

# **dacor**®

The Life of the Kitchen.®

## PARTS CATALOG

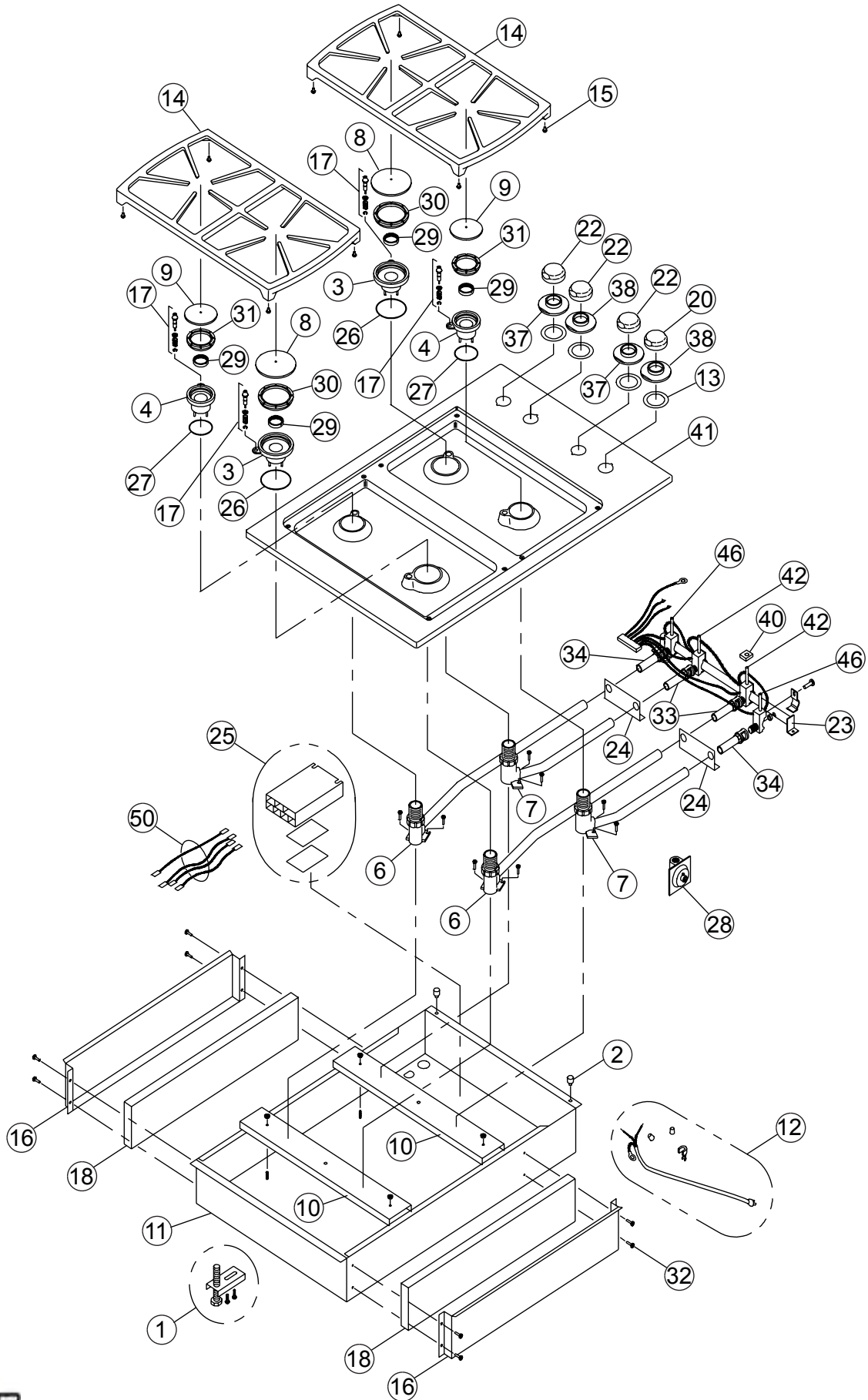
### **SGM304 Cooktop**

<b>Page</b>	<b>Description</b>
<b>2</b>	<b>Assembly Drawing Before SN MF0000000</b>
<b>3</b>	<b>Parts List Before SN MF0000000</b>
<b>4</b>	<b>Cooktop Assembly After SN MF0000000</b>
<b>5</b>	<b>Cooktop Parts List After SN MF0000000</b>
<b>6</b>	<b>Chassis Assembly After SN MF0000000</b>
<b>7</b>	<b>Chassis Parts List After SN MF0000000</b>

**IMPORTANT:** SGM304 units with a serial number of MF0000000 or later are equipped with a 14,000 BTU (D size) burner and other minor changes. Please take care when ordering parts and check the serial number so that you do not order incorrect parts or confuse newer units with older cooktops that do not have the 14,000 BTU burner.

Revised 08-29-2014

# SGM304 - Assembly Drawing Before Serial # MF000000

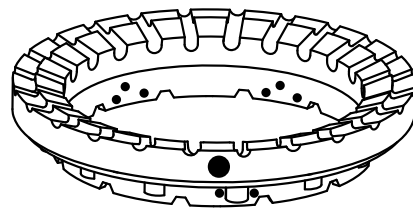
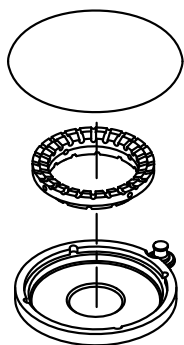


# SGM304 - Parts List Before Serial # MF000000

ITEM	PART#	Description
1	12277	Bracket, Hold Down (set of 2)
2	83578	Bumper, Rubber (Chassis)
3	62952	Burner Base (C)
4	62951	Burner Base (B)
6	82674	Burner Tube (Long)
7	82673	Burner Tube (Short)
8	86523BM	Burner Cap (C)
9	86524BM	Burner Cap (B)
10	26209	Channel Support
11	27432	Chassis Box
12	82562	Cord Assy.
13	82973	Gasket, Spill Protector
14	82108BM	Grate
15	66916	Grate, Support Pad (set of 4)
16	26011	Heat Shield
17	76482-001 <sup>1</sup>	Ignitor Assy. <sup>1</sup>
18	26054	Insulation Heat Shield (2 pieces)
20	82977	Knob with Logo
22	82974	Knob w/o Logo
23	86470	Manifold w/o Valves
24	26016	Manifold Bracket
25	86526	Spark Module Assy.
26	86397	O-Ring (C)

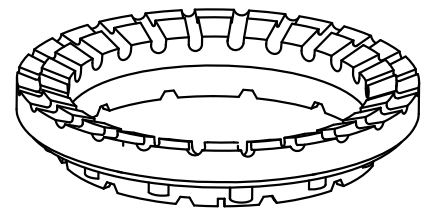
ITEM	PART#	Description
27	86937	O-Ring (B)
28	82540	Regulator
29	86405	Ring, Nut
30	86407	Ring, Burner (C)
31	86408	Ring, Burner (B)
32	83306	Screw
33	86373	Air Shutter (C)
34	86372	Air Shutter (B)
37	62284SSL	Spill Protector, Left
38	62284SSR	Spill Protector, Right
40	103789	Switch, Micro (Ignition)
41	26046	Top Frame, Black
	36174S	Top Frame, Stainless
42	86484	Valve (Large NG)
	86486	Valve (Large LP)
	86488	Valve, (Large NG/HA)
	86490	Valve, (Large LP/HA)
46	86483	Valve (Medium NG)
	86485	Valve (Medium LP)
	86487	Valve (Medium NG/HA)
	86489	Valve (Medium LP/HA)
50	86531	Wire Harness, Ignitors

<sup>1</sup> **IMPORTANT:** The ignitor assembly and burner rings were redesigned on later versions of the cooktop. The older designs are no longer available. The new ignitor design only works with the newer burner ring design, while the new burner ring design is compatible with all versions of the ignitor assembly. When replacing the ignitor assembly check to make sure the latest version of the burner ring is installed. If the burner ring has a hole on its side (see diagrams below), it must be replaced with correct size (B or C) of the newer version. Items 30 and 31 above list the part number for the newer versions of the burner ring.



**Burner Ring with Hole (old)**

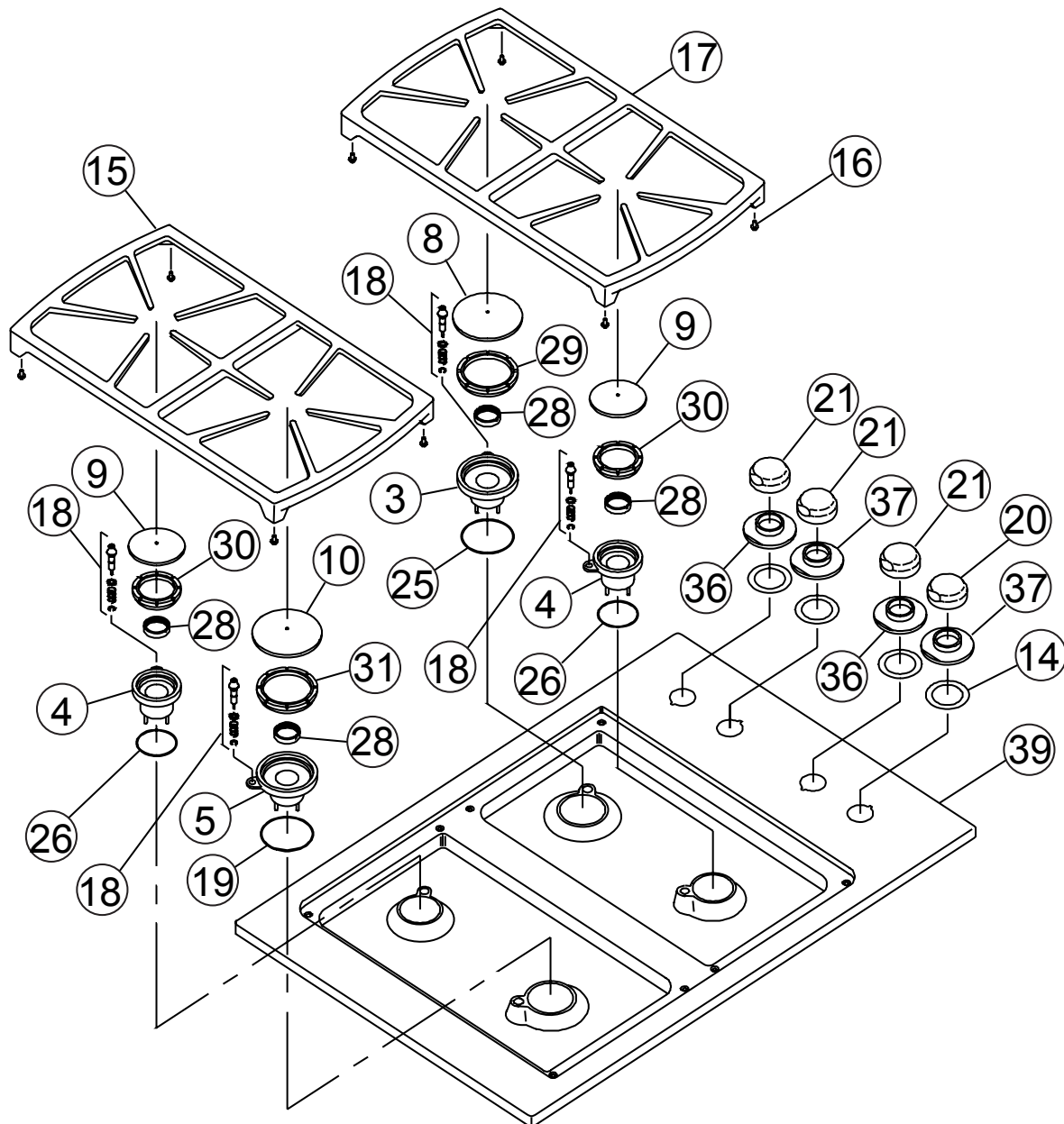
Does not work with new version of ignitor assembly.



**Burner Ring without Hole (new)**

Works with all version of ignitor assembly.

# SGM304 - Cooktop Assembly After Serial # MF000000

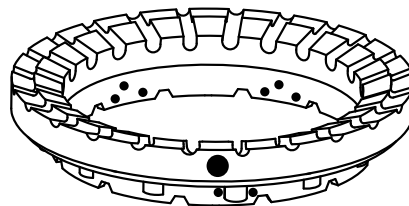
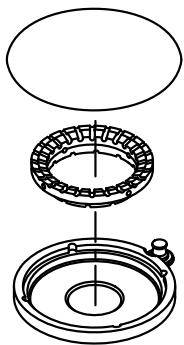


# SGM304 - Cooktop Parts List After Serial # MF000000

ITEM	PART#	Description
3	62952	Burner Head (C)
4	62951	Burner Head (B)
5	62953	Burner Head (D)
8	86523SB	Burner Cap (C)
9	86524SB	Burner Cap (B)
10	72435SB	Burner Cap (D)
14	82973	Gasket, Spill Protector
15	72469SB	Grate Pack for B and D size burners
16	66916	Grate, Support Pads (set of 4)
17	72466SB	Grate Pack for B and C size burners
18	76482-001 <sup>1</sup>	Ignitor Assy. <sup>1</sup>
19	86395	O-Ring (D)
20	82977	Knob with Logo
21	82974	Knob w/o Logo

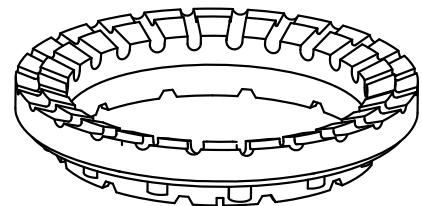
ITEM	PART#	Description
25	86397	O-Ring (C)
26	86937	O-Ring (B)
28	86405	Ring, Nut
29	86407 <sup>2</sup>	Ring, Burner (C) <sup>2</sup>
30	86408 <sup>2</sup>	Ring, Burner (B) <sup>2</sup>
31	86918 <sup>2</sup>	Ring, Burner (D) <sup>2</sup>
32	72929 <sup>2</sup>	Burner Ring Set (not shown) <sup>2</sup>
36	62284SSL	Spill Protector, Left
37	62284SSR	Spill Protector, Right
39	36418BP	Top Frame, Black
	36421S	Top Frame, Stainless
	36418RP	Top Frame, White

<sup>1</sup> **IMPORTANT:** The ignitor assembly and burner rings were redesigned on later versions of the cooktop. The older designs are no longer available. The new ignitor design only works with the newer burner ring design, while the new burner ring design is compatible with all versions of the ignitor assembly. When replacing the the ignitor assembly check to make sure the latest version of the burner ring is installed. If the burner ring has a hole on its side (see diagrams below), it must be replaced with correct size (B, C or D) of the newer version. Items 31, 35 and 39 above list the part numbers for the newer versions of the burner ring.



**Burner Ring with Hole (old)**

Does not work with new version of ignitor assembly.

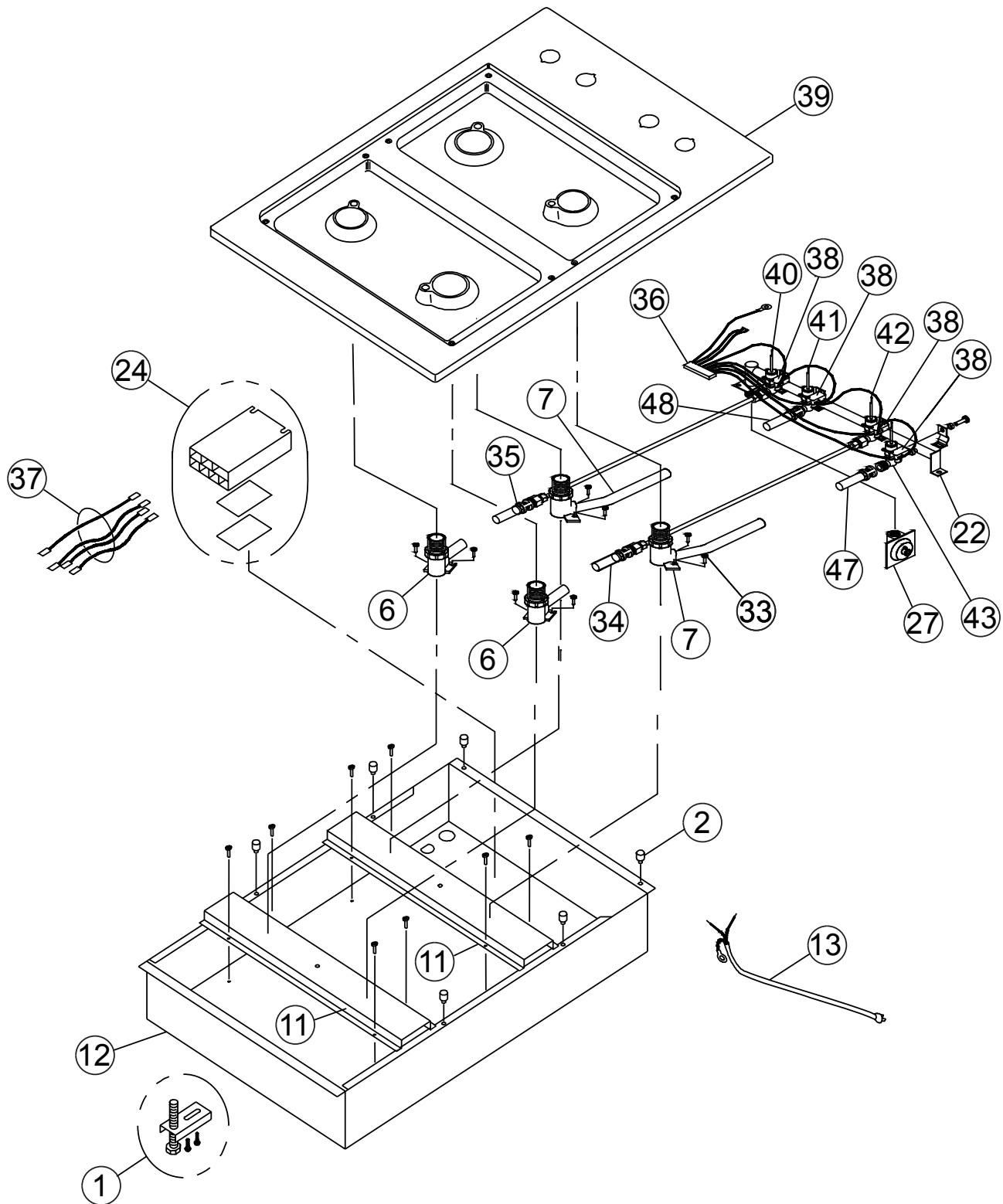


**Burner Ring without Hole (new)**

Works with all version of ignitor assembly.

<sup>2</sup>For complete burner set of burner rings, order part number 72929. 72929 contains 2 B size rings, 1 C size ring and 1 D size ring.

# SGM304 - Chassis Assembly After Serial # MF0000000





# SGM304 - Chassis Parts List After Serial # MF000000

ITEM	PART#	Description
1	12269	Bracket, Hold Down (set of 2)
2	83578	Bumper, Rubber (Chassis)
6	62144	Burner Tube (Short) Base
7	82673	Burner Tube (Long) Base
11	46238	Channel Support
12	46224	Chassis Box
13	72765	Cord Assy.
22	62875 <sup>1</sup>	Manifold, NG with Valves
	701948-01 <sup>2</sup>	Manifold, NG with Valves
	62889 <sup>1</sup>	Manifold, LP with Valves
	701948-02 <sup>2</sup>	Manifold, LP with Valves
	62888 <sup>1</sup>	Manifold, NG/HA with Valves
	701948-03 <sup>2</sup>	Manifold, NG/HA with Valves
	62890 <sup>1</sup>	Manifold, LP/HA with Valves
24	86526	Spark Module Assy.
27	82540	Regulator
33	83306	Screw
34	62891 <sup>1</sup>	Burner Tube with Shutter, NG
	701940-05 <sup>2</sup>	Burner Tube with Shutter, NG
	62893 <sup>1</sup>	Burner Tube with Shutter, LP
	701940-06 <sup>2</sup>	Burner Tube with Shutter, LP
	62892 <sup>1</sup>	Burner Tube with Shutter, NG/HA
	701940-07 <sup>2</sup>	Burner Tube with Shutter, NG/HA
	62894 <sup>1</sup>	Burner Tube with Shutter, LP/HA
701940-08 <sup>2</sup>	Burner Tube with Shutter, LP/HA	
35	62929 <sup>1</sup>	Burner Tube with Shutter, NG
	701940-01 <sup>2</sup>	Burner Tube with Shutter, NG
	62931 <sup>1</sup>	Burner Tube with Shutter, LP
	701940-02 <sup>2</sup>	Burner Tube with Shutter, LP
	62930 <sup>1</sup>	Burner Tube with Shutter, NG/HA
	701940-03 <sup>2</sup>	Burner Tube with Shutter, NG/HA
	62932 <sup>1</sup>	Burner Tube with Shutter, LP/HA
701940-04 <sup>2</sup>	Burner Tube with Shutter, LP/HA	
36	72438	Wiring Harness
37	62806	Ignitor Wires
38	86576	Switch, Micro (Ignition)
39	36418BP	Top Frame, Black
	36421S	Top Frame, Stainless
	36418RP	Top Frame, White

<sup>1</sup>Rev N and earlier units.

<sup>2</sup>Rev P and later units.

ITEM	PART#	Description
40	66592 <sup>1</sup>	Valve, B, NG
	107594-01 <sup>2</sup>	Valve, B, NG
	66599 <sup>1</sup>	Valve, B, LP
	107594-04 <sup>2</sup>	Valve, B, LP
	66595 <sup>1</sup>	Valve, B, NG/HA
	107594-02 <sup>2</sup>	Valve, B, NG/HA
	66603 <sup>1</sup>	Valve, B, LP/HA
	107594-05 <sup>2</sup>	Valve, B, LP/HA
41	86484 <sup>1</sup>	Valve, C, NG
	107594-02 <sup>2</sup>	Valve, C, NG
	86486 <sup>1</sup>	Valve, C, LP
	107594-05 <sup>2</sup>	Valve, C, LP
	86488 <sup>1</sup>	Valve, C, NG/HA
	107594-03 <sup>2</sup>	Valve, C, NG/HA
	86490 <sup>1</sup>	Valve, C, LP/HA
	107594-06 <sup>2</sup>	Valve, C, LP/HA
42	66251 <sup>1</sup>	Valve, D, NG
	107594-03 <sup>2</sup>	Valve, C, NG
	66253 <sup>1</sup>	Valve, D, LP
	107594-06 <sup>2</sup>	Valve, D, LP
	66252 <sup>1</sup>	Valve, D, NG/HA
	107594-07 <sup>2</sup>	Valve, C, NG/HA
	66000 <sup>1</sup>	Valve, D, LP/HA
107594-08 <sup>2</sup>	Valve, D, LP/HA	
43	86483 <sup>1</sup>	Valve, B, NG
	107594-01 <sup>2</sup>	Valve, B, NG
	86485 <sup>1</sup>	Valve, B, LP
	107594-04 <sup>2</sup>	Valve, B, LP
	86487 <sup>1</sup>	Valve, B, NG/HA
	107594-02 <sup>2</sup>	Valve, B, NG/HA
	86489 <sup>1</sup>	Valve, B, LP/HA
107594-05 <sup>2</sup>	Valve, B, LP/HA	
47	86372 <sup>1</sup>	Air Shutter (B) <sup>1</sup>
	701939-01 <sup>2</sup>	Burner Tube with Shutter, NG <sup>2</sup>
	701939-02 <sup>2</sup>	Burner Tube with Shutter, LP <sup>2</sup>
	701939-03 <sup>2</sup>	Burner Tube with Shutter, NG/HA <sup>2</sup>
	701939-04 <sup>2</sup>	Burner Tube with Shutter, LP/HA <sup>2</sup>
48	86373 <sup>1</sup>	Air Shutter (C) <sup>1</sup>
	701939-05 <sup>2</sup>	Burner Tube with Shutter, NG <sup>2</sup>
	701939-06 <sup>2</sup>	Burner Tube with Shutter, LP <sup>2</sup>
	701939-07 <sup>2</sup>	Burner Tube with Shutter, NG/HA <sup>2</sup>
	701939-08 <sup>2</sup>	Burner Tube with Shutter, LP/HA <sup>2</sup>
-	62933	Ignitor Wire Jacket (not shown)

