



The Life of the Kitchen.®

PARTS CATALOG

RSD Range

IMPORTANT: This product may have some parts that are **No Longer Available (NLA)**. If the part you need is no longer available, please contact Dacor for a possible solution:

DACOR CARES PROGRAM NLA Part Locator Service

Customer Contact Number:

(800) 793-0093 ex. 2813
Hours: 6:00 AM - 5:00 PM Pacific Time

Service Agent/Technician Contact Number:

(800) 793-0093 ex. 3814
Hours: 7:00 AM - 4:00 PM Pacific Time

Web Inquiries: www.dacor.com/dacorcares

Email Inquiries: dacorcares@dacor.com

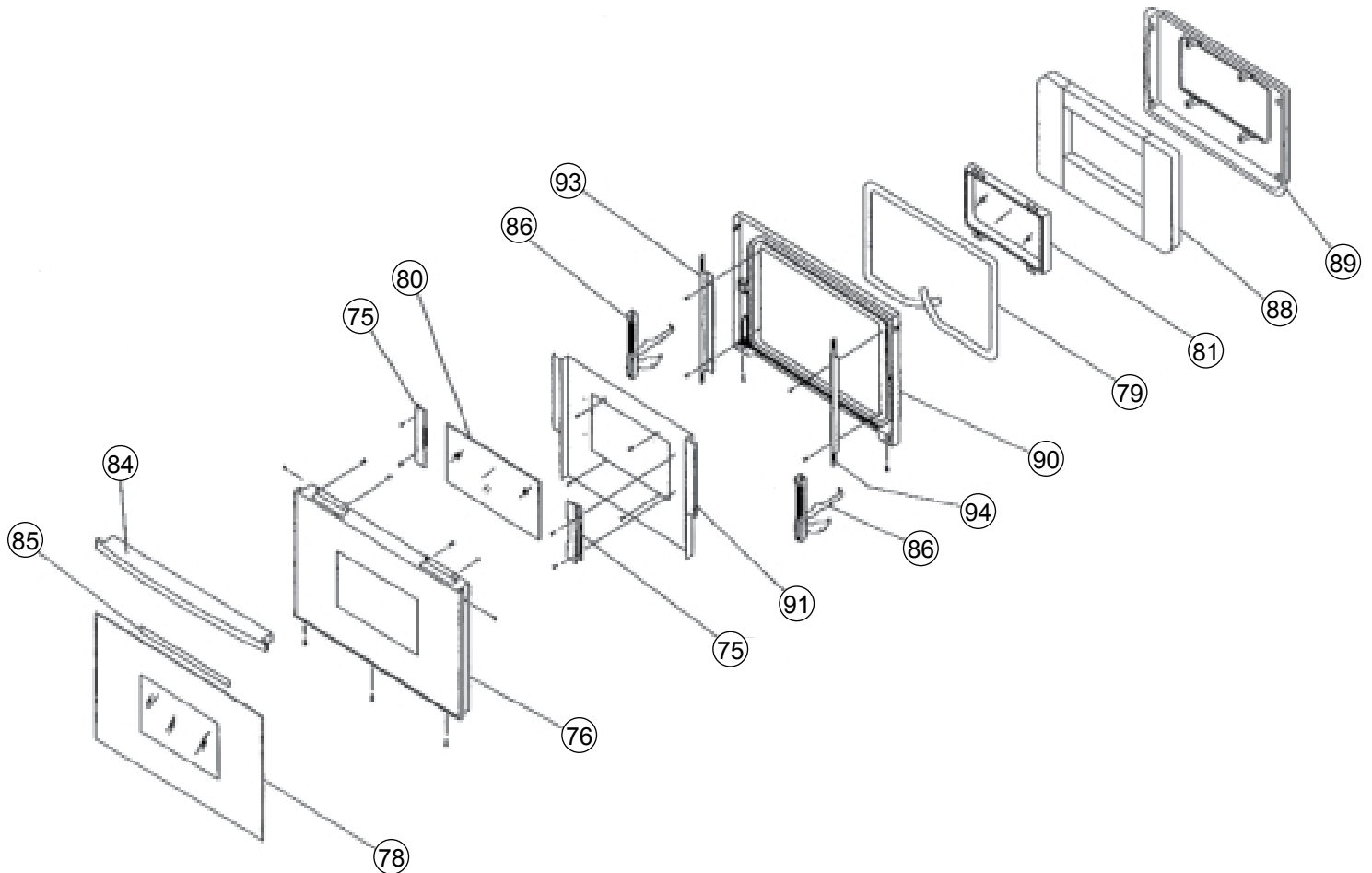
Please provide the following information:

- Your name and phone number
- Product model number
- Product serial number
- The part number(s) you need

Page	Description
2	Door Assembly (Rev D and Earlier)
3	Door Assembly (Rev E and Later)
4	Sub-Chassis Assembly
5	Base Assembly
6	Gas Tubing/Control Assembly
7	Oven Case Assembly
8	Manifold Assembly
9	Control Panel/Trim
10	Top Frame Assembly

Revised 09-14-2015

RSD Range Door Assembly (Rev D and Earlier)

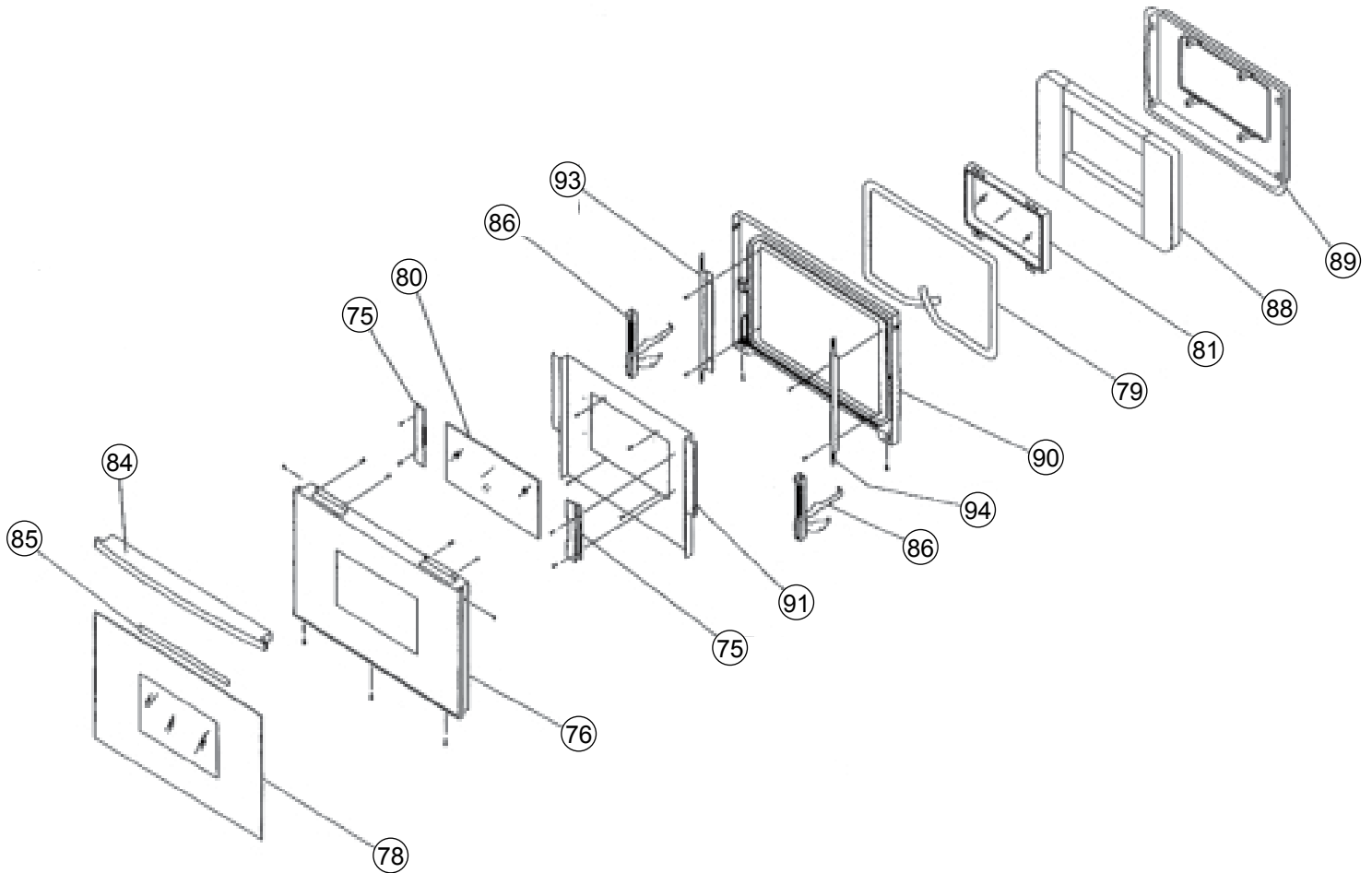


Item	Part	Description
75	-----	OBSOLETE
76	27607[*]	FRAME, GLASS MOUNTING
78	86360	GLASS/OVERLAY ASSEMBLY
79	72027	GASKET, DOOR
80	-----	OBSOLETE
81	12470	WINDOW PACK (10X16, double)
	82790BP	"J"-TRIM WINDOW PACK, (black porcelain)
	26429	THERMOCORD, WINDOW PACK
84	82122[*]	HANDLE
85	83224	TAPE, DOUBLE SIDED, .30 THK

Item	Part	Description
86	82508	HINGE (stainless front)
	82883	HINGE (use for black and white units)
88	80172	INSULATION
89	27459BP	LINER, INNER
90	86746	LINER, OUTER
91	26575B	HEAT SHIELD
93	26577	SHIELD, LEFT
94	26576	SHIELD, RIGHT

* Letter at end of part number indicates color:
 A = almond
 B = black
 R = arctic white

RSD Range Door Assembly (Rev E and Later)



Item	Part	Description
75	-----	OBSOLETE
76	27607[*]	FRAME, GLASS MOUNTING
78	86360	GLASS/OVERLAY ASSEMBLY
79	72020	GASKET, DOOR
80	-----	OBSOLETE
81	72148	WINDOW PACK
84	82122[*]	HANDLE
85	83224	TAPE, DOUBLE SIDED, .30 THK

Item	Part #	Description
86	82508	HINGE (stainless front)
	82883	HINGE (use for black and white units)
88	80213	INSULATION
89	27728BP	LINER, INNER
90	27460BP	LINER, OUTER
91	36620B	HEAT SHIELD
93	36617	SHIELD, LEFT
94	36618	SHIELD, RIGHT
-	83618	DOOR BUMPERS (not shown)

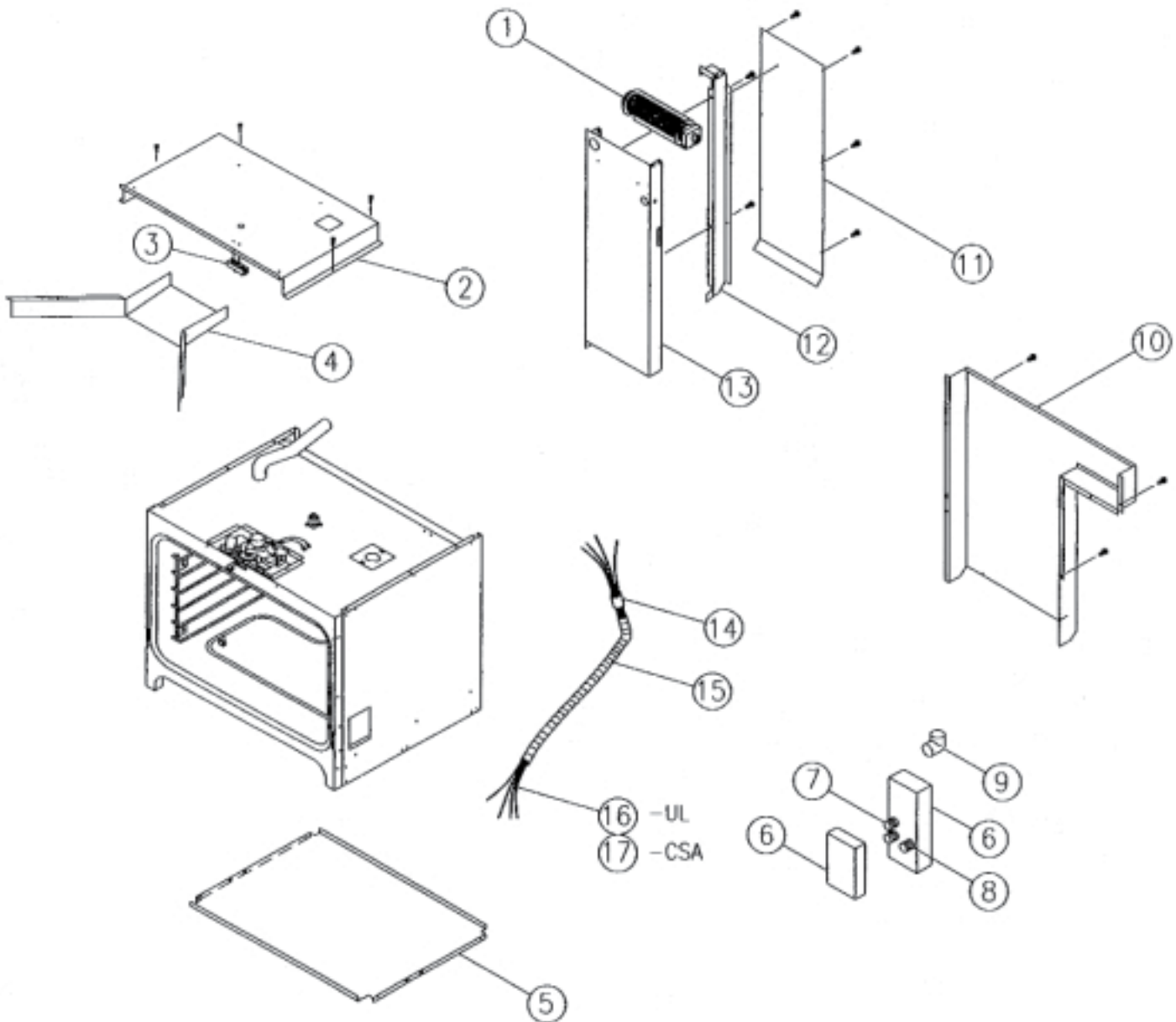
* Letter at end of part number indicates color:

A = almond

B = black

R = arctic white

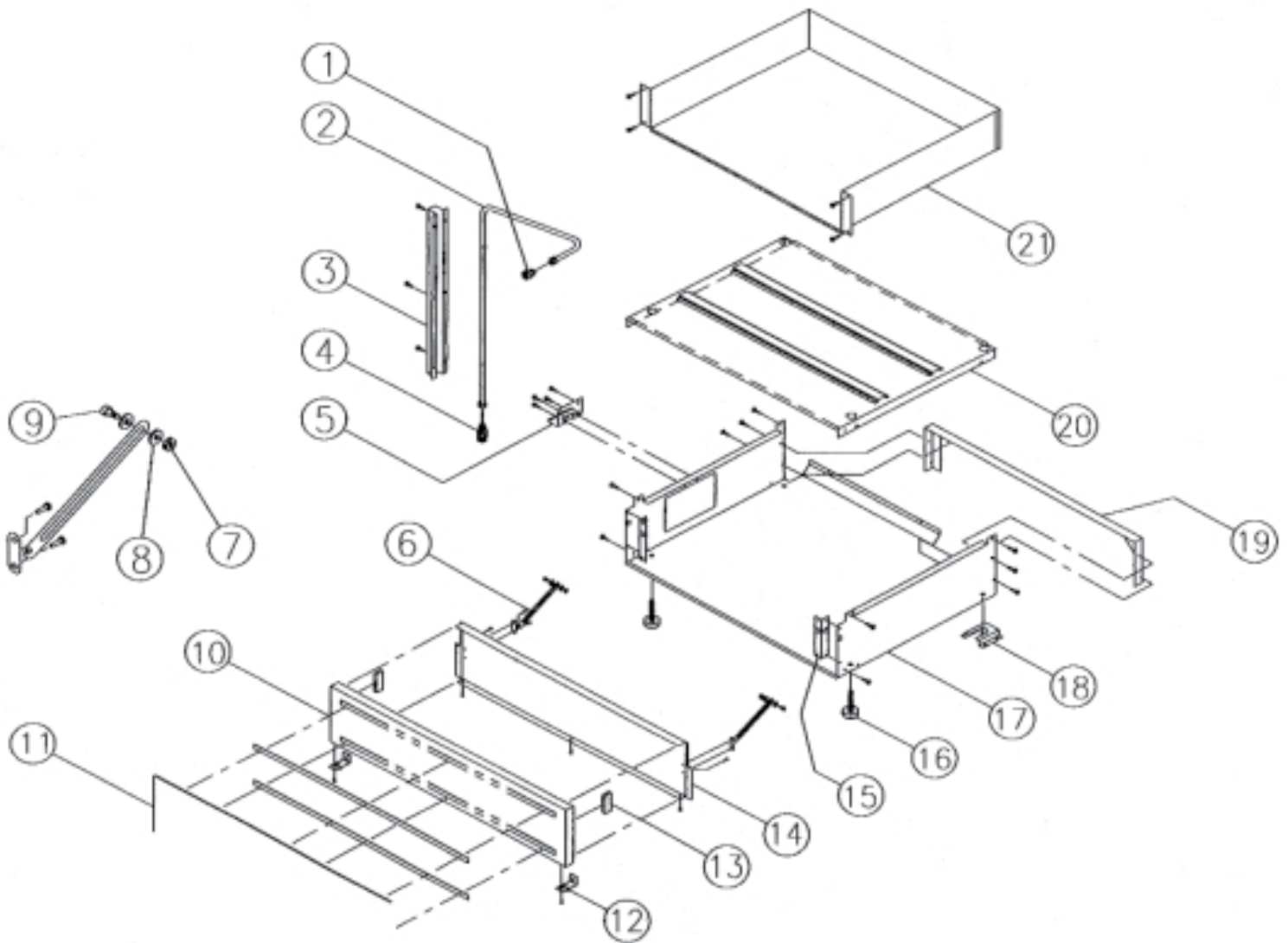
RSD Range Sub-Chassis Assembly



Item	Part #	Description
1	82986	COOLING FAN
2	26044	SUB CHASSIS
3	83566	TERMINAL BLOCK, 2-POLE
4	27455	DUCT TRANSITION
5	26034	HEAT SHIELD
6	12400	FUSE BOX ASSEMBLY
7	83111	FUSE, 15 AMP
	83110	FUSE, 15 AMP
8	82506	CSA SINGLE SOCKET
	83112	FUSE, 30 AMP

Item	Part #	Description
9	82195	1/2 FLEX, 90 DEGREE CONNECTOR
10	27094	BACK COVER
11	26084	EXHAUST COVER
12	27043	DIVIDER
13	26085	EXHAUST DUCT
14	83059	CONNECTOR, 1/2 FLEX, STRAIGHT
15	26420	CONDUIT
16	86672	LEAD WIRE KIT, (UL)
17	86673	LEAD WIRE KIT, (CSA)

RSD Range Base Assembly



Item	Part #	Description
1	83050	ADAPTER, 3/8 FPT TO 3/8 TUBE
2	82348	GAS TUBE
3	26134	RACEWAY, GAS TUBE
4	82208	ADAPTER, 1/2 MNPT TO 3/8 TUBE
5	26130	BRACKET, INLET FITTING
6	83068	SUPPORT, STORAGE PANEL ¹
7	83048	NUT, 8-32 KEPS
8	83194	WASHER, NYLON
9	83220	SHOULDER SCREW
10 & 11	13059	FRONT PANEL (stainless)
	26851[*]	FRONT PANEL

Item	Part #	Description
12	83044	HINGE
13	83237	CATCH, MAGNETIC
14	26135	LINER, STORAGE PANEL
15	26052	BRKT, STORAGE COMP. MTG.
16	83034	LEVELER, ADJUSTABLE, 5/16"
	83359	LEVELER, ADJUSTABLE, 1/2"
17	27144	ASSY, BASE, RANGE (uses 1/2" leveler)
18	26041	BRACKET, ANTI-TIP
19	27048	ASSY, STIFFENER, BASE
20	27080	EXHAUST PLATE ASSEMBLY
21	27068B	ASSEMBLY, STORAGE COMPARTMENT

¹ Includes items 7, 8 and 9.

* Letter at end of part number indicates color:

A = almond

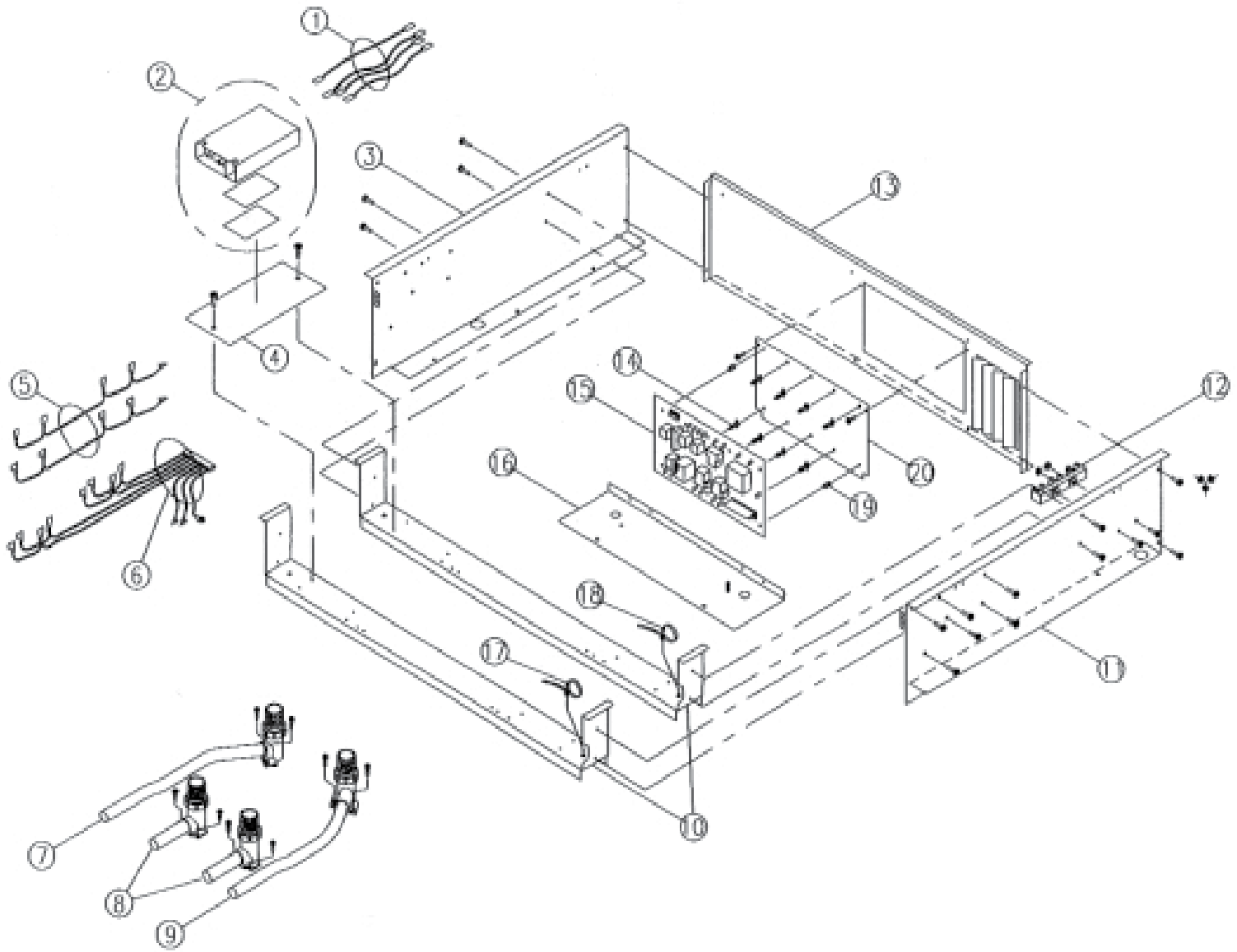
B = black

R = arctic white



Part no longer available? Contact Dacor: (800) 793-0093 ex. 3814

RSD Gas Tubing/Control Assembly



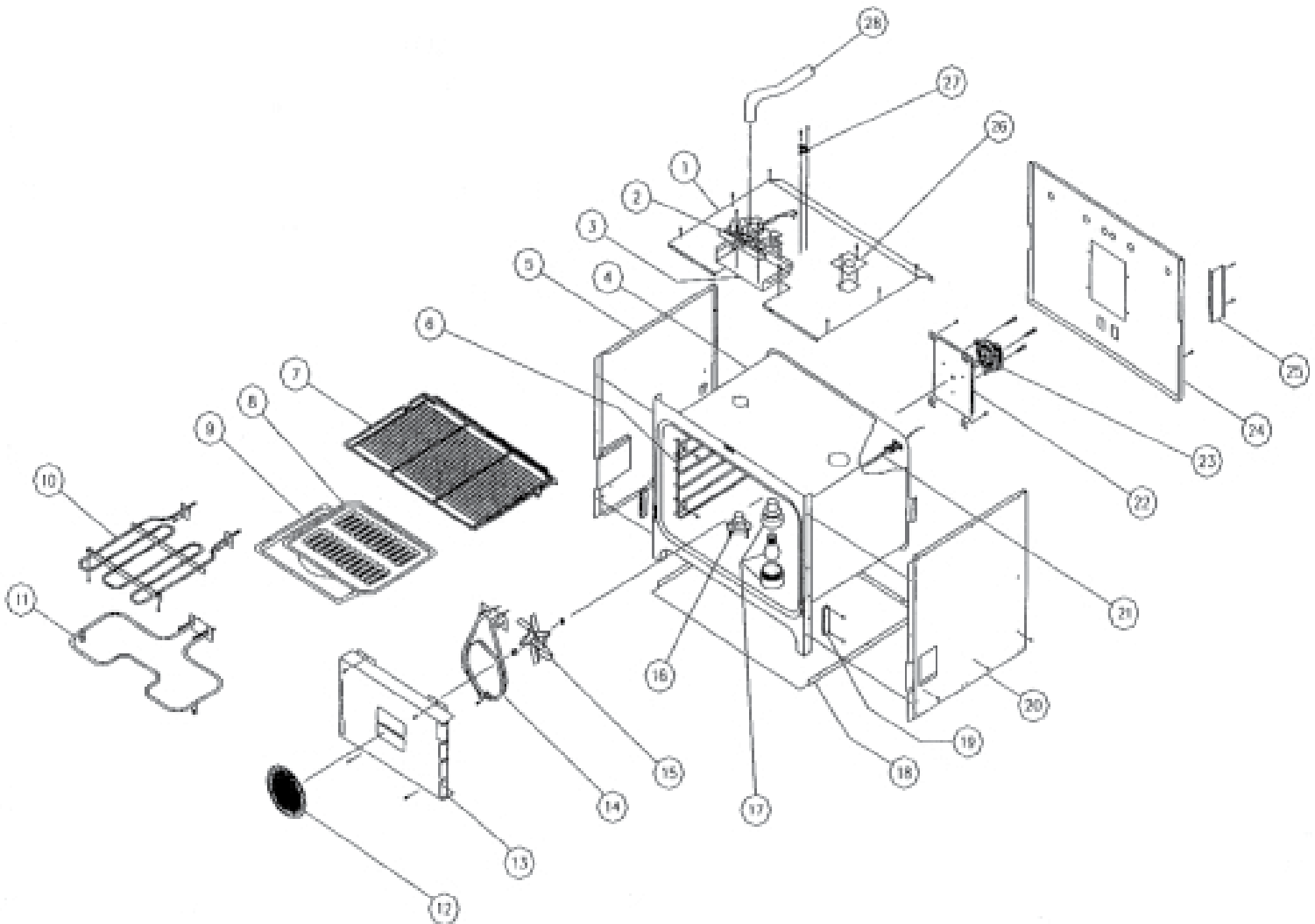
Item	Part #	Description
1	86079	IGNITER WIRES (set of 4)
2	86526	SPARK MODULE, 4 POINT ¹
3	26118	SIDE SUPPORT ASSEMBLY, LEFT
4	26027	SPARK BOX PLATE
5	86081	JUMPER WIRES, LIGHTS/SWITCHES
6	86080	IGNITER HARNESS
7	82035	BURNER TUBE/BASE, LEFT REAR
8	82039	BURNER TUBE/BASE, FRONT
9	82038	BURNER TUBE/BASE, RIGHT REAR
10	26068	BURNER SUPPORT CHANNEL
11	27000	SIDE SUPPORT ASSEMBLY, RIGHT

¹ Attaches with Velcro.

Item	Part #	Description
12	82151	TERMINAL BLOCK
13	27038	REAR PANEL ASSEMBLY
14	83538	PCB SUPPORT, NYLON
15	92028	RELAY PCB, 105 C
16	27066	ASSEMBLY, AIR BAFFLE
17	83037	PUSH TIE
18	83037	PUSH TIE
19	83053 ²	STANDOFF, 6/32 X .438 LG, 1/4 HEX
20	26072	PCB MOUNTING PLATE
-	82112	HARNESS, ERC TO RELAY PCB

² Two used. Each requires screw (PN 83054) and nut (PN 83308).

RSD Range Oven Case Assembly

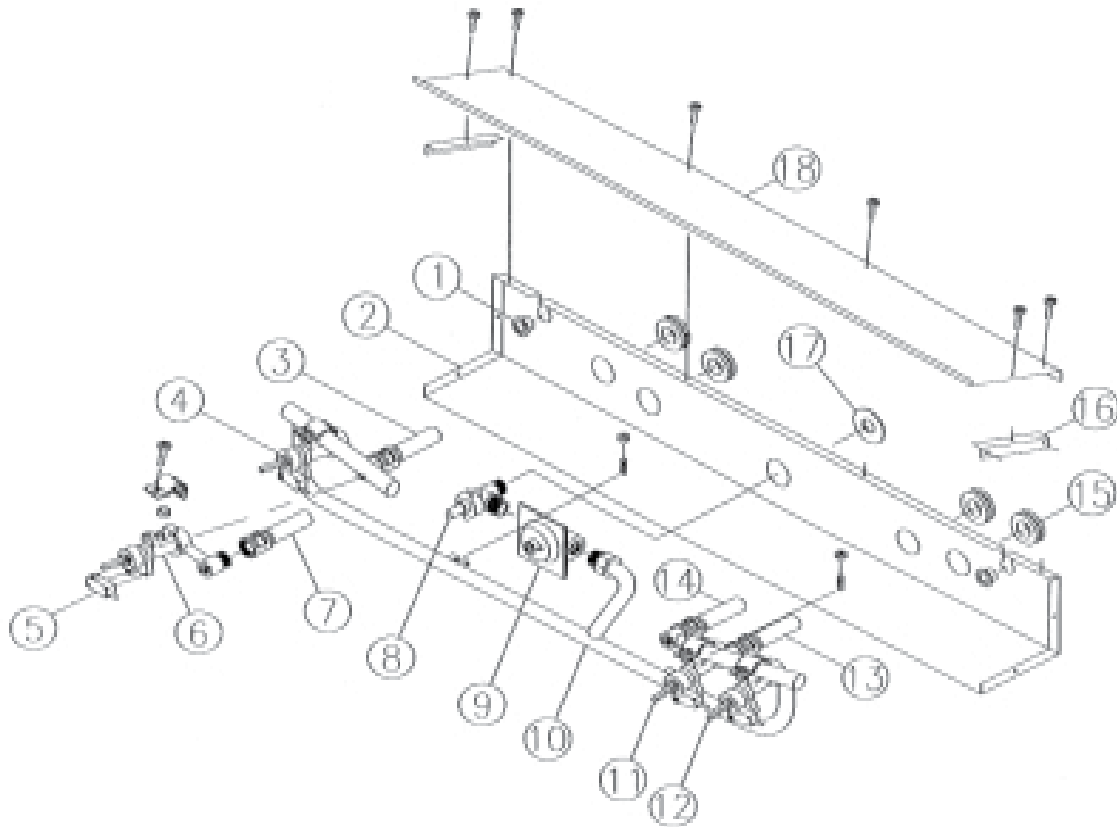


Item	Part #	Description
1	26629	CASE TOP
2	701582 ¹	DOOR LATCH MECHANISM
3	701582 ¹	LATCH PLATE
4	-----	OVEN CELL (not replaceable)
5	27454	ASSY, CASE SIDE, LEFT
6	82650	SUPPORT RACK
7	82230	OVEN RACK
8	82106	PLATED GRILL, BROILER PAN
9	82107	PORCELAIN PAN
10	82817	BROIL ELEMENT, 3000W, 240V
11	82880	BAKE ELEMENT, 2200W, 240V
12	82891	FILTER, CONVECTION
13	26655BP	CONVECTION BAFFLE
14	82377	CONVECTION ELEMENT, 240V
15	82651	FAN BLADE, CONVECTION
16	82826	SMOKE ELIMINATOR

Item	Part #	Description
17	701750	LIGHT SERVICE KIT
	82089	LIGHT BULB
18	26034	HEAT SHIELD, STORAGE
19	82851	RECEPTACLE, HINGE, DOOR
20	27453	ASSY, CASE SIDE, RIGHT
21	86663	TEMPERATURE SENSOR
22	27470	ASSY, CONV. MOTOR MOUNTING PLATE
23	82647	CONVECTION MOTOR
24	26447	CASE BACK
25	26357	TERMINAL BLOCK COVER
26	26560	COVER PLATE, LIGHT
27	82987	THERMAL SWITCH, HI-TEMP CUTOUT
28	82240	EXHAUST TUBE
-	13425B/S/R	3 INCH SIDE PANEL, RIGHT
-	13426B/S/R	3 INCH SIDE PANEL, LEFT

¹Must order kit # 701582. Includes latch, latch plate and 6 screws.

RSD Range Manifold Assembly



Item	Nat. Gas Part #	LP Part #	Description
1	83061	83061	BUSHING, 5/8 DIA
2	27095 ¹	27095 ¹	ASSY, MANIFOLD ENCLOSURE
3	86373	86373	C-AIR SHUTTER
4	86088 ²	86089 ²	C-VALVE W/JETS, LEFT REAR, EARLY
	86305 ³	86307 ³	C-VALVE W/JETS, LEFT REAR, LATER
5	86420	86420	MICROSWITCH
6	86083 ²	86082 ²	B-VALVE W/JETS, LEFT FRONT, EARLY
	86275 ³	86277 ³	B-VALVE W/JETS, LEFT FRONT, LATER
7	86372	86372	B-AIR SHUTTER
8	82080	82080	GAS VALVE, 90, 3/8 NPT
9	82540 ⁴	82540 ⁴	REGULATOR, 1/2 X 1/2 ⁴
10	62121 ⁵	62099 ⁵	MANIFOLD ASSEMBLY, COMPLETE

Item	Nat. Gas Part #	LP Part #	Description
11	86087 ²	86086 ²	C-VALVE W/JETS, RIGHT FRONT, EARLY
	86298 ³	86302 ³	C-VALVE W/JETS, RIGHT FRONT, LATER
12	86085 ²	86084 ²	B-VALVE W/JETS, RIGHT REAR, EARLY
	86280 ³	86296 ³	B-VALVE W/JETS, RIGHT REAR, LATER
13	86372	86372	B-AIR SHUTTER
14	86373	86373	C-AIR SHUTTER
15	83058	83058	GROMMET, EPDM RUBBER
16	26097	26097	BRACKET, MTG., ENCLOSURE
17	83067	83067	SEAL, SHUT-OFF VALVE
18	26098	26098	ENCLOSURE TOP, MANIFOLD
-	62058	62058	BRASS PLUG, MANIFOLD (not shown)

¹ After 6/25/96 this part number changed to 27095. Pry-out plug (PN 83387) is needed to block the right hole when replacing older enclosures.

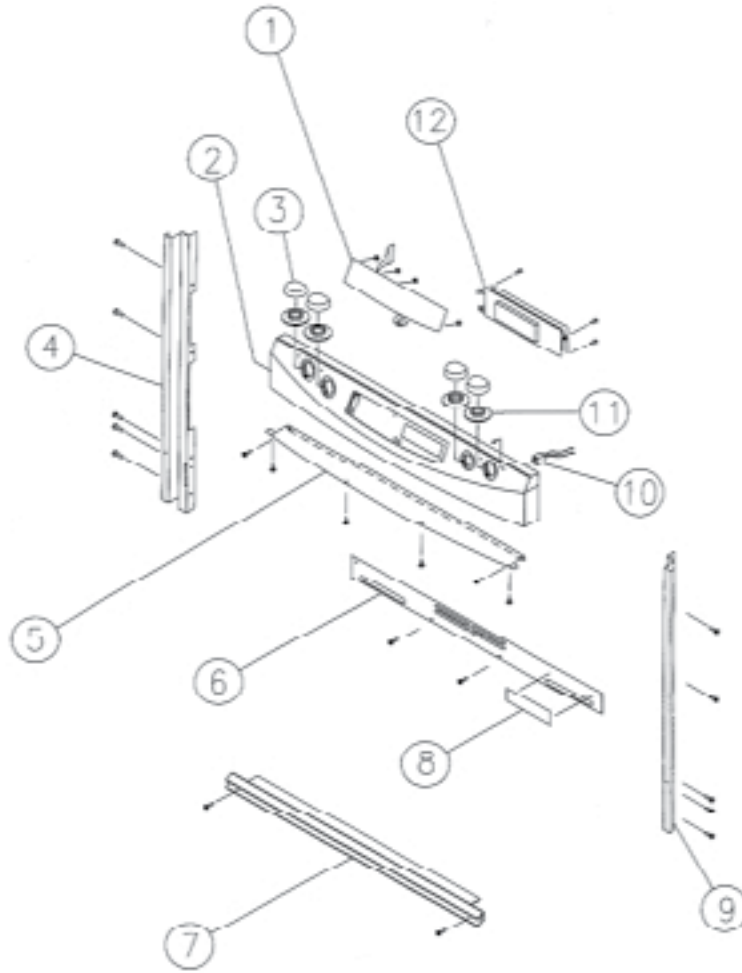
² For units prior to serial number FD7220084.

³ For units starting at serial number FD7220084 and later.

⁴ Replace bushing (PN 62437), when replacing regulator.

⁵ Replace with Regional Service Manager approval only.

RSD Range Control Panel/Trim



Item	Part #	Description
1	82063[*] ¹	MEMBRANE
2	76480[*] ^{1, 2, 3}	BEZEL ASSEMBLY ⁴
3	82016[*]	KNOB
4	26143[*]	TRIM POST, LEFT
5	26119B	CONTROL BEZEL TRIM
6	26638B	INTAKE GRILL

Item	Part #	Description
7	82229[*]	EXHAUST GRILL
8	82873	NAMEPLATE, SELF CLEAN
9	26139[*]	TRIM POST, RIGHT
10	82233	INDICATOR LIGHT
11	82036[*]	SPILL PROTECTOR
12	62692	OVEN CONTROL

* Letter at end of part number indicates color:

- A = almond
- B = black
- R = arctic white

¹ Use black for almond units.

² Four indicator light assemblies (PN 82233) are also required for the following units:

Almond and black models before serial number FA5290007.

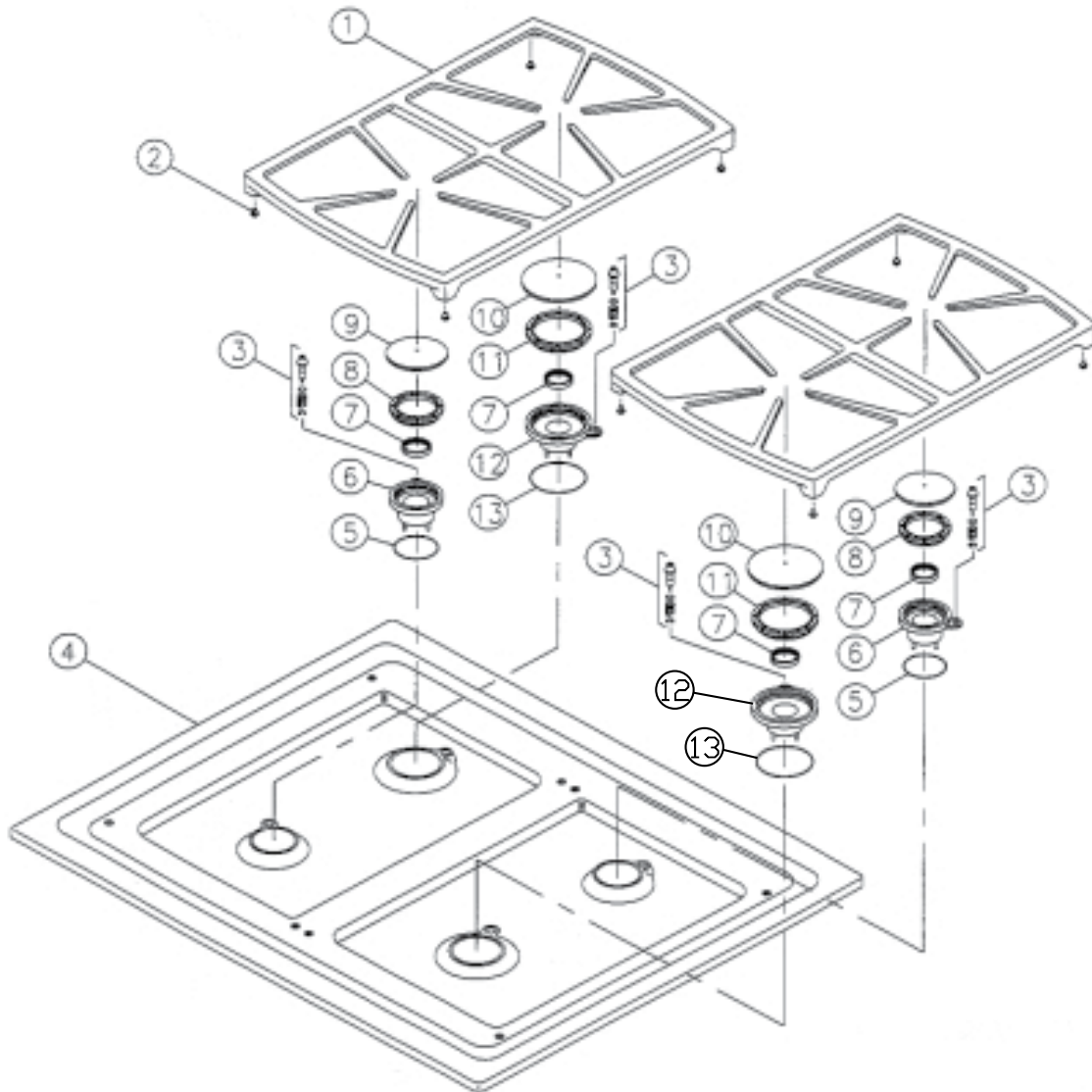
Stainless models before serial number FA528001.

Arctic white models before serial number FA5280032.

³ Bezel alone: 92349[*].

⁴ Includes membrane and mounting brackets.

RSD Range Top Frame Assembly



Item	Part #	Description
1	62736BM ¹	GRATE PACK ¹
2	66916	GRATE SUPPORT PAD KIT (4 pads per kit)
3	76482-001	IGNITOR ASSEMBLY
4	26000[**]	TOP FRAME
5	86937	O-RING, B - BURNER HEAD
6	62951	B - BURNER HEAD ASSEMBLY, W/IGNITER
7	86405	BRASS NUT; B/C - BURNER HEAD

Item	Part #	Description
7	86405	BRASS NUT; B/C - BURNER HEAD
8	86408 ²	B - BURNER RING
9	86524BM	B - BURNER CAP, (medium sized)
10	86523BM	C - BURNER CAP, (large sized)
11	86407 ²	C - BURNER RING
12	62952	C - BURNER HEAD ASSEMBLY, W/IGNITER
13	86397	O-RING, C - BURNER HEAD

¹ On Rev. E and earlier units, all 3 grates must be replaced at the same time due to a grate dimension change.

** Letters at end of part number indicate color:

- AP = almond
- BP = black
- RP = arctic white
- SG = stainless

² Burner ring kit part # 82953 (set of 4) should be used when replacing all 4 igniters or burner assemblies. Units with a revision of N or higher will have the individual part number (old) style of rings.