

dacor

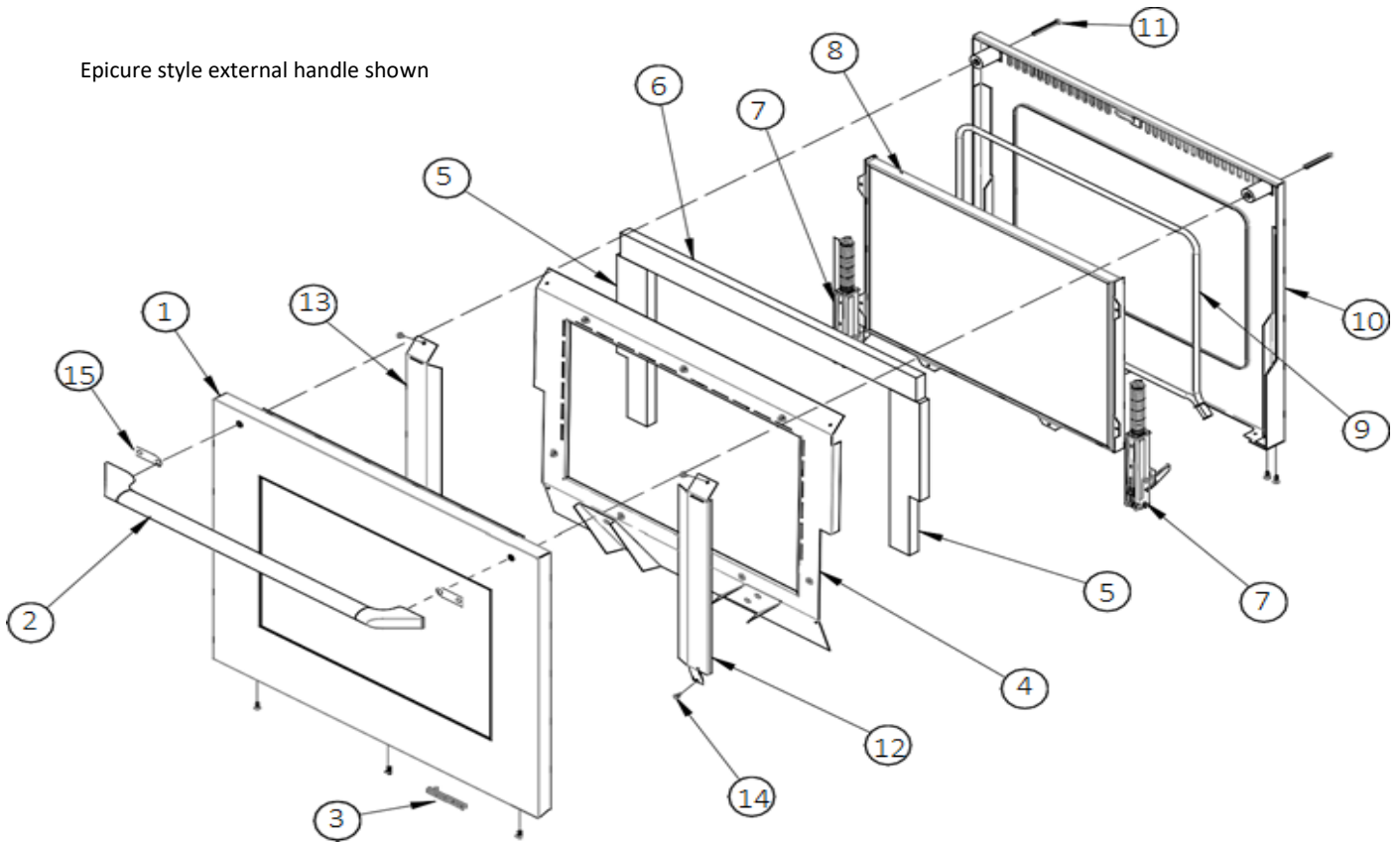
LET THE SHOW BEGIN

RNWO227



Wall Oven Door Assembly

Epicure style external handle shown



Complete Door Assemblies	
Part #	Description
701945-01	Complete Top Door Asy, EB
701813-01	Complete Top Door Asy, ES
701945-11	Complete Top Door Asy, EW
701933-01	Complete Top Door Asy, ES
702815-03	Complete Top Door Asy, PB
702815-01	Complete Top Door Asy, PS
702815-05	Complete Top Door Asy, PW
701945-02	Complete Bottom Door Asy, EB
701813-02	Complete Bottom Door Asy, ES
701945-12	Complete Bottom Door Asy, EW
701933-02	Complete Bottom Door Asy, FS
702815-04	Complete Bottom Door Asy, PB
702815-02	Complete Bottom Door Asy, PS
702815-06	Complete Bottom Door Asy, PW

Door Components

Item	Part #	Description
1	701944-01	Assembly, Door Skin, EB,PB
	701815	Assembly, Door Skin, ES,PS
	701944-05	Assembly, Door Skin, EW,PW
	701932	Assembly, Door Skin, FS
2	13659-020	Assembly, Door Handle, EB
	13659-002	Assembly, Door Handle, ES
	13659-022	Assembly, Door Handle, EW
	702376-01	Assembly, Door Handle, PB,PS,PW
3	110167 ¹	Logo, Dacor 3" Chrome ¹
4	107484B	Heat Shield
5	105353	Insulation Side Door
6	107482	Insulation Top Door
7	108008	Hinge, EB,EW,PB,PW
	107509	Hinge, ES,FS,PS

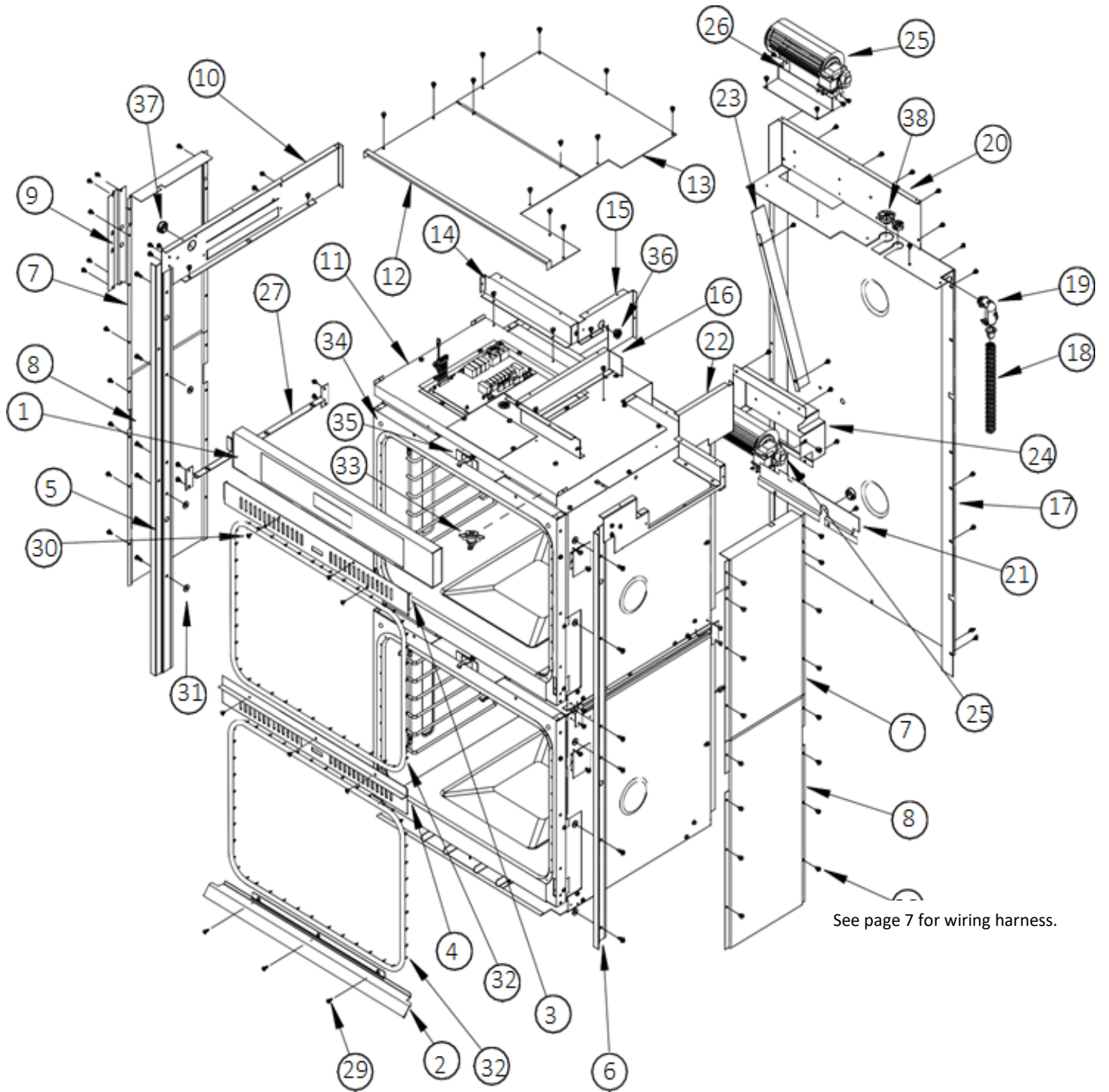
Item	Part #	Description
8	72967	Window Pack
9	100157	Gasket, Window Pack
10	701827-05 ²	Asy, Door Liner, EB,EW,PB,PW ²
	701827-01 ²	Asy, Door Liner, EB,EW,PB,PW ²
	701827-02 ²	Asy, Door Liner, FS ²
	701875-03 ³	Door Liner, EB,ES,EW,FS,PB,PS,PW ³
11	100026	Screw, #10-32x2.0, Torx
12	108040-02	Hinge Bracket Cover, Right
13	108040-01	Hinge Bracket Cover, Left
14	83263	Screw, Phil TRS, #8x3/8, Black
15	92008	Spacer, Door Handle, EB, EW

¹For use on bottom door only.

²Pre-assembled includes door liner, window pack w/ gasket, hinges, hinge covers, all insulation, heat shields and air deflectors.

³Door liner alone.

Wall Oven Chassis Assembly



Wall Oven Chassis Parts

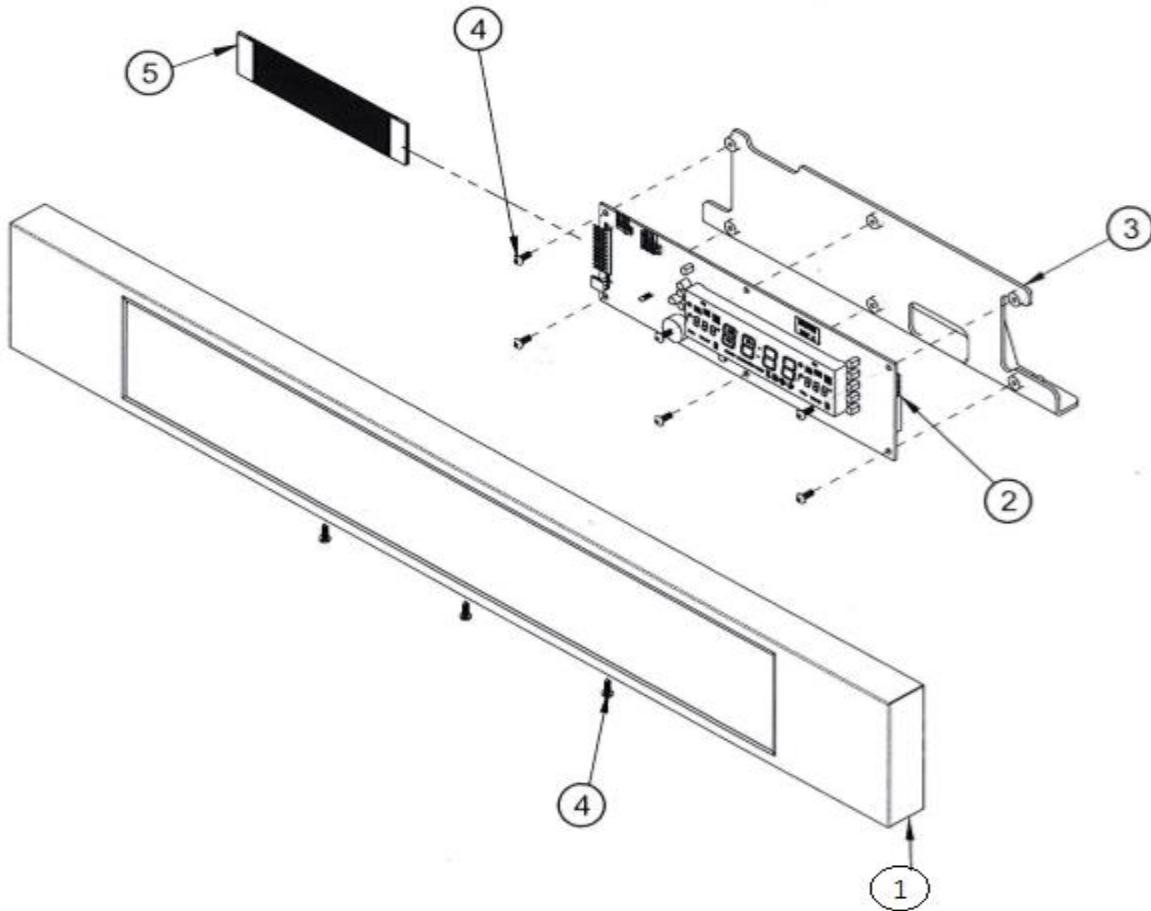
Item	Part #	Description
1	See next page ¹	Assembly, Bezel/Capacitive Touch ¹
2	108060-01B	Exhaust Grill, EB PB
	108060	Exhaust Grill, ES,FS,PS
	108060-01W	Exhaust Grill, EW,PW
3	107448B	Intake Grill, Top, ES,EB,EW,FS,PB,PS,PW
4	701913B	Intake Grill, Lower, EB,ES,EW,FS,PB,PS,PW
5	107477-02B	Trim Post, Left, EB,ES,FS,PB,PS
	107477-02W	Trim Post, Left, EW,PW
6	107477-01B	Trim Post, Right, EB,ES,FS,PB,PS
	107477-02W	Trim Post, Right, EW,PW
7	105462	Heat Shield, Duct
8	105463	Heat Shield, Lower Duct
9	105478	Cover, Meat Probe Wire
10	107642	Top Left Side
11	See page 7 ²	Sub-chassis ²
12	107444	Cover, Top
13	107445	Cover, Top, Rear
14	108118	Cooling Fan Front Cover
15	108119	Cooling Fan Side Cover
16	108221	Conduit Corner
17	107457	Cover, Back

Item	Part #	Description
18	26420	Conduit, 1/2" Flex
19	82195	1/2 Flex 90DGR Connector
20	107425	Top Rear
21	107643	Cover, Double Oven
22	107641	Top Right Side
23	107676	Duct, Rear
24	107458	Housing, Lower Fan
25	82986	Fan, Cooling
26	108092	Extension, Cooling Fan
27	107640	Oven Support Bracket
28	83023	Screw, Slot, HWH, #10x3/8
29	83709	Screw, #8x1/2", Torx, Blk
30	83263	Screw, Phil TRS, #8x3/8, Blk
31	83555	Fiber Washer
32	108076	Door Gasket
33	92321	High Limit Switch
34	83618	Rubber Bumper
35	100090	Door Latch
36	92191-01	Bushing, Split .75"
37	92191-02	Bushing, Split 1.00"
38	92191-03	Bushing, Split 1.375"

¹See page 6 for individual components

²See page 7 for individual components.

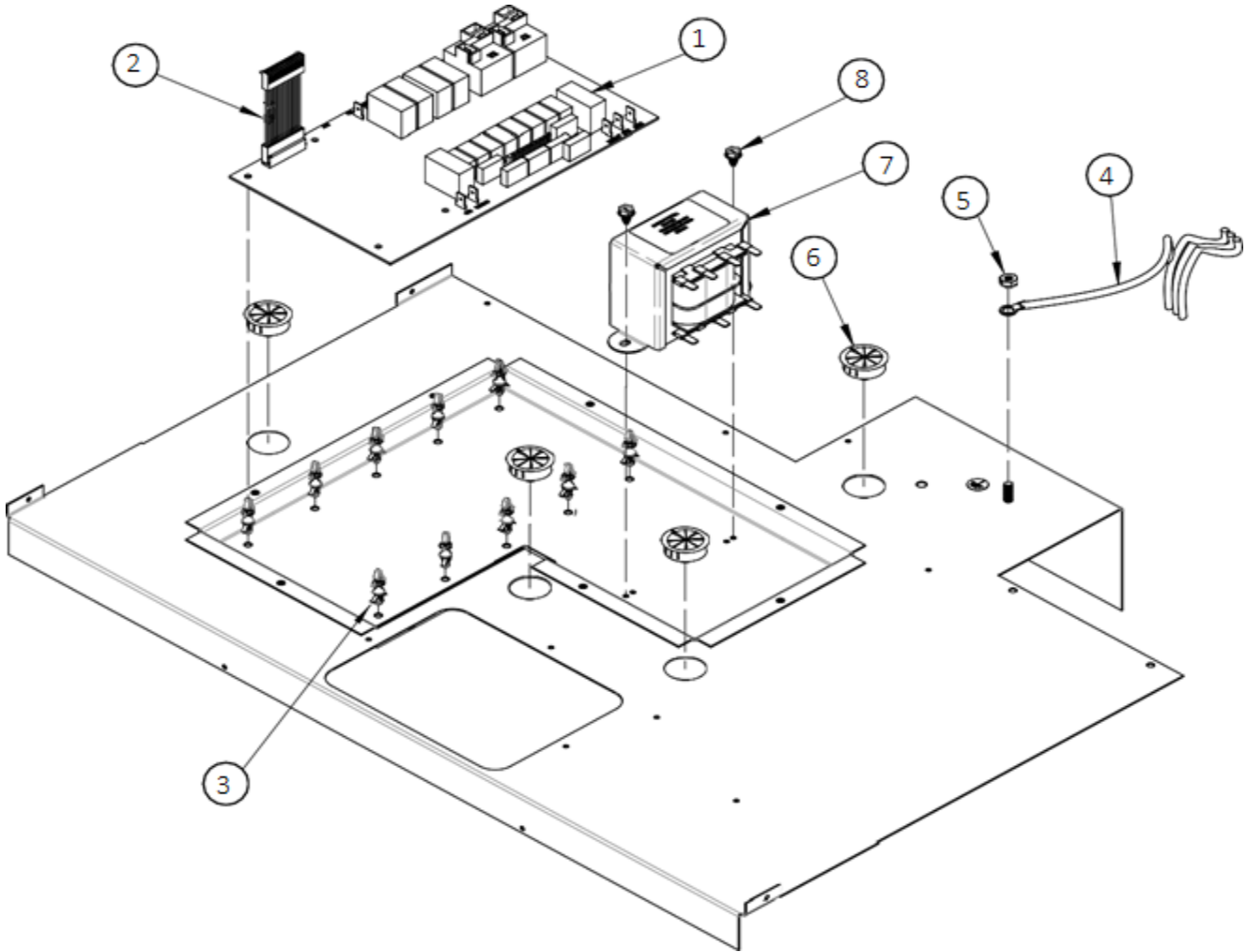
Wall Oven Control Panel Assembly



Item	Part #	Description
1	702838-02 ¹	Assembly, Bezel/Capacitive Touch, EB,PB ¹
	702837-02 ¹	Assembly, Bezel/Capacitive Touch, ES,FS,PS ¹
	702838-04 ¹	Assembly, Bezel/Capacitive Touch, EW,PW ¹
2	108135	Control Board
3	105334	Control Board Base
4	105486	Screw, 6-19x3/8"
5	105655	Ribbon Cable

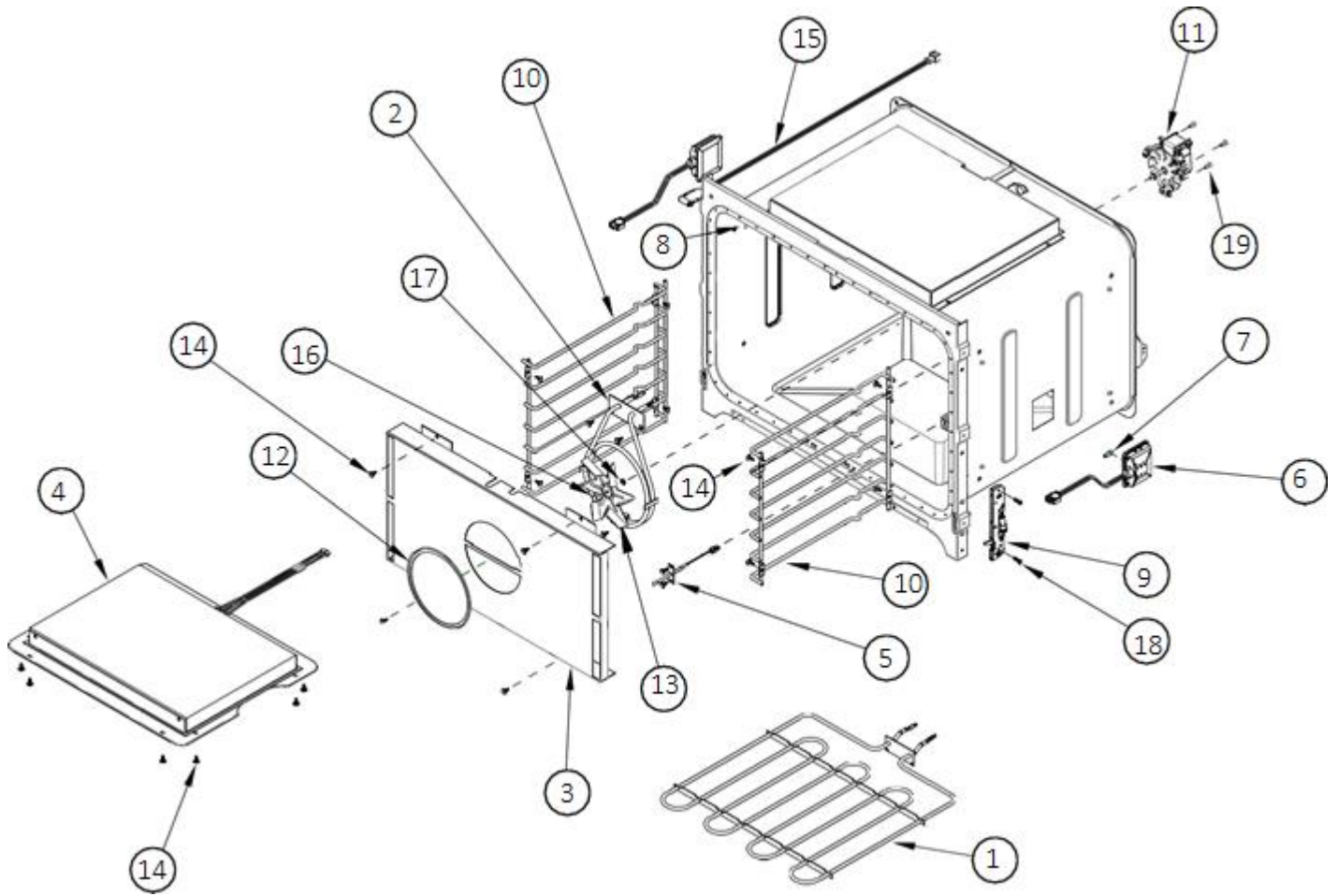
¹Includes items 2, 3, 5 and 6 screws.

Sub-chassis Electrical Components



Item	Part #	Description
1	102380	Relay Board
2	105448	Wiring Harness, Power Board
3	83538	PCB Support, Nylon
4	105413	Wiring Harness, Main
5	83009	Nut, KEPS, #10-24
6	92191-02	Bushing, Split 1.0"
7	100832	Transformer, Light, 12 VAC
8	83023	Screw, Slot HWH #10x3/8THD
-	105729	Wiring Harness Extension Relay Board/Touch Pan (not shown)

Wall Oven Cell Components

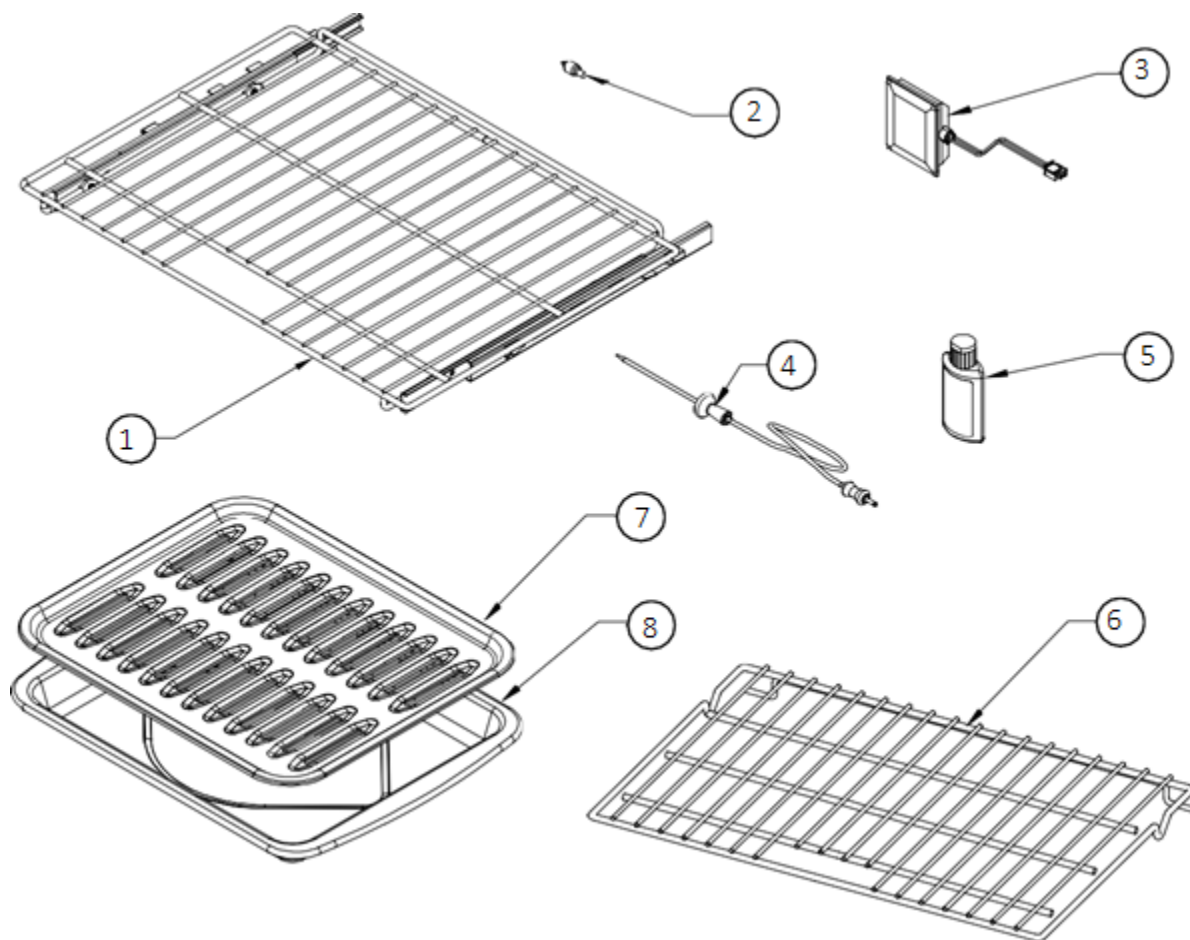


Item	Part #	Description
1	105373	Bake Element
2	82377	Convection Element
3	107475BP	Convection Baffle
4	700661 ¹	Broil Assembly ¹
5	72752	Sensor, Temperature
6	92398	Asy, Halogen Light, 12V, 20W
7	100429	Bulb, Halogen, 12V, 20W
8	102468	Plug, Probe, Oven Cell (not shown)
9	107511	Hinge Receptacle
10	106991	Rack Support

Item	Part #	Description
11	700633 ²	Kit, Convection Fan ²
12	82891	Filter, Convection
13	101511	Convection Fan Blade
14	83708	Screw, Torx Wafer Head, #8x1/2"
15	72717	Meat Probe Socket
16	102137	Hex Nut, Convection Fan
17	102136	Washer, Convection Fan
18	83696	Screw, Pan HD Phillips, #10-32
19	83379	Screw, #8-1/2 Thread Type A

¹Broil assembly includes element, glass and frame. ²Kit includes motor, fan blade, fan blade washer and mounting nut.

Wall Oven Miscellaneous Parts



Item	Part #	Description
1	ARGO27H	Oven Rack, Gliderack Type
2	100429	Bulb, Halogen, 12V, 20W
3	92398	Asy, Halogen Light, 12V, 20W
4	72723	Meat Probe
5	100852	Stainless Steel Cleaner
6	107480	Oven Rack, Standard
7	82106	Porcelain Grill
8	82107	Porcelain Pan