



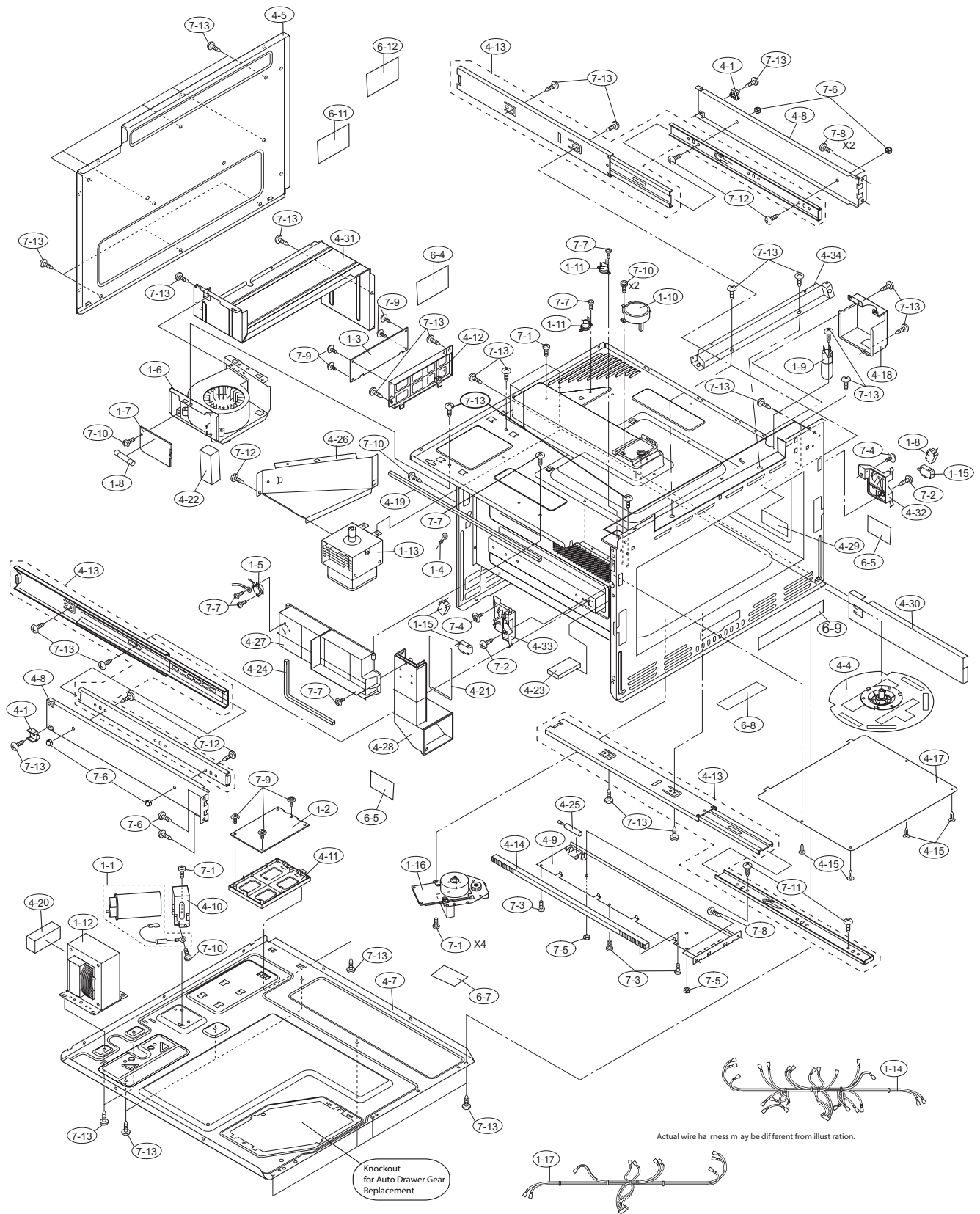
The Life of the Kitchen

PARTS CATALOG

Page #	Sheet Title
2	Drawer Control Panel
3	Drawer Parts
4	Drawer Parts List
5	Door
6	Drawer Cabinet
7	Packaging Parts

Revised 11-04-2016

RNMD30/RNMD24 - Drawer Parts



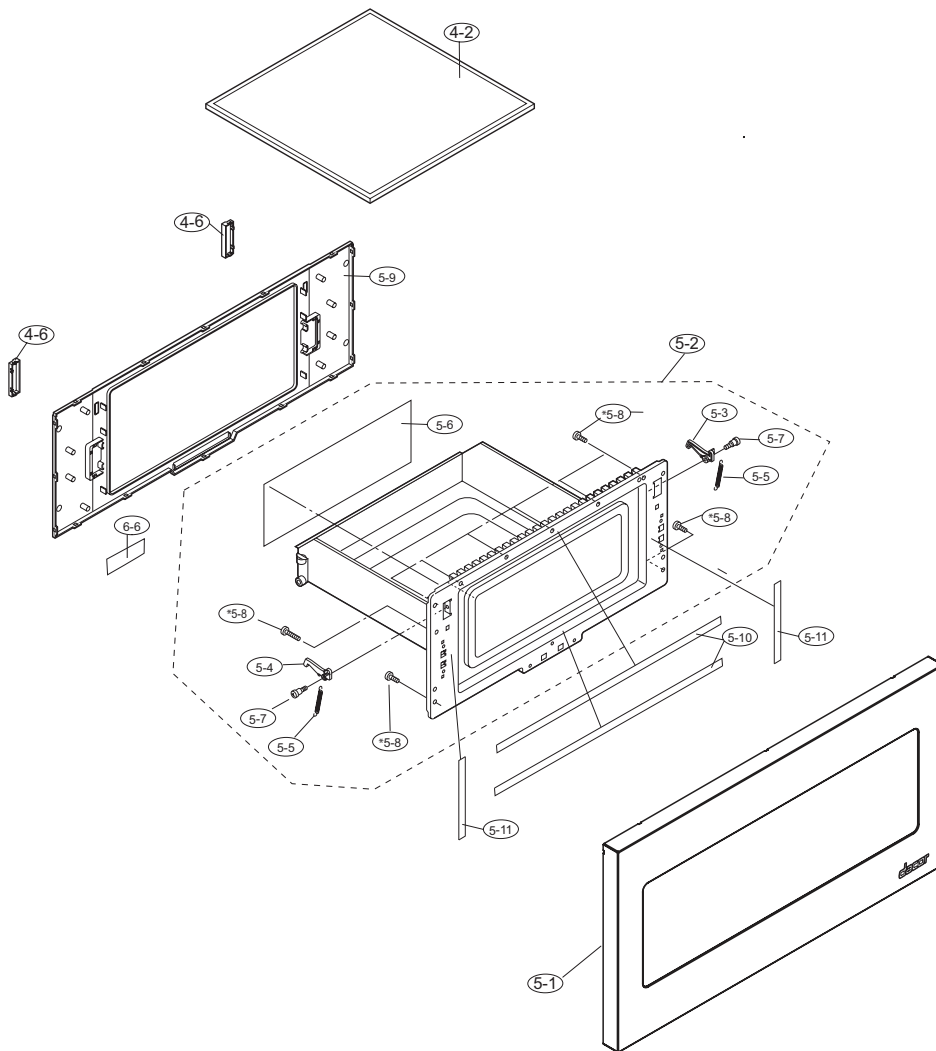
MICROWAVE DRAWER HARNESSES

RNMD30/RNMD24 - Drawer Parts List

Ref #	Part #	Description
1-1	109888	HVC ASSY
1-2	109889	PSU- Drawer
1-3	109890	SW PSU
1-4	109891	POWER SUPPLY CORD
1-5	109892	SENSOR ASSY
1-6	109893	FAN MOTOR ASSY
1-7	109894	Noise Filter Unit
1-8	66006	MONITOR FUSE (V-5220Q) WITH FUSE (20A) ASSEMBLY
1-9	106062	OVEN LAMP WITH SOCKET
1-10	109895	STIRRER MOTOR
1-11	66376	Oven/MG DM FUSE
1-12	109896	TRANSFORMER
1-13	109897	MAGNETRON
1-14	109898	DRAWER HARNESS
1-15	109427	SECONDARY/THIRD/STOP SWITCH
1-16	109899	AUTO DRAWER GEAR ASSY
1-17	109900	CPU HARNESS
4-1	109916	DOOR STOPPER
4-4	109918	ANTENNA ASSY
4-5	109919	BACKPLATE
4-7	109921	BASE PLATE
4-8	109922	DOOR SUPPORT ANGLE A
4-9	109923	DOOR SUPPORT ANGLE B
4-10	109924	HVC BAND
4-11	109925	PSU HOLDER
4-12	109926	SW PSU HOLDER
4-13	109927	SLIDE RAIL
4-14	109928	RACK GEAR
4-15	109929	CANOE CLIP
4-17	109931	ANTENNA COVER
4-18	109932	OVEN LAMP COVER
4-19	109933	INLET CUSHION
4-20	109934	HVT CUSHION
4-21	109935	EXHAUST DUCT CUSHION

Ref #	Part #	Description
4-22	109936	FAN MOTOR SUPPORT CUSHION
4-23	109937	AIR FLOW CUSHION
4-24	109938	CUSHION
4-25	109939	OIL DAMPER
4-26	109940	MAG DUCT
4-27	109941	SENSOR DUCT
4-28	109942	EXHAUST DUCT
4-29	109943	LAMP FILTER
4-30	109944	PARTITION AG BOTTOM
4-31	109945	PARTITION AG REAR
4-32	109946	LATCH HOOK R
4-33	109947	LATCH HOOK L
4-34	109948	FACEPLATE OUTERCASE COVER
6-4		DHHS/GRD/CAUTION LABEL
6-5		MONITOR CAUTION LABEL
6-7		USER CAUTION LABEL
6-8		WAVEGUIDE COVER CLEANING LABEL
6-9		MENU LABEL
6-11		USER CAUTION FRENCH LABEL
6-12		NHW CAUTION LABEL
7-1	66205	M4-POINTED-8
7-2	86820	SCREW WITH WASHER
7-3	106060	SCREW
7-4	109964	SCREW WITH WASHER
7-5	101247	CAP NUT
7-6	109965	CAP NUT
7-7	86847	M3 X 8 SCREW - TAP BINDING HEA
7-8	109966	M4 X 12 SCREW - COMMON (RoHS)
7-9	86780	M3 X 10 SCREW - STEEL P-TIGHT
7-10	109967	SCREW: 4MM X 8MM
7-11	106063	4x6mm SCREW
7-12	109970	M4 X 8 SCREW - T TAP TRUSS (Ro
7-13	86905	CABINET SCREW/ CLEAR (RoHS)

RNMD30/RNMD24 - Door

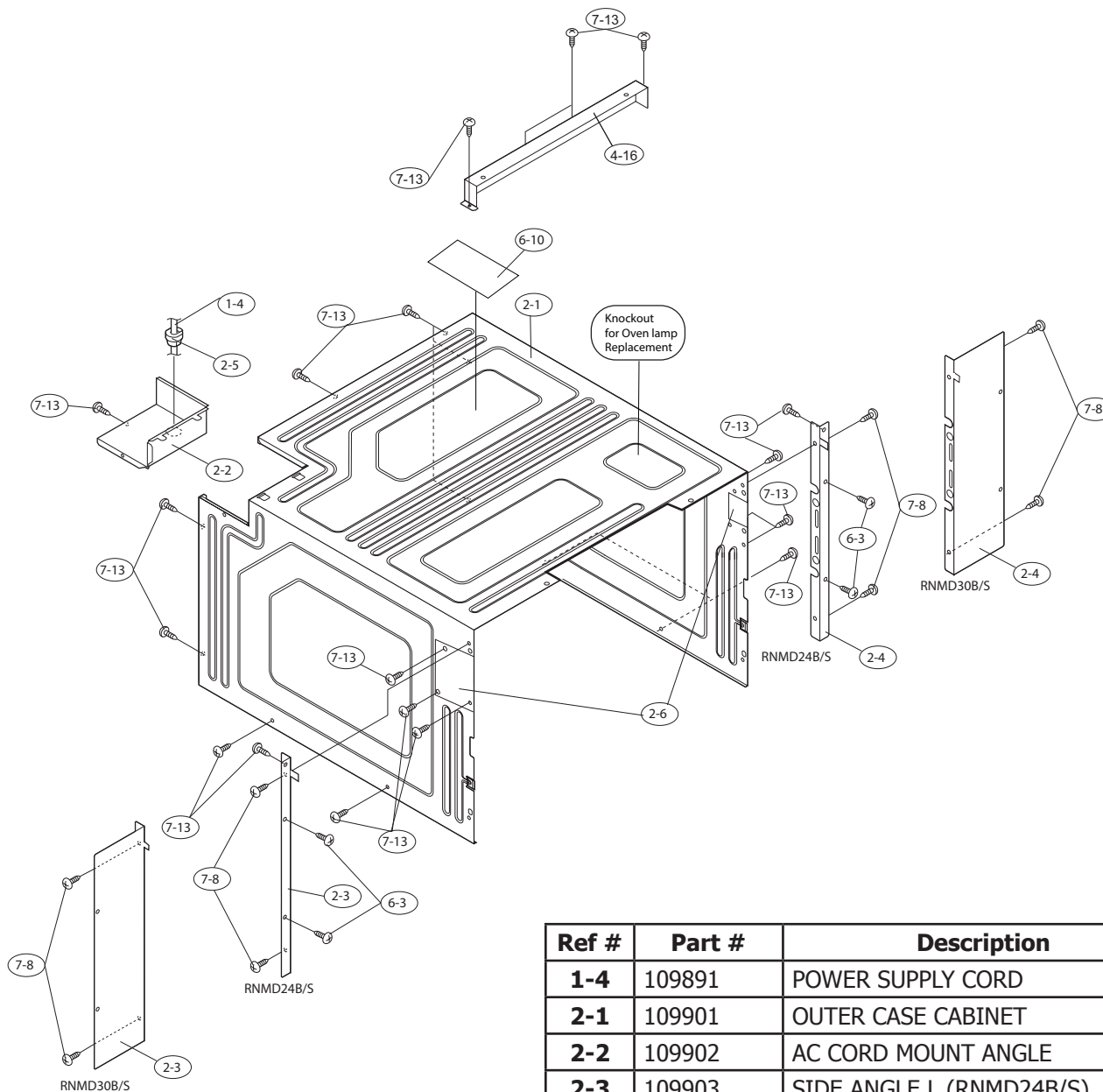


Ref #	Part #	Description
4-2	109917	OVEN TRAY ASSY
4-6	109920	DOOR SUPPORT COVER
5-1	109949	DOOR FRAME ASSY (RNMD24S)
	109950	DOOR FRAME ASSY (RNMD24B)
	109951	DOOR FRAME ASSY (RNMD30S)
	109952	DOOR FRAME ASSY (RNMD30B)
5-2	109953	DOOR PANEL ASSY
5-3	109954	LATCH HEAD R
5-4	109955	LATCH HEAD L

Ref #	Part #	Description
5-5	109956	LATCH SPRING
5-6	109957	SEALER FILM
5-7	109958	SPECIAL SCREW
5-8	109959	M4 X 8 SCREW - TAP PAN HEAD
5-9	109960	CHOKE COVER (RNMD24B/S)
	109961	CHOKE COVER (RNMD30B/S)
5-10	109962	Door cushion horizontal
5-11	109963	Door cushion vertical
6-6		CONSUMER WARNING LABEL

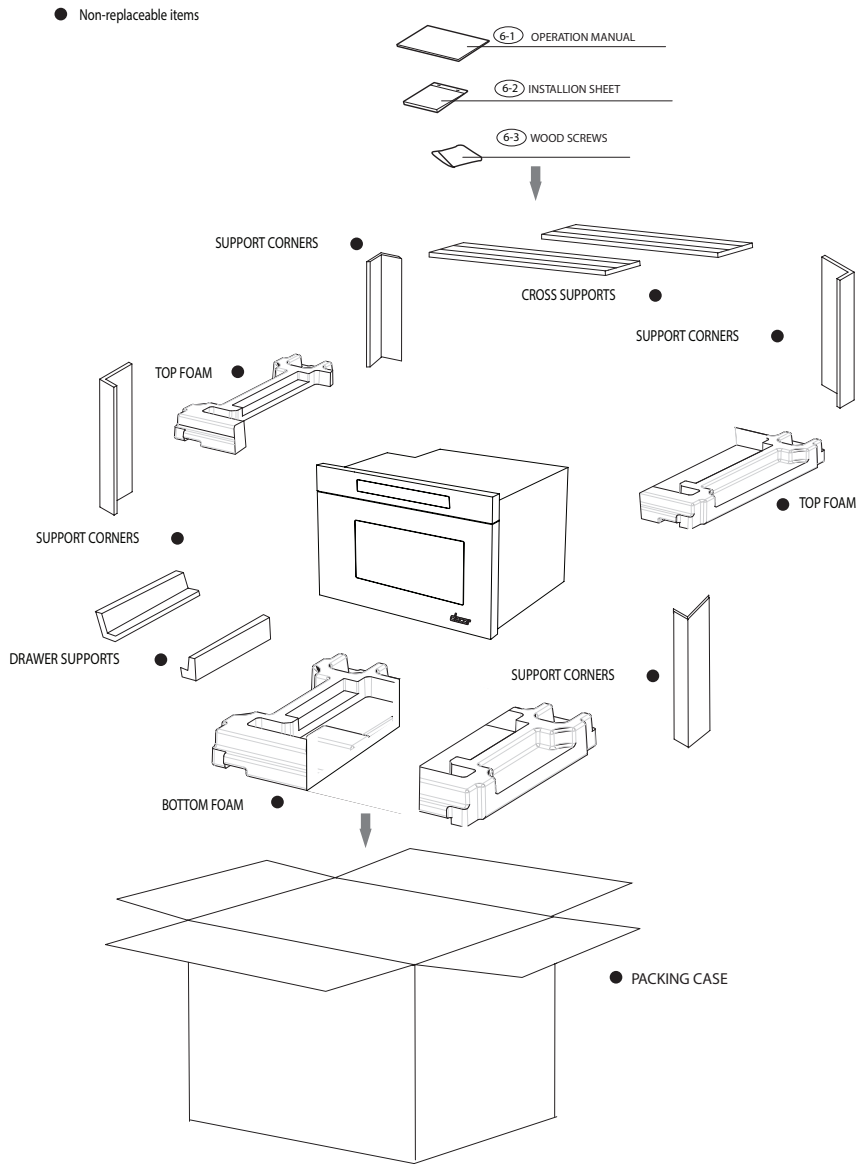
***Note: Screws 5-8 not included with 5-2.**

RNMD30/RNMD24 - Drawer Cabinet



Ref #	Part #	Description
1-4	109891	POWER SUPPLY CORD
2-1	109901	OUTER CASE CABINET
2-2	109902	AC CORD MOUNT ANGLE
2-3	109903 109904	SIDE ANGLE L (RNMD24B/S) SIDE ANGLE L (RNMD30B/S)
2-4	109905 109906	SIDE ANGLE R (RNMD24B/S) SIDE ANGLE R (RNMD30B/S)
2-5	109907	CORD BUSHING
2-6	109908	LATCH COVER
4-16	109930	C/P REAR COVER
6-3	101285	WOOD SCREW (M4 X 20, PANHEAD)
6-10		SCHEMATIC DIAGRAM
7-8	109966	M4 X 12 SCREW - COMMON (RoHS)
7-13	86905	CABINET SCREW/ CLEAR (RoHS)

RNMD30/RNMD24 - Packaging Parts



Ref #	Part #	Description
6-1		OP MANUAL ASSY
6-2		INSTALLATION INSTRUCTIONS FLUSH INSTALLATION INSTRUCTIONS
6-3	101285	WOOD SCREW (M4 X 20, PANHEAD)