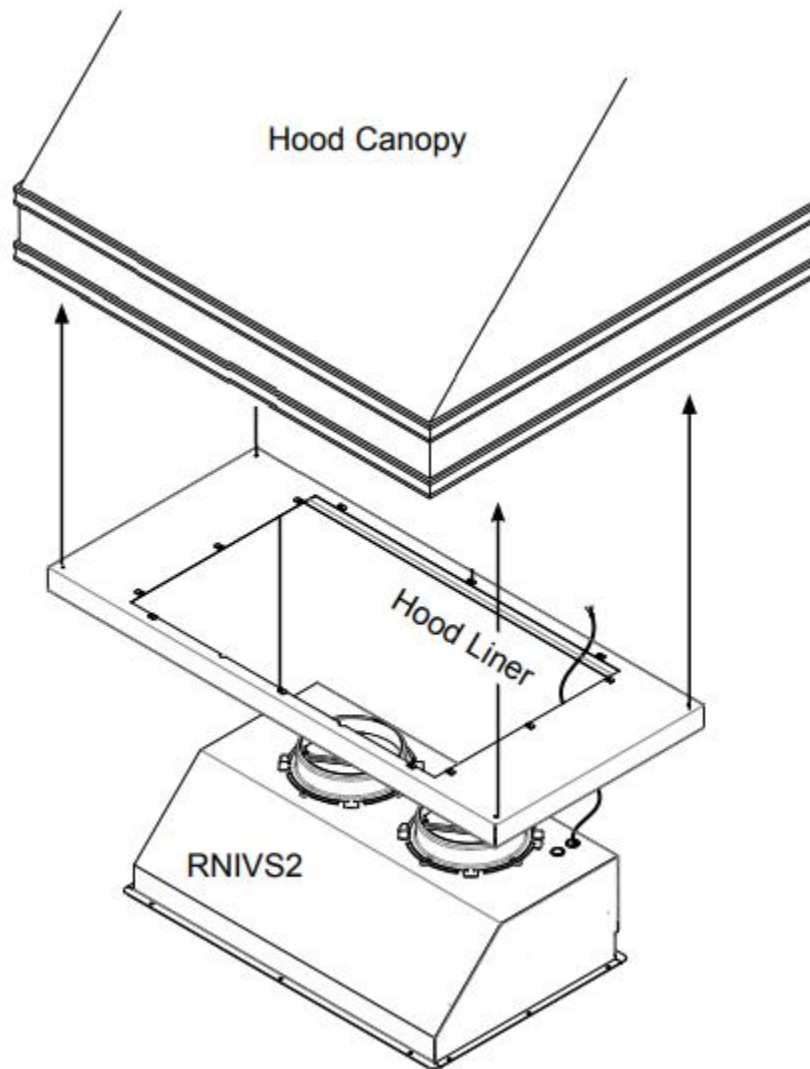
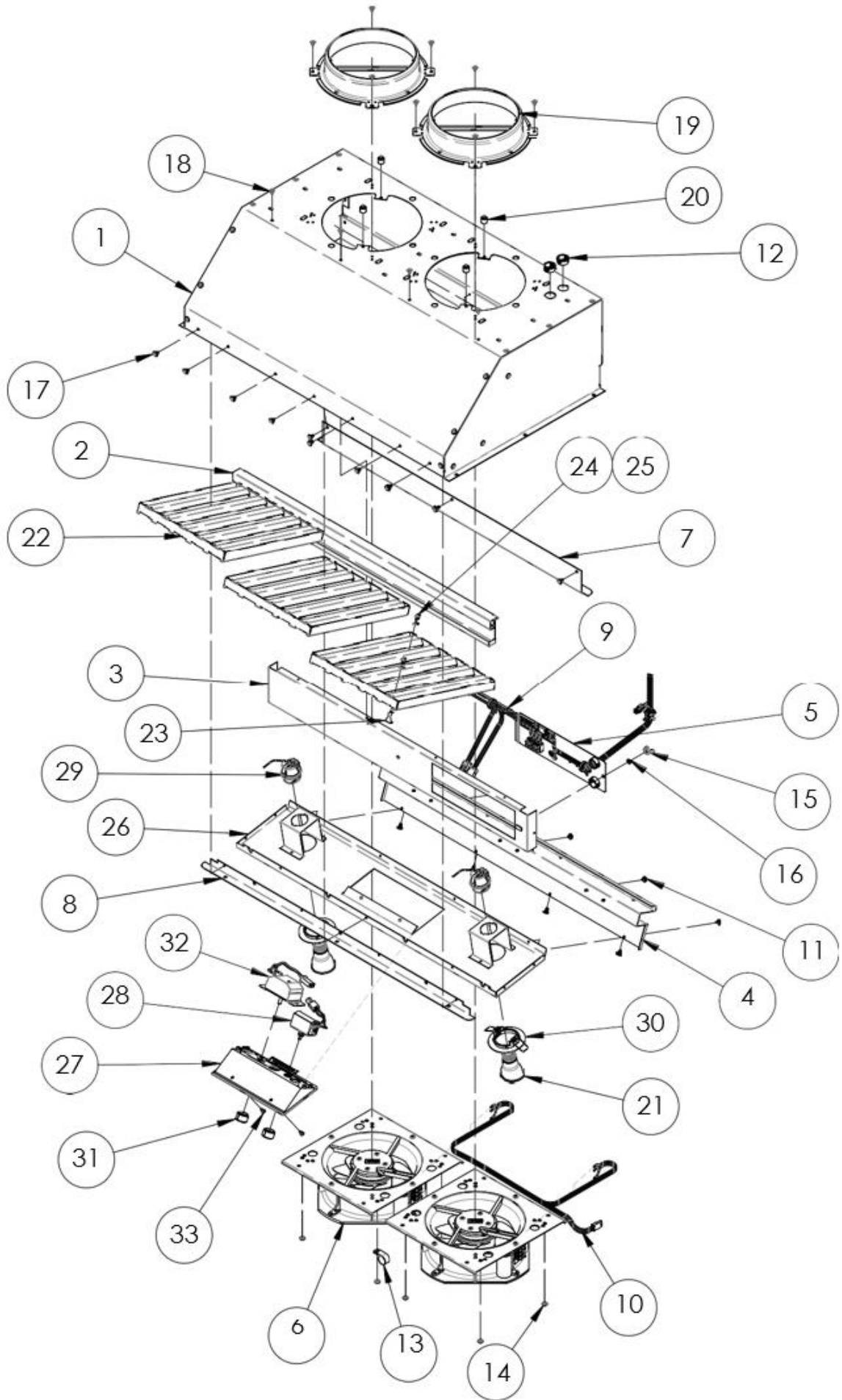


# ***dacor***

LET THE SHOW BEGIN

## RNIVS2





## RNIVS2

REF#	PART NUMBER	DESCRIPTION	NOTES
1	Not Serviceable	WELDMENT, ENCLOSURE BOX	
2	702554	WELDMENT, GREASE TRAY	
3	702555	WELDMENT, INTERIOR PNL	
4	702437	ASSY, 36IN REAR LINER	
5	702492-01	ASSY, TERMINAL BLOCK PLATE	
6	702491-02	ASSY, FAN W2E200-HH86-01	
7	109331	TRIM, REAR	
8	109337	TRIM, FRONT	
9	109278	HARNESS, 2-LIGHT HOOD	
10	72682	HARNESS, DOUBLE FAN	
11	102373	SCREW, #8-18 X 1/4"	
12	83056	BUSHING HEYCO SB-875-11	
13	83167	CLAMP, CABLE 3/4"	
14	83308	6-32 KEPS NUT	
15	83035	NUT, WING, #10-24	
16	83334	STARWASHER, #8	
17	83619	SCREW, WFR HD, #8X3/8,	
18	83263	SCREW, PHILL, ROUND WASHER, HD.	
19	702714	WELDMENT, COLAR DAMPER	
20	83578	BUMPER, RUBBER, SNAP-IN	
21	109253	LIGHT, LED	
22	702495	WELDMENT, BAFFLE	
23	109109	KNOB, BAFFLE	
24	109328	SCREW 8-32 X 5/16" PHIL PAN HD	
25	83340	#10 LOCK WASHER	
26	702557	ASSY, LINER	
27	702512	ASSY, CTRL PANEL, DTHP	INCLUDED - 702557
28	72756	ASY, LAMP DIMMER	INCLUDED - 702557
29	101624	LAMP HOLDER	INCLUDED - 702557
30	109355	TRIM, LAMP, HOODS	INCLUDED - 702557
31	109167	KNOB, CTRL	INCLUDED - 702557
32	72757	ASY, FAN SPEED CTRL	INCLUDED - 702557
33	107578	SCREW BP, PHIL, FLT HD, TYP 1	INCLUDED - 702557