

The Dacor logo is rendered in a bold, italicized, sans-serif font with a metallic, 3D effect. The letters are dark with a lighter, reflective highlight on the top and left sides, giving it a sleek, modern appearance. A registered trademark symbol (®) is located at the end of the word.

dacor®

The Life of the Kitchen.®

A faded background image of a kitchen featuring a Dacor induction cooktop. The cooktop is white with a stainless steel front panel and control knobs. A white bowl sits on the cooktop surface. The surrounding kitchen environment includes a countertop with various items and a wooden cabinet.

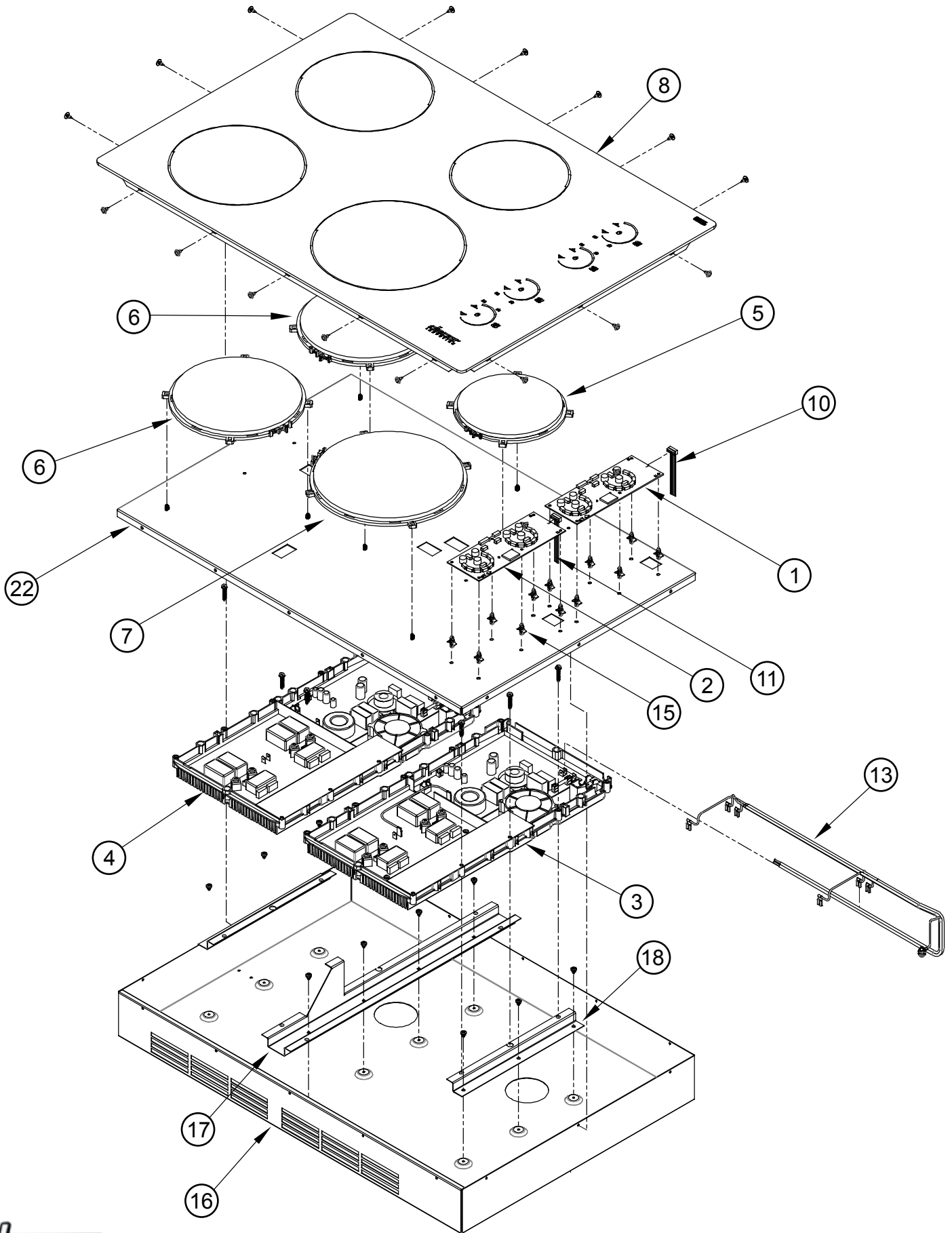
PARTS CATALOG

Induction Cooktop Model RNCT304

Page #	Description
2	Cooktop Assembly
3	Cooktop Parts

Revised 01-30-2014

RNCT304 Cooktop Assembly



RNCT304 Cooktop Parts

Item	Part#	Description
1	107513	Touch Control, Left Elements
2	107515	Touch Control, Right Elements
3	107516	Induction Generator, 260 mm & 210/145 mm
4	107517	Induction Generator, 180/180 mm
5	107518	Inductor Coil 145 mm
6	107519	Inductor Coil 180 mm
7	107520	Inductor Coil 210 mm
8	701843	Assembly, Glass Top
9	26420	Conduit, 1/2" Flex, Cut 60 Inch (not shown)
10	107522	Stranded Wire, 4 Pin, 720 mm
11	107524	Stranded Wire, 4 Pin, 400 mm
12	82195	1/2 Inch Flex 90 Degree connector (not shown)
13	107618	Wire Harness, Main
14	107527	Cover, Heat Sink, Generator (not shown)
15	107512-03	Support, Locking, PCB
16	107539	Box, Induction
17	107534	Support, Center
18	107535	Support, Side
19	83001	Screw, Phil Pan Hd, #8 x 1/4
20	83569	Screw, HWH, #8 x 1", TYPE A
21	83572	Screw, Phillips Pan, #8-32 x 1/2"
22	701915	Assembly, Plate, Coil
23	83263	Screw, Phil wafer, #8 x 3/8