

dacor®

The Life of the Kitchen.®

PARTS CATALOG

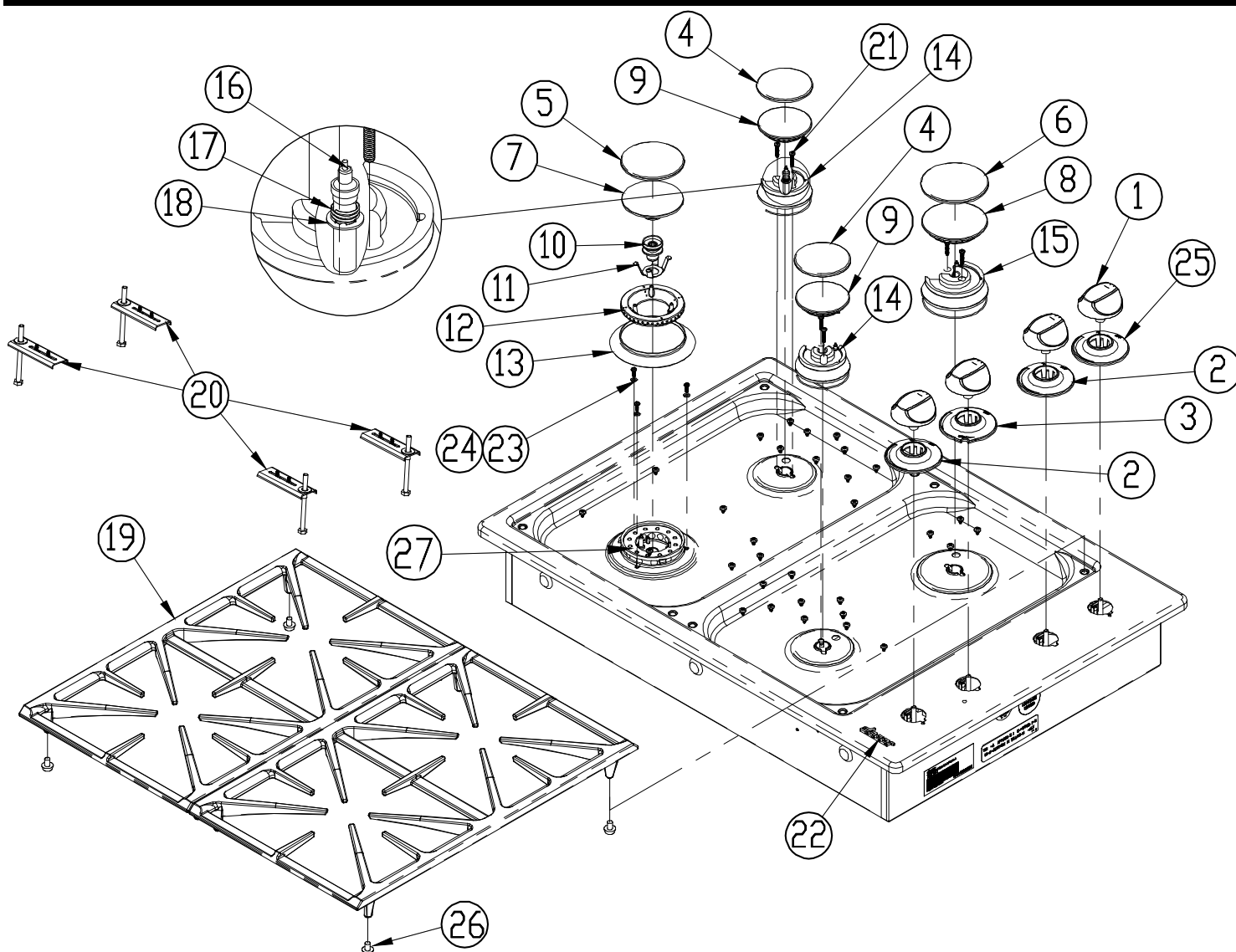
RGC304 Cooktop

Page #	Description
2	Top Frame Assembly
3	Upper Assembly
4	Spark System/Burners & Tubes
5	Chassis Assembly

IMPORTANT: This model is not approved for field conversions from one gas type to another and from one altitude setting to another.

Revised 08-21-2013

RGC304 Top Frame Assembly



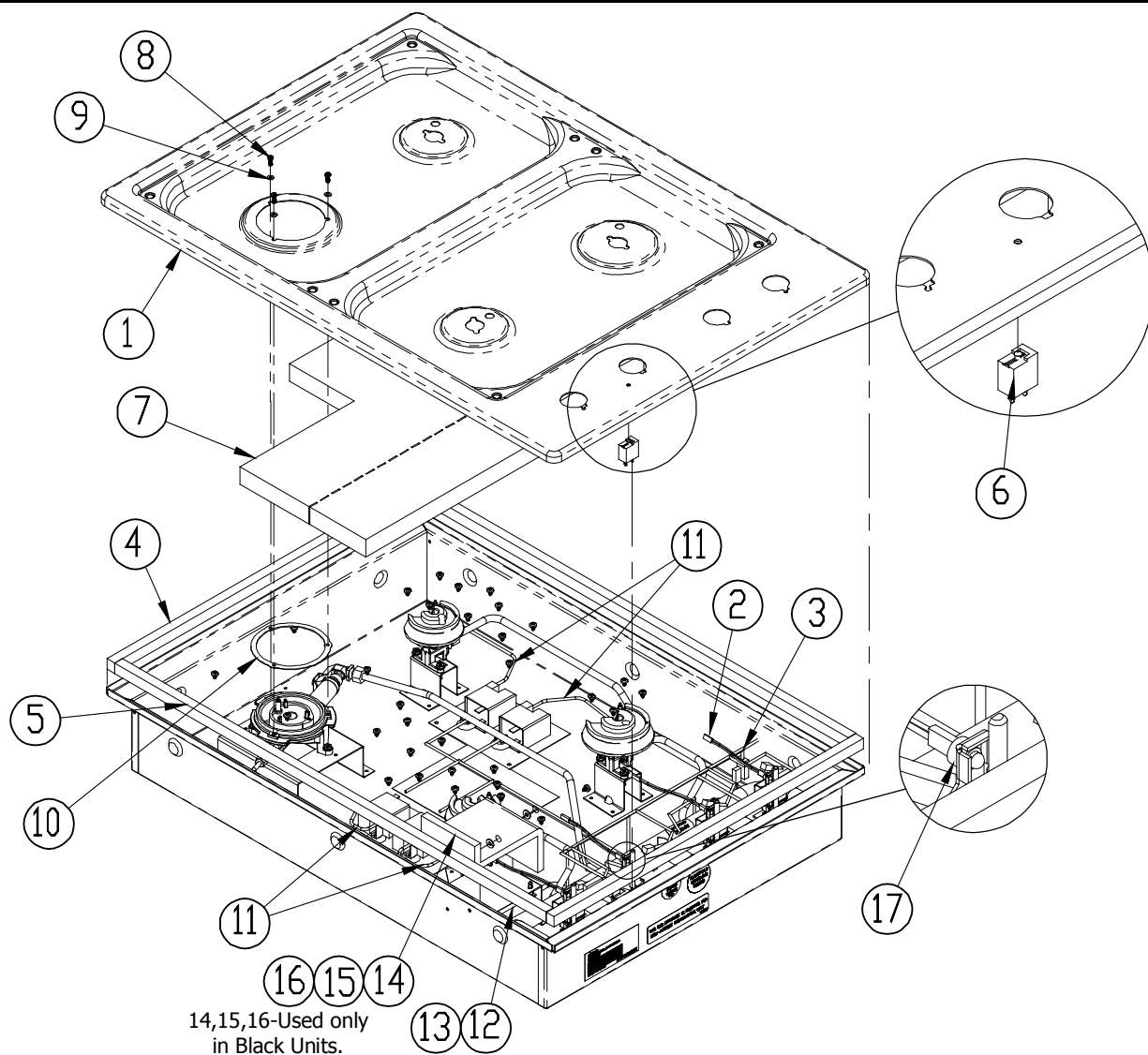
Item	Part #	Description
1	700834	Knob Assy.
2	103615-02	Spill Protector
3	103614-02	Spill Protector w/ Simmer
4	92235	Burner Head Cover
5	92231	Top Cap Cover, C-Dual
6	92236	Burner Head Cover
7	92460	Top Cap Flat, C-Dual
8	103737	Burner Head, C-Single
9	103735	Burner Head, B-Single
10	103801	Inner Burner Base, C-Dual
11	103748	Retaining Clip, C-Dual
12	103736	Burner Head, C-Dual
13	92459	Cross Ring Skirt, C-Dual
14	700174	Burner Base Assy, B-Single

Item	Part #	Description
15	700175	Burner Base Assy, C-Single
16	100325 ¹	Electrode (igniter) ¹
17	66976 ¹	Spring ¹
18	66960 ¹	Retaining Ring ¹
19	103475SB	12" Double Grate
20	12269	Kit, Hold Down Brackets
21	83716	Screw, Torx, Pan Head
22	72945CH	Dacor Logo
23	83707	Screw, Torx, Pan Head
24	83719	Washer, SS
25	103615-03	Spill Protector
26	701101 ²	Grate Support Pad, Kit ²
27	92388	Cross Ring, C-Burner

¹ Order As Kit # 700207. Contains one electrode, one spring and one retaining ring.

² Kit # 701101 contains four pads.

RGC304 Upper Assembly



14,15,16-Used only
in Black Units.

Item	Part # RGC304S	Part # RGC304B	Description
1	700197 ¹	700198 ¹	Top Frame, Service Kit ¹
2	701613/701614 ²	701613/701614 ²	LED Assembly Kit ²
3	106378 ³	106378 ³	Wire Harness ³
4	92310-001	92310-001	Foam Gasket
5	92310-002	92310-002	Foam Gasket
6	62036	62036	Blue Indicator Light (simmer)
7	-	81609	Igniter Insulation, Right
8	83707	83707	Screw, Torx Pan Head
9	-	83719	Washer, #6 SS

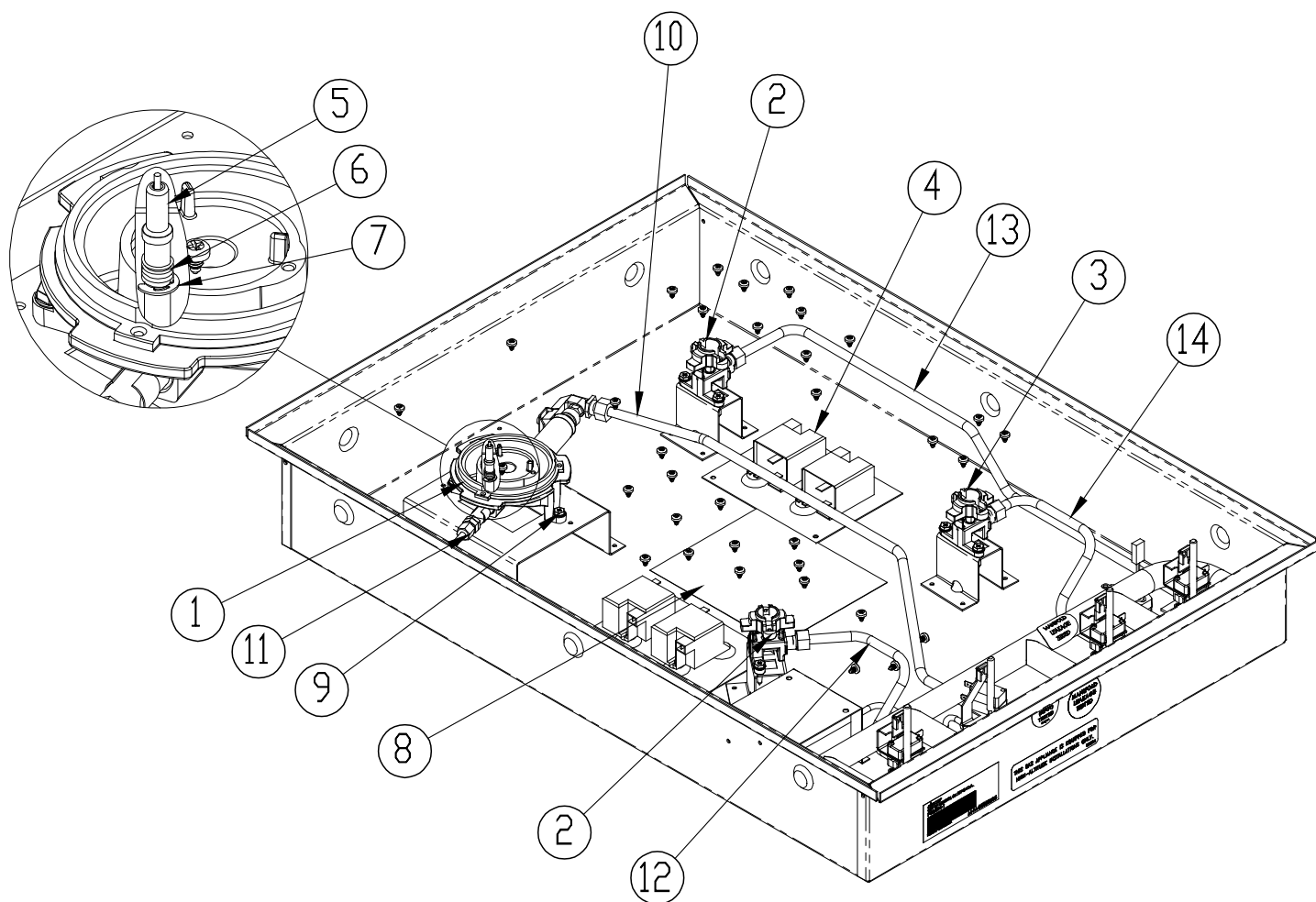
Item	Part # RGC304S	Part # RGC304B	Description
10	92308	92308	Graphite Gasket, C-Dual
11	76001 ²	76001 ²	Igniter Wires (set of 4)
12	106104	106104	LED Isolator Board
13	83538	83538	Support, Nylon PCB
14	-	100910	Single Point Insulation
15	-	83001	Screw, Phil HD, #8 x 1/4
16	-	83711	Washer, #8 Zinc
17	103757	103757	Retaining Ring, LED

¹ Top frame kits shown include top frame with logo, 1 dual burner gasket, 3 single burner O-rings and 3 screws.

² Use kit P/N 701613 for units before serial number M-A-09170098. Use kit P/N 701614 for units with serial number M-A-09170098 and later (includes isolator board). All versions include 4 LEDs. Replace all 4 so that they match in brightness.

³ Order # 103792 for complete wiring kit with wiring harness and all 4 igniter wires included.

RGC304 Spark System/Burners and Tubes

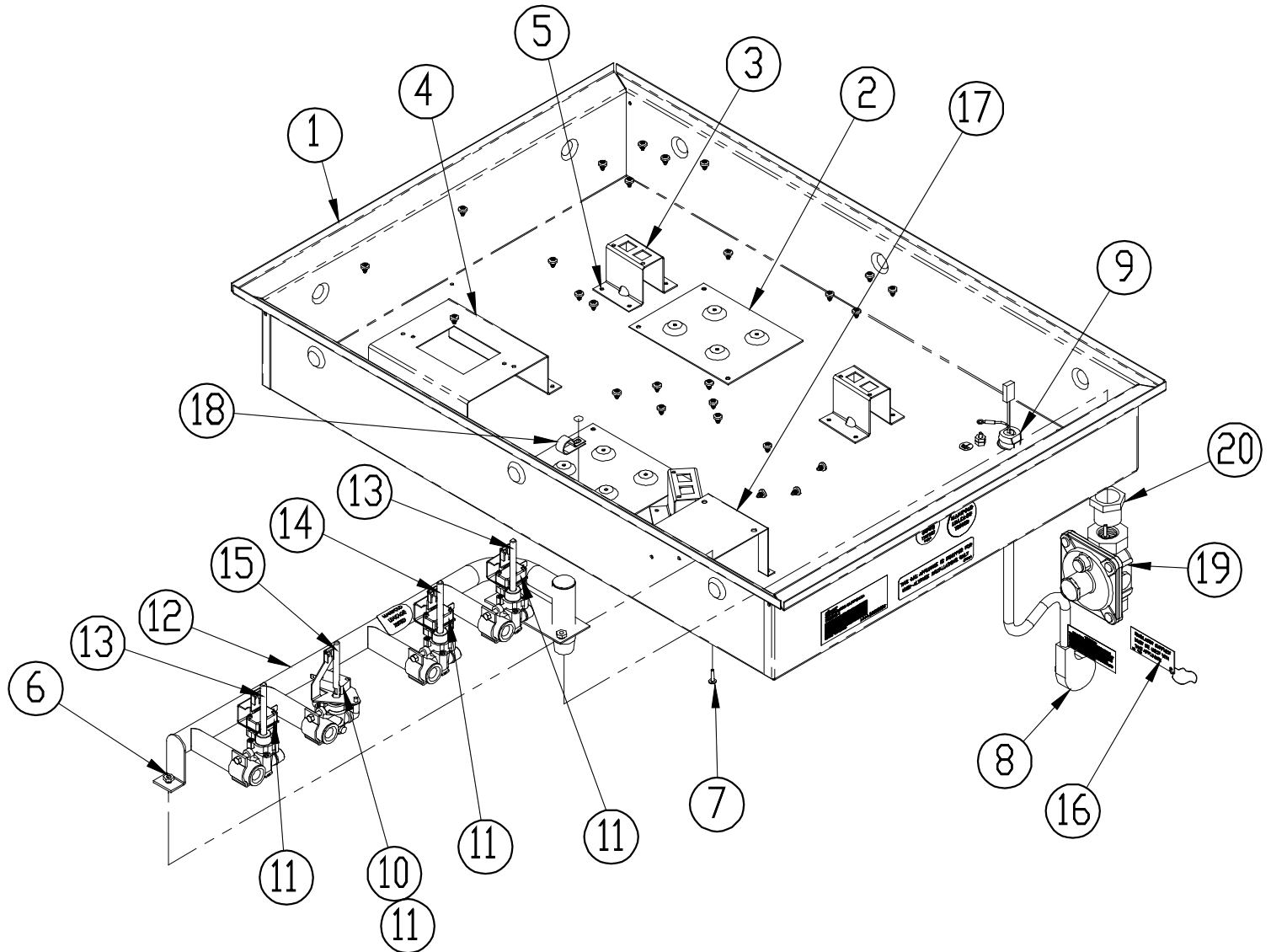


Item	Part # NG	Part # LP	Part # NGH	Part # LPH	Description
1	103743-01 ¹	103743-02 ¹	103743-03 ¹	103743-04 ¹	Base, Burner, Dual ¹
2	72806NG	72806LP	72806NGH	72806LPH	Jet Holder B Single
3	72809NG	72809LP	72809NGH	72809LPH	Jet Holder C Single
4	72634	72634	72634	72634	Spark Module
5	92237 ²	92237 ²	92237 ²	92237 ²	Igniter, Dual Burner ²
6	92238 ²	92238 ²	92238 ²	92238 ²	Spring, Dual Igniter ²
7	66960 ²	66960 ²	66960 ²	66960 ²	Retaining Ring, Single/Dual ²
8	103806	103806	103806	103806	Label, Wire Diagram
9	83700	83700	83700	83700	Screw, Phil, #10 x 3/4"
10	72953	72953	72953	72953	Assy, Burner Tube, LF
11	72954	72954	72954	72954	Assy, Burner Tube, LF, Simmer
12	72981	72981	72981	72981	Assy, Burner Tube, RF
13	72952	72952	72952	72952	Assy, Burner Tube, LR
14	72955	72955	72955	72955	Assy, Burner Tube, RR

¹ Includes igniter.

² Must order complete kit (PN 76245). Kit includes one igniter, one spring and one retaining ring.

RGC304 Chassis Assembly



Item	Part #	Description
1	46121	Chassis
2	46297	Igniter Mounting Plate
3	46319	Single Support Channel
4	46286	Dual Support Channel
5	83001	Screw, Phil HD, #8 x 1/4"
6	83048	Nut, Hex, Keps, #8-32
7	83572	Screw, Phil, #8-32 x 1/2"
8	72765	Power Supply Cord
9	83141	Bushing, Strain Relief
10	66987	Mirco-switch "NC"
11	66986	Mirco-switch "NO"

Item	Part #	Description
12	72950NG/NGH/LP/LPH	Assy, Manifold w/ Valves
13	66953NG/NGH/LP/LPH	Single Valve, B-Burner
14	66971NG/NGH/LP/LPH	Single Valve, C-Burner
15	66033NG/NGH/LP/LPH	Dual Valve, C-Burner
16	85047	Regulator Tag
17	104165	Bracket Isolation Board
18	82400	Cable Clamp
19	72980	10" Regulator, LP
	62834	5/10" Regulator, NG
20	83458	Reducer Bushing