

The Dacor logo is rendered in a bold, italicized, sans-serif font with a metallic, 3D effect. The letters are dark with a lighter, reflective highlight on the top and left sides, giving it a sleek, modern appearance. A registered trademark symbol (®) is located at the end of the word.

# **dacor**

The Life of the Kitchen.®

The background of the page is a faded, grayscale image of a kitchen. In the center, a stainless steel Dacor warming drawer is visible, with a white bowl resting on its top surface. To the left, there are various kitchen items like a bowl and a bottle. To the right, a dish rack is partially visible. The overall scene is softly lit, creating a clean and professional atmosphere.

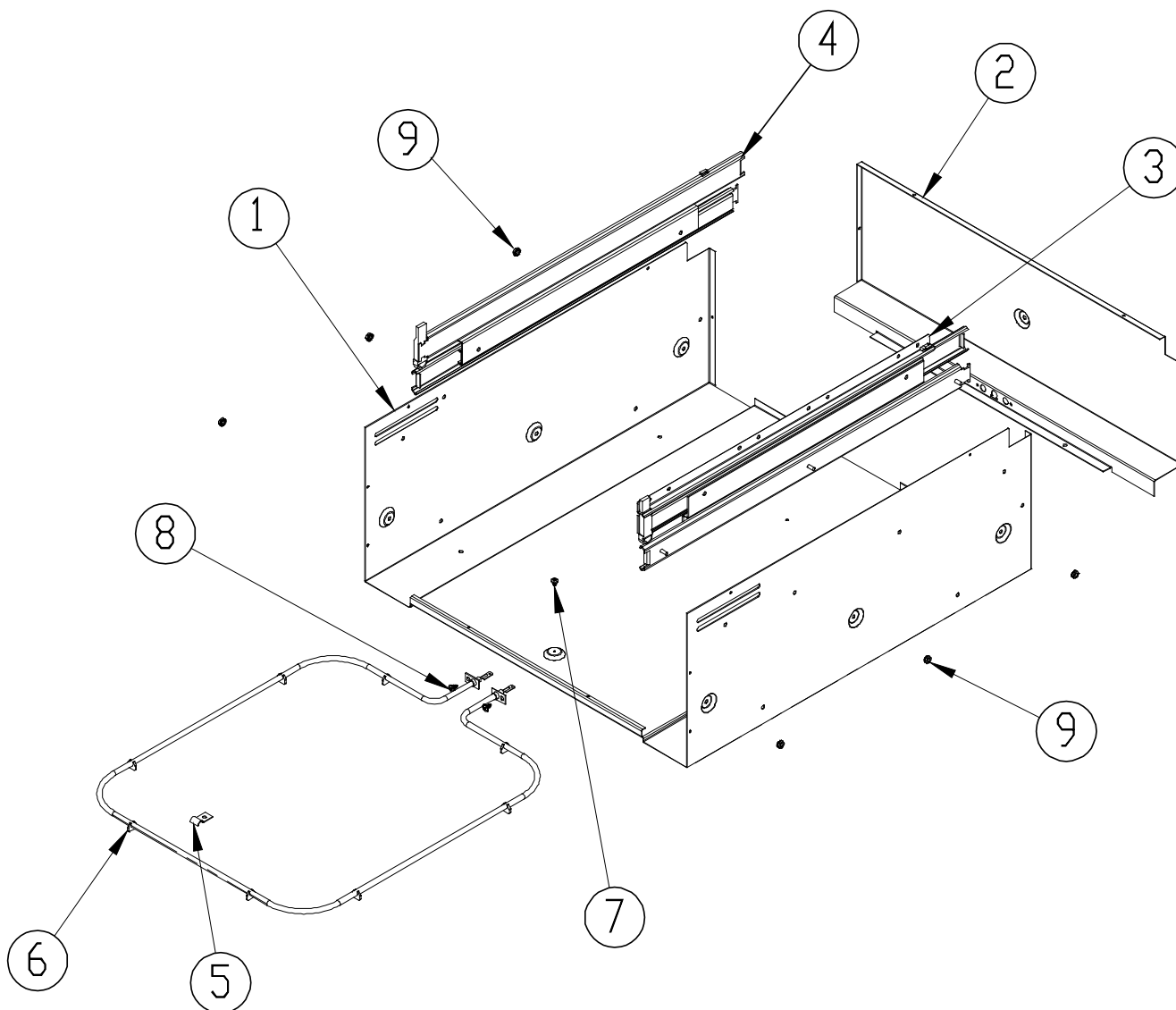
## **PARTS CATALOG**

### **PWD27/30 Warming Drawer**

| <b>Page #</b> | <b>Description</b>           |
|---------------|------------------------------|
| <b>2</b>      | <b>Chassis Wrap Assembly</b> |
| <b>3</b>      | <b>Chassis Assembly</b>      |
| <b>4</b>      | <b>Chassis Parts</b>         |
| <b>5</b>      | <b>Drawer Assembly</b>       |

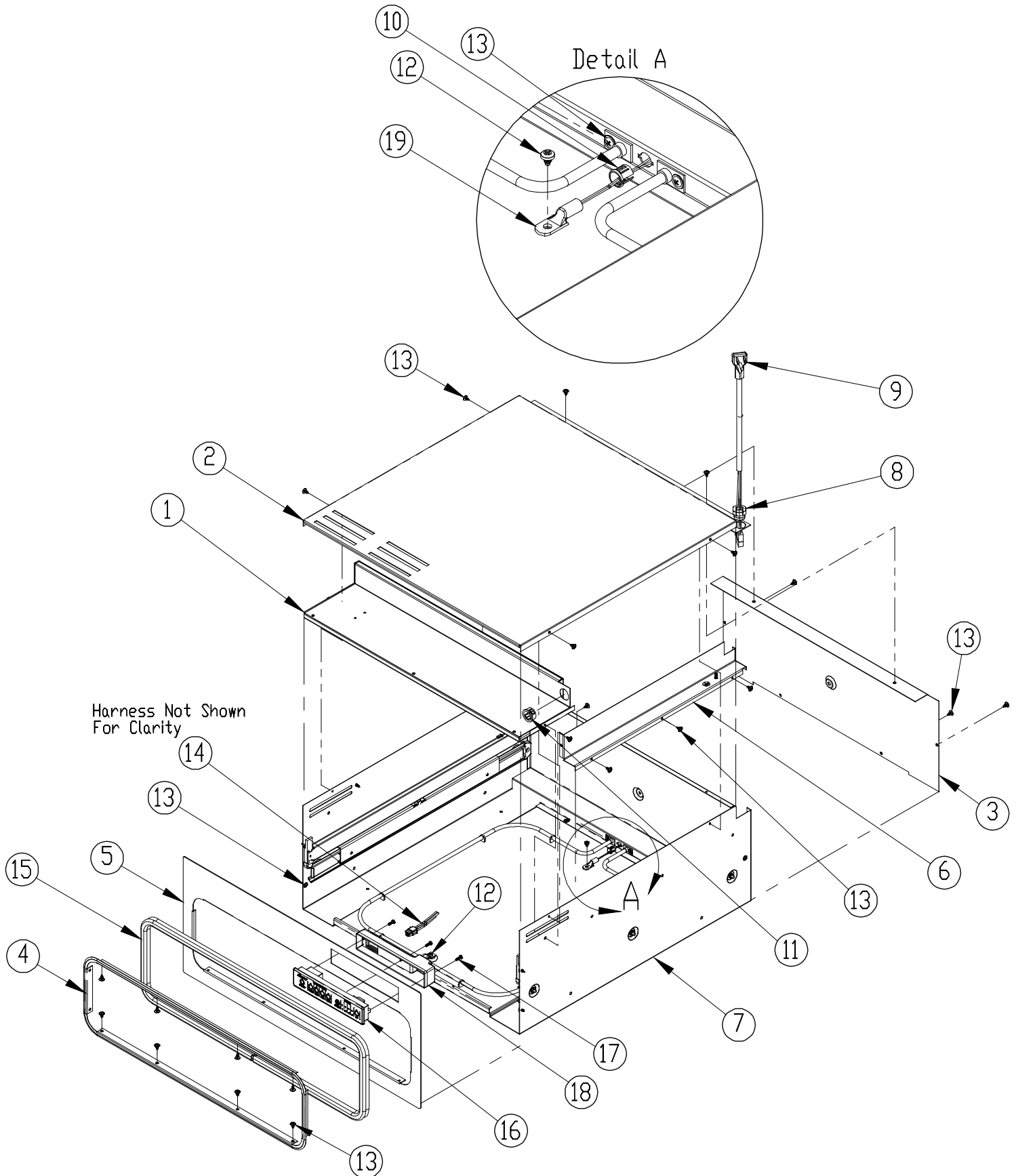
Revised 06-25-2013

# PWD Chassis Wrap Assembly



| Item | Description               | PWD27                 | PWD30     |
|------|---------------------------|-----------------------|-----------|
| 1    | Wrap, Chassis, WD24       | 101883-02             | 101883-03 |
| 2    | Partition, Rear           | 101881-02             | 101881-03 |
| 3    | Slide Rail Set, Right     | 72737 (sold as a set) |           |
| 4    | Slide Rail Set, Left      |                       |           |
| 5    | Clip, Element Hold down   | 102321                | 102321    |
| 6    | Heating Element           | 101651                | 101651    |
| 7    | Screw, Phil HD, #8 x 1/4" | 83001                 | 83001     |
| 8    | Screw, Phil HD, #8 x 3/8" | 83263                 | 83263     |
| 9    | Nut, Hex, Keps, #8-32     | 83048                 | 83048     |

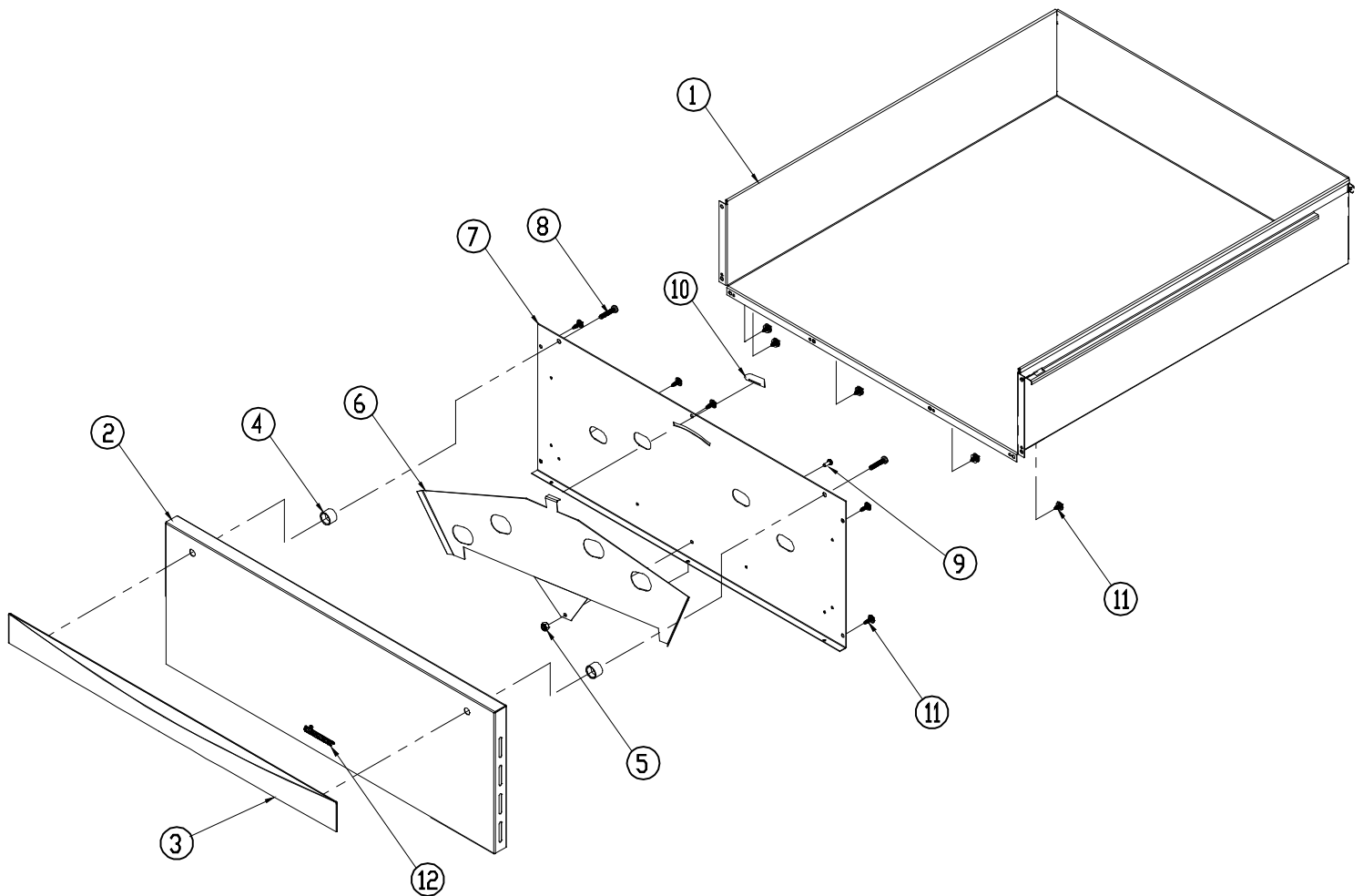
# PWD Warming Drawer Chassis Assembly



# PWD Warming Drawer Chassis Parts

| Item  | Description                              | PWD27                   | PWD30                   |
|---|--|-------------------------|-------------------------|
| 1   | Asy, Channel Control                     | 700738-02               | 700738-03               |
| 2   | Top Cover                                | 101882-02               | 101882-03               |
| 3   | Rear Cover                               | 101657-02               | 101657-03               |
| 4   | Frame, Gasket <sup>1</sup>               | 102442 <sup>1</sup>     | 102445 <sup>1</sup>     |
| 5   | Front Frame Panel <sup>1</sup>           | 101879-02B <sup>1</sup> | 101879-03B <sup>1</sup> |
| 6   | Electric Chase Weld                      | 700877                  | 700877                  |
| 7   | Asy, Chassis Wrap                        | 700591-02               | 700591-03               |
| 8   | Strain Relief Bushing                    | 83141                   | 83141                   |
| 9   | Power Supply Cord                        | 72765                   | 72765                   |
| 10  | Bushing, 3/8" Hole                       | 83532                   | 83532                   |
| 11  | Bushing, Heyco SB-875-11                 | 83056                   | 83056                   |
| 12  | Screw, Phil HD, #8 x 1/4"                | 83001                   | 83001                   |
| 13  | Screw, Phil HD, #8 x 3/8" <sup>1</sup>   | 83263 <sup>1</sup>      | 83263 <sup>1</sup>      |
| 14  | Wire Harness (Not Shown)                 | 102347                  | 102347                  |
| -   | Hi-Limit Thermostat (Not Shown)          | 106613                  | 106613                  |
| 15  | Gasket, Drawer <sup>1</sup>              | 101648 <sup>1</sup>     | 101649 <sup>1</sup>     |
| 16  | Control w/ Overlay <sup>2</sup>          | 101645 <sup>2</sup>     | 101645 <sup>2</sup>     |
| 17  | Screw, 6-19 x 1/2, Plastite <sup>2</sup> | 102499 <sup>2</sup>     | 102499 <sup>2</sup>     |
| 18  | Cover, Control Board <sup>2</sup>        | 101610 <sup>2</sup>     | 101610 <sup>2</sup>     |
| 19  | Thermistor                               | 102472                  | 102472                  |
| <sup>1</sup> Must be ordered as kit according to part numbers at right. Includes items 4, 5, 15 and 8 screws (item 13). |  | 701119-02               | 701119-03               |
| <sup>2</sup> Must be ordered as kit number 701120. Includes items 16, 18, and 3 screws (item 17).                       |  |                         |                         |

# PWD Drawer Assembly



| Item | Description               | PWD27                    | PWD30                    |
|------|---------------------------|--------------------------|--------------------------|
| 1    | Drawer Wrap               | 701121-02                | 701121-03                |
| 2    | Drawer Front Asy, w/ Logo | 701125AG/BK/BU/GN/SG/TS* | 701126AG/BK/BU/GN/SG/TS* |
| 3    | Door Handle               | 72936GR                  | 72938GR                  |
| 4    | Door Spacer               | 92126                    | 92126                    |
| 5    | Nut, Nylon, #10-24        | 83447                    | 83447                    |
| 6    | Moist Crisp Slide         | 36454                    | 36454                    |
| 7    | Door Backing Panel        | 102198-02E               | 102198-03E               |
| 8    | Screw, #10-32 x 3/4"      | 83696                    | 83696                    |
| 9    | Screw, #8-32 x 3/4"       | 83358                    | 83358                    |
| 10   | Damper Knob               | 82415B                   | 82415B                   |
| 11   | Screw, Wfr HD, #8 x 1/2"  | 83534                    | 83534                    |
| 12   | Dacor Logo                | 72510CH                  | 72510CH                  |

\*Includes drawer front with glass and Dacor logo installed. Two letters at end of part number specify glass color: AG = Anthracite gray, BK = Black, BU = Blue, GN = Green, SG = Sterling gray, TS = Titanium Silver