

The Dacor logo is rendered in a bold, italicized, sans-serif font with a metallic, 3D effect. The letters are dark with a lighter, reflective highlight on the top and left sides, giving it a sleek, modern appearance. A registered trademark symbol (®) is located at the end of the word.

# **dacor**®

The Life of the Kitchen.®

The background of the page is a faded, grayscale image of a kitchen. It shows a countertop with various items like a bowl, a bottle, and a basket, and a range hood above a stove. The text 'PARTS CATALOG' is overlaid on this image in a large, bold, sans-serif font with a slight shadow effect.

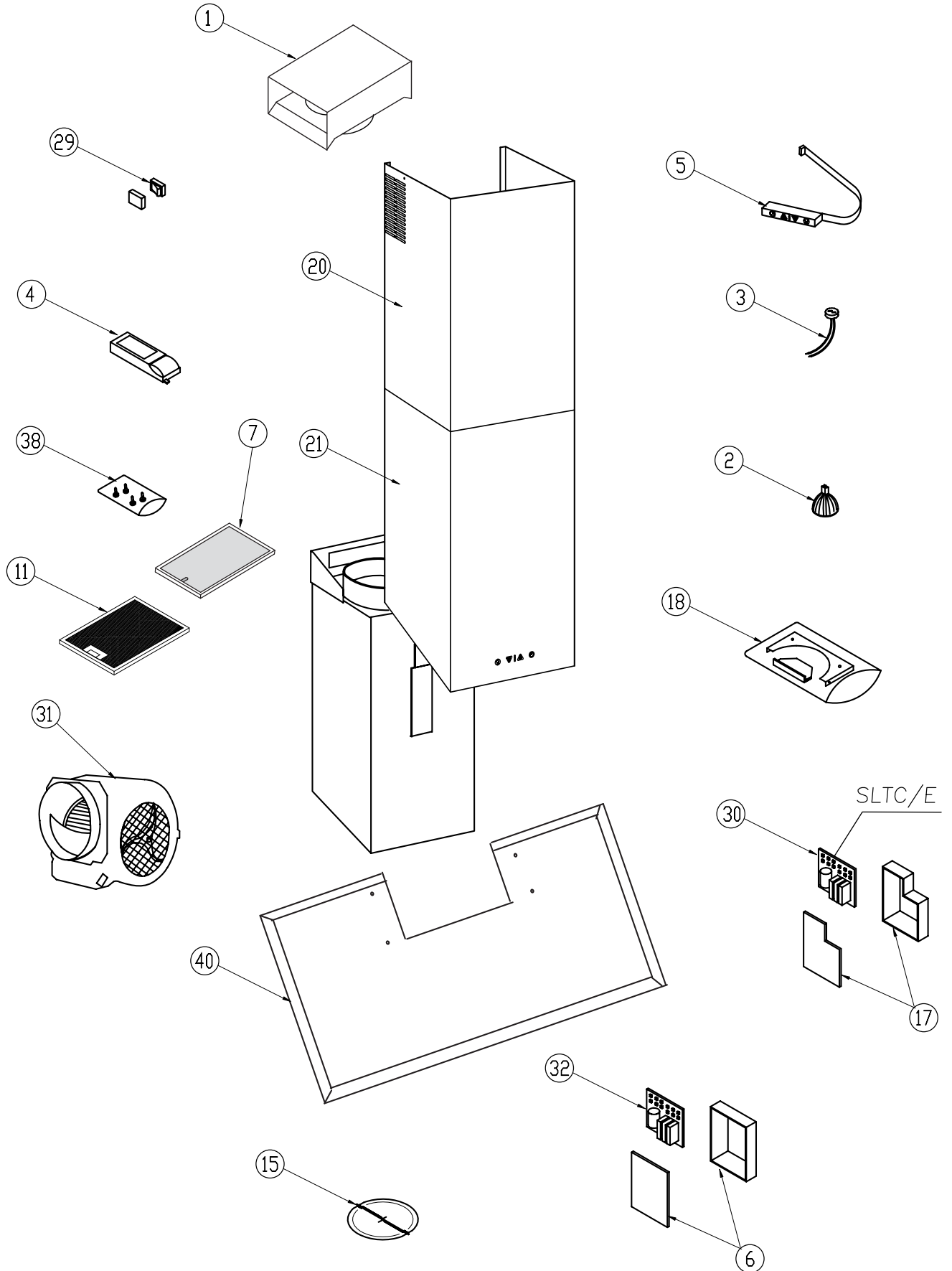
## **PARTS CATALOG**

### **PHW Series Range Hood**

<b>Page #</b>	<b>Description</b>
<b>2</b>	<b>Assembly</b>
<b>3</b>	<b>Parts List</b>

Revised 04-01-2014

# PHW Series Range Hood Assembly



# PHW Series Range Hood Parts List

Item	Part #	Description
1	AVPH1	Top Cap*
2	101945	Dichroic Lamp 50 Watt
3	101953	Dichroic Lamp Support
4	101946	Transformer
5	101966	Control Box Set
6	101960	Wiring Box Set
7	107915	Filter, Carbon**
11	101951	Grease Filter
15	101950	Aluminum Valve
17	101959	Wiring Box Set
18	101963	Accessory Bag for Modules
20	101957	Upper Chimney
21	101955	Lower Chimney
29	101962	Emergency Switch
30	101947	Main Control Board
31	101958	Motor Group
32	101948	External Blower Control Board
38	101965	8mm Screws for Glass Screen
40	PHG30AG	Anthracite Gray Glass
40	PHG30BK	Black Glass
40	PHG30BU	Blue Water Glass
40	PHG30SG	Sage Green Glass
40	PHG30GN	Green Glass
40	PHG30TS	Titanium Silver Glass
40	PHG36AG	Anthracite Gray Glass
40	PHG36BK	Black Glass
40	PHG36BU	Blue Water Glass
40	PHG36SG	Sage Green Glass
40	PHG36GN	Green Glass
40	PHG36TS	Titanium Silver

\* The top cap is used only on units with the recirculation kit installed. The part number shown is for the entire recirculation kit, which includes the carbon filters, item 7.

\*\* Used only on units with the recirculation kit (item 1) installed.