



The Life of the Kitchen.®

A photograph of a white Dacor PGM304-1 cooktop is shown in a kitchen setting. The cooktop features a stainless steel surface with six burners and a control panel with five knobs. A white bowl sits on one of the burners. The background shows a kitchen counter with various items like a fruit basket and a coffee maker.

PARTS CATALOG

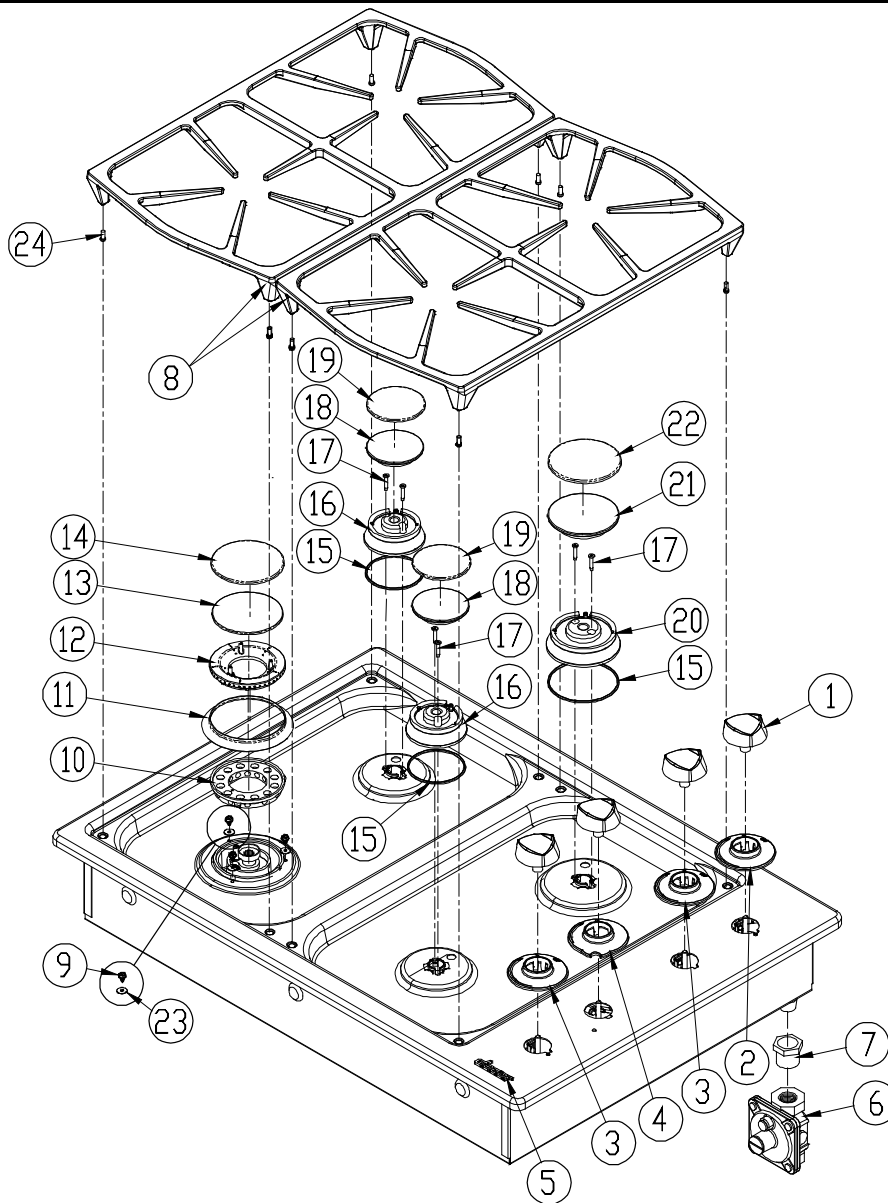
PGM304-1 Cooktop

| Page # | Description |
|--------|---------------------|
| 2 | Top Frame Assembly |
| 3 | Top Assembly |
| 4 | Chassis Assembly* |
| 5 | Burner/Tubes Valves |

*** IMPORTANT:** This model is not approved for field conversions from one gas type to another and from one altitude setting to another.

Revised 06-04-2012

PGM304-1 Top Frame Assembly



| Item | Part # | Description |
|------|--------------------|---|
| 1 | 72731 | Knob |
| 2 | 72995 | Spill Protector, LR |
| 3 | 72996 | Spill Protector, RF and RR |
| 4 | 72994 | Spill Protector, LF |
| 5 | 72945CH | Dacor Logo |
| 6 | 62834 | Regulator, 3/4" NG |
| | 72980 | Regulator, 3/4" LP |
| 7 | 83458 | Reducer Bushing, 3/4" x 1/2" |
| 8 | 72733SB | Grate, Double, Smooth Blk |
| 9 | 83707 | Screw, Pan HD, #6-32 |
| 10 | 92388 ¹ | Assy, 'C' Dual, Cross Ring ¹ |
| 11 | 92459 ² | Cross Ring Skirt, 'C' Dual ² |
| 12 | 103736 | Burner Head, 'C' Dual |

¹Use 92196 prior to S/N MG-06060020

| | | |
|----|--------------------|-------------------------------------|
| 13 | 92460 ³ | Top Cap, 'C' Dual ³ |
| 14 | 92231 | Top Cap Cover, 'C' Dual |
| 15 | 66799 ⁴ | O-Ring/Gasket Set, PGM ⁴ |
| 16 | 700174 | Assy, Burner Base, 'B' Single |
| 17 | 83672 | Screw, Torx, #6-32 x 3/4" |
| 18 | 92233 | Burner Head, 'B' Single |
| 19 | 92235 | Burner Head Cover, 'B' Single |
| 20 | 700175 | Assy, Burner Base, 'C' Single |
| 21 | 92234 | Burner Head, 'C' Single |
| 22 | 92236 | Burner Head Cover, 'C' Single |
| 23 | 83719 | Washer, #6 |
| 24 | 66916 ⁵ | Grate Support Pad Set ⁵ |

²Use 92225 prior to S/N MG-06060020

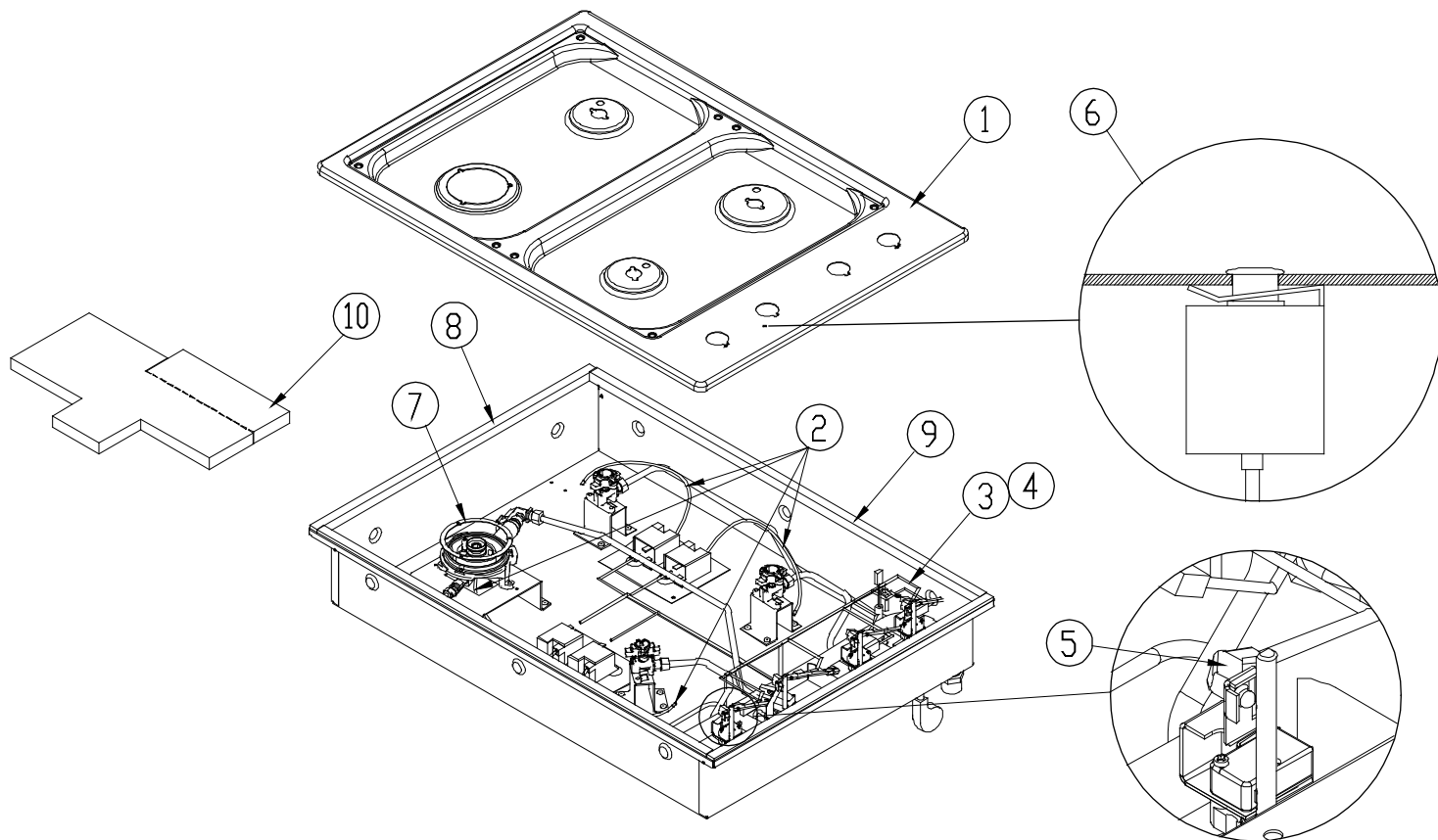
³Use 92229 prior to S/N MG-06060020

⁴Kit # 66799 includes complete set of o-rings/gaskets

⁵Kit # 66916 includes set of 4 support pads (rubber feet)



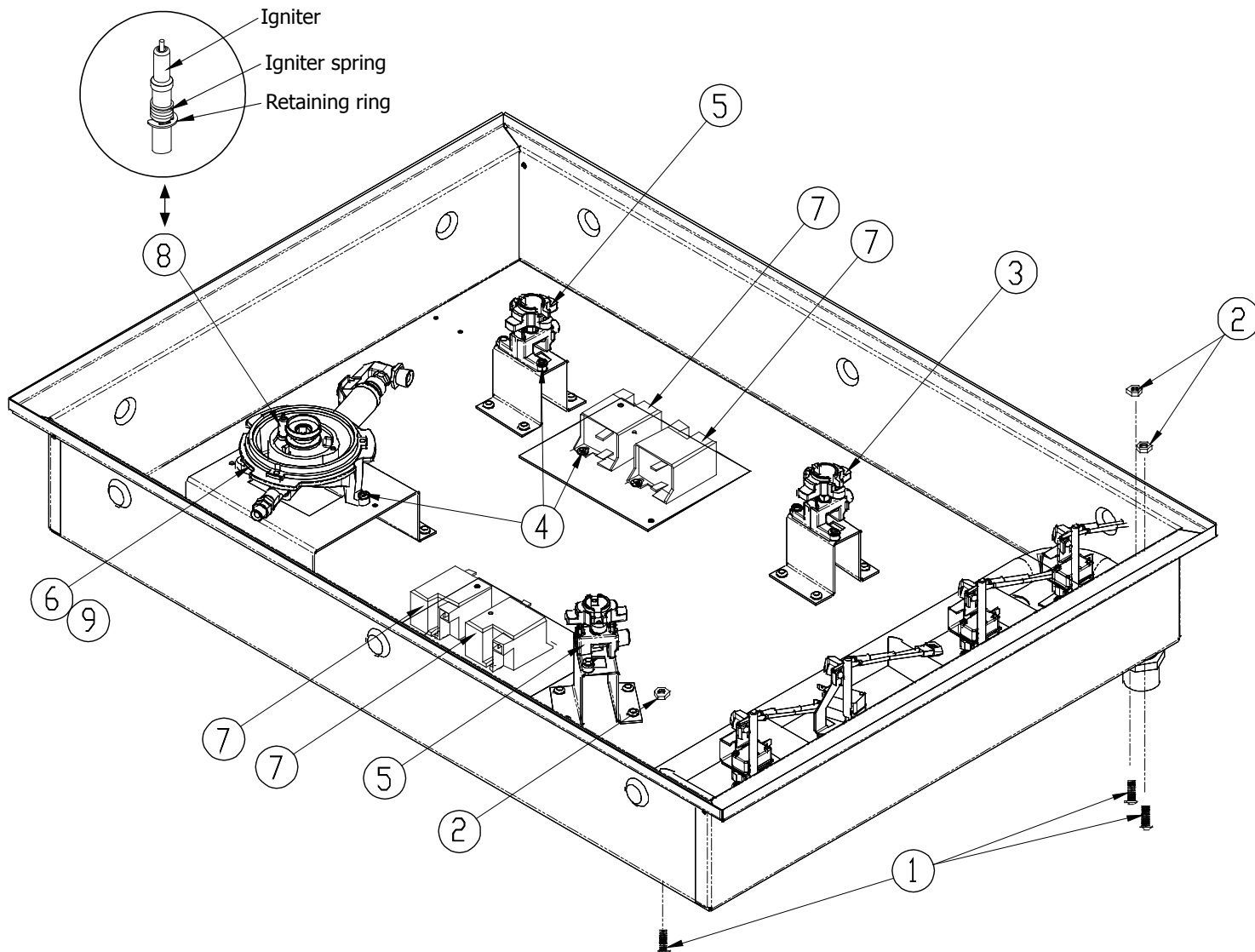
PGM304-1 Top Assembly



| Item | Part # | Description |
|---|---------------------|---|
| 1 | 700196 | Top Frame for model PGM304-1S, Rev. A |
| | 700197 | Top Frame for model PGM304-1S, Rev. B |
| | 700198 | Top Frame for model PGM304-1B, All |
| | 700199 | Top Frame for model PGM304-1R, All |
| 2 | 76001 ¹ | Service Kit, Wire Set ¹ |
| 3 | 72961 | Wire Harness |
| 4 | 76000 | Wire Harness, Serv (Complete) |
| 5 | 701613 ² | Service Kit, LED ² |
| 6 | 62036 | Indicator Light, Blue |
| 7 | 76452 | Gasket/Washer, Graphite, 'C' Dual |
| 8 | 92310-001 | Gasket, Foam, Chassis/Top Frame |
| 9 | 92310-002 | Gasket, Foam, Chassis/Top Frame |
| 10 | 81609 ³ | Insulation, Igniter, Right ³ |
| ¹ Kit # 76001 includes set of 4 igniter wires | | |
| ² Kit # 701613 includes 4 LED assemblies and 4 holders. Replace all 4 LEDs at the same time to make sure all lights are the same brightness. | | |
| ³ Used only on models PGM304-1B and PGM304-1R | | |

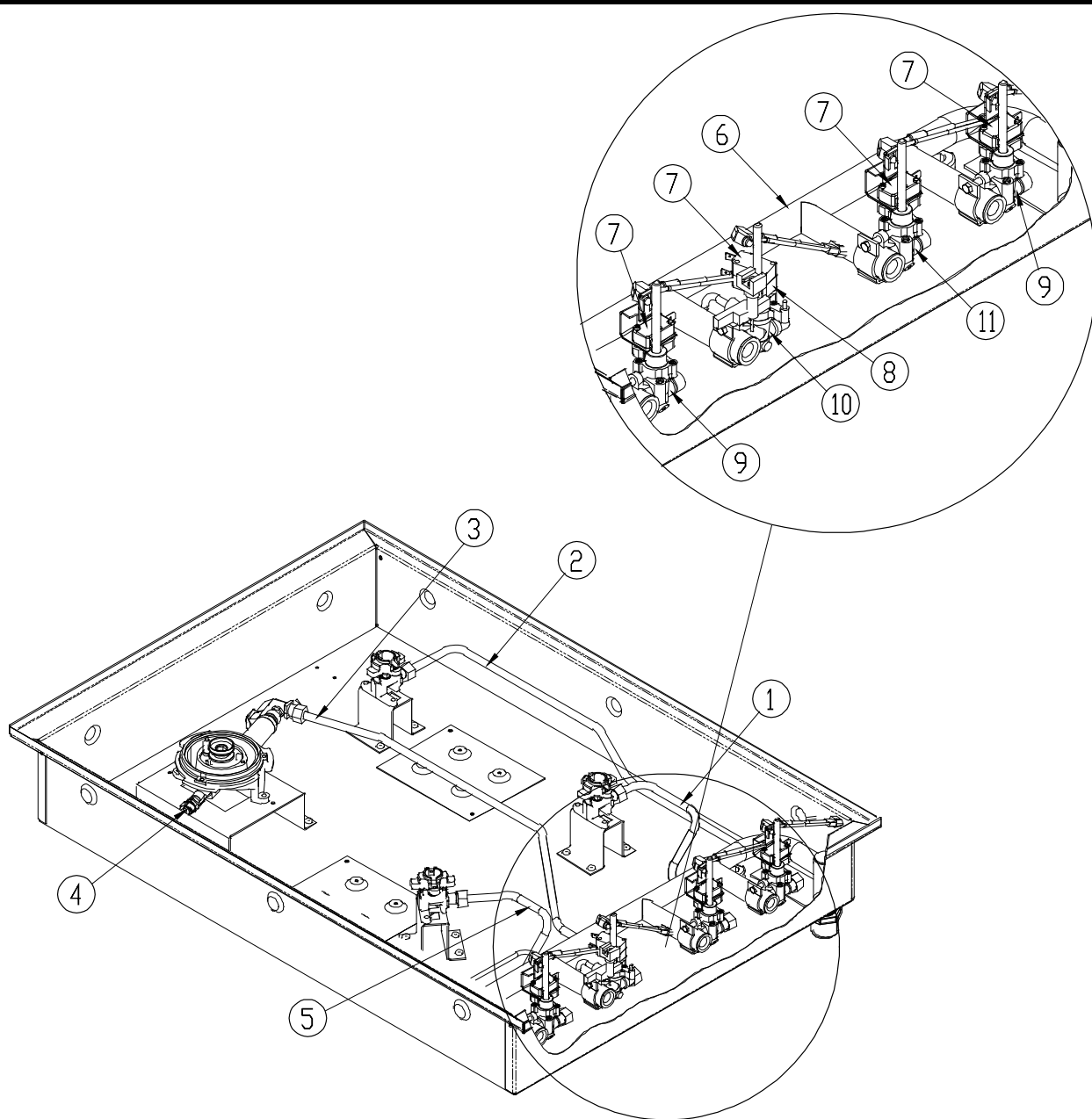
PGM304-1 Chassis Assembly

Igniter service kit includes:



| Item | Part # NG | Part # LP | Part # NG/H | Part # LP/H | Description |
|--|------------------------|------------------------|------------------------|------------------------|---|
| 1 | 83572 | 83572 | 83572 | 83572 | Screw, Phil Pan, #8-32 x 1" |
| 2 | 83048 | 83048 | 83048 | 83048 | Nut, Hex #8-32 |
| 3 | 72809NG | 72809LP | 72809NGH | 72809LPH | Jet Holder, 'C' Single |
| 4 | 83026 | 83026 | 83026 | 83026 | Screw, Slot HWH, #10 x 3/4" |
| 5 | 72806NG | 72806LP | 72806NGH | 72806LPH | Jet Holder, 'B' Single |
| 6 | 103743-01 ¹ | 103743-02 ¹ | 103743-03 ¹ | 103743-04 ¹ | 'C' Dual, Burner Base, 15k ¹ |
| 7 | 72634 | 72634 | 72634 | 72634 | Re-Ignition Module, Single Point |
| 8 | 76245 ² | 76245 ² | 76245 ² | 76245 ² | Service Kit, Igniter ² |
| 9 | 103801 | 103801 | 103801 | 103801 | 'C' Inner, Burner Base |
| ¹ Base includes igniter, to replace igniter only, order igniter service kit, item 8 | | | | | |
| ² Kit # 76245 includes 1 igniter, 1 igniter retaining ring and 1 igniter spring | | | | | |

PGM304-1 Burner Tubes/Valves



| Item | Part # NG | Part # LP | Part # NG/H | Part # LP/H | Description |
|------|-----------|-----------|-------------|-------------|------------------------------|
| 1 | 72955 | 72955 | 72955 | 72955 | Assy, Burner Tube, RR |
| 2 | 72952 | 72952 | 72952 | 72952 | Assy, Burner Tube, LR |
| 3 | 72953 | 72953 | 72953 | 72953 | Assy, Burner Tube, LF Main |
| 4 | 72954 | 72954 | 72954 | 72954 | Assy, Burner Tube, LF Simmer |
| 5 | 72981 | 72981 | 72981 | 72981 | Assy, Burner Tube, RF |
| 6 | 72950NG | 72950LP | 72950NGH | 72950LPH | Assy, Manifold/Valve |
| 7 | 66986 | 66986 | 66986 | 66986 | Microswitch "NO" |
| 8 | 66987 | 66987 | 66987 | 66987 | Mircoswitch "NC" |
| 9 | 66953NG | 66953LP | 66953NGH | 66953LPH | Burner Valve, 'B' Single |
| 10 | 66033NG | 66033LP | 66033NGH | 66033LPH | Burner Valve, 'C' Dual |
| 11 | 66971NG | 66971LP | 66971NGH | 66971LPH | Burner Valve, 'C' Single |