

The Dacor logo is rendered in a bold, italicized, sans-serif font with a metallic, 3D effect. The letters are dark with a lighter, reflective highlight on the top and left sides, giving it a sleek, modern appearance.

The Life of the Kitchen.®

A photograph of a white Dacor PCOR30 microwave oven integrated into a kitchen cabinet. The oven is positioned above a white ceramic sink. On the countertop to the left, there are various kitchen items including a bowl of fruit, a bottle of oil, and a small white bowl. The background shows a typical kitchen setting with wooden cabinets and a window with blinds.

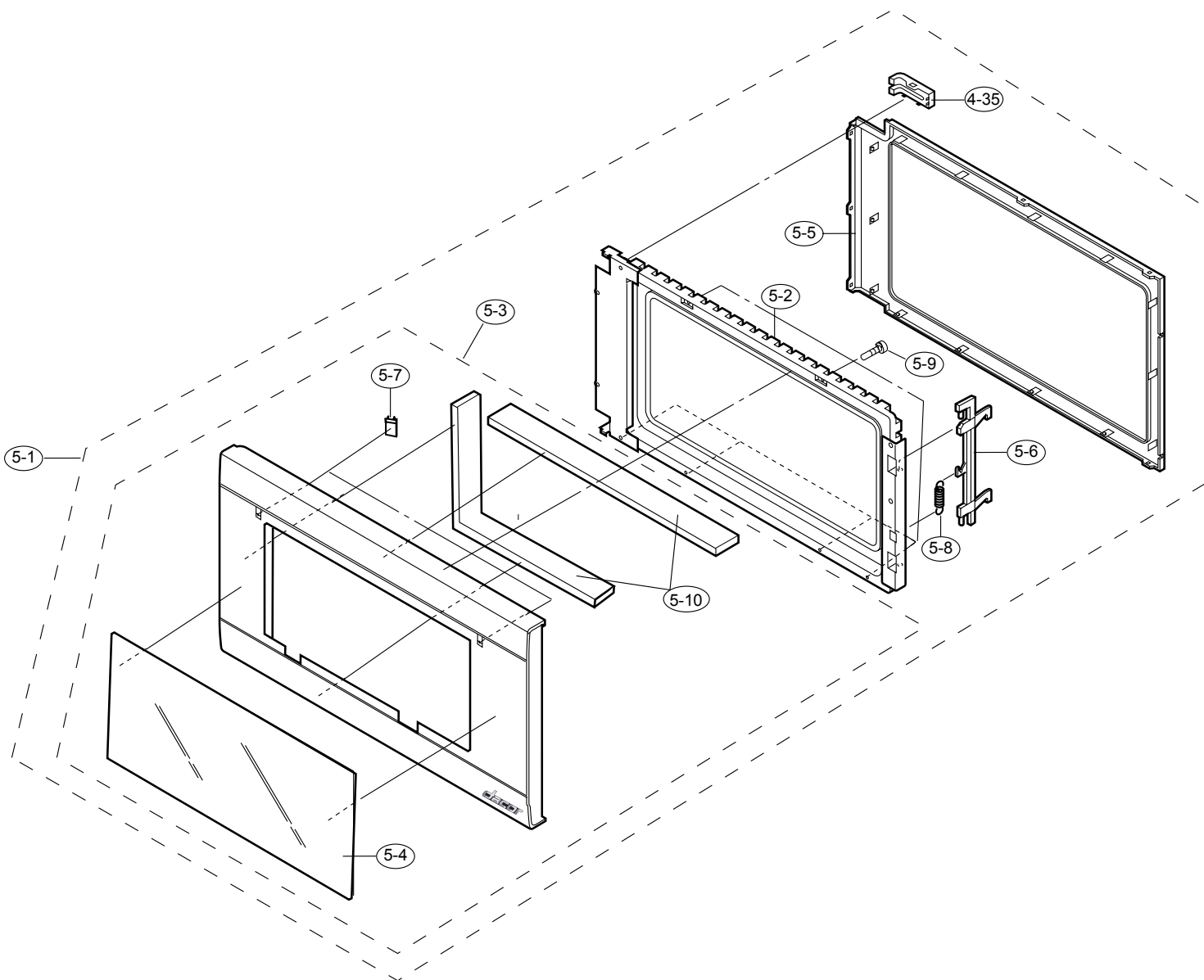
PARTS CATALOG

PCOR30 Microwave Oven

Page #	Description
2	Door Assembly
3	Control Panel Assembly
4	Hardware/Wiring Harnesses/Accessories
5-8	Oven and Cabinet Parts

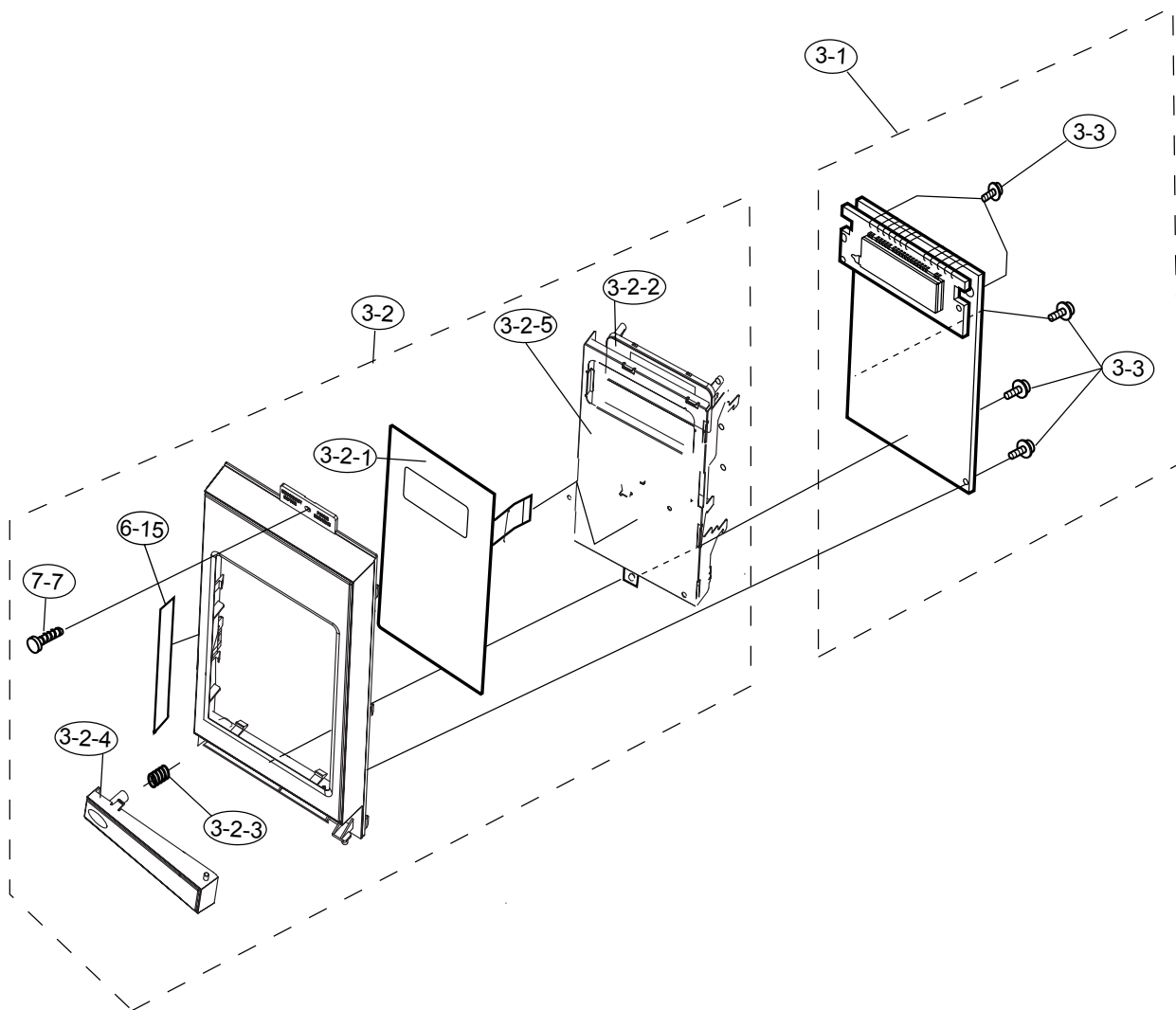
Revised 04-09-2015

PCOR30 Microwave Door Assembly



Item	Part #	Description
4-35	66696	DOOR STOPPER
5-1	66656B	DOOR ASSEMBLY, (PCOR30B)
	66656S	DOOR ASSEMBLY, (PCOR30S)
	66656R	DOOR ASSEMBLY, (PCOR30R)
5-2	66658	DOOR PANEL ASSEMBLY
5-3	66667B	DOOR FRAME (PCOR30B)
	66667S	DOOR FRAME (PCOR30S)
5-4	66010	DOOR GLASS FRONT
5-5	66685	CHOKE COVER
5-6	66697	LATCH HEAD
5-7	66699	GLASS STOPPER
5-8	66211	LATCH SPRING
5-9	66779	SCREW: 4MM X 8MM
5-10	66724	DOOR CUSHIONS

PCOR30 Microwave Control Panel Assembly

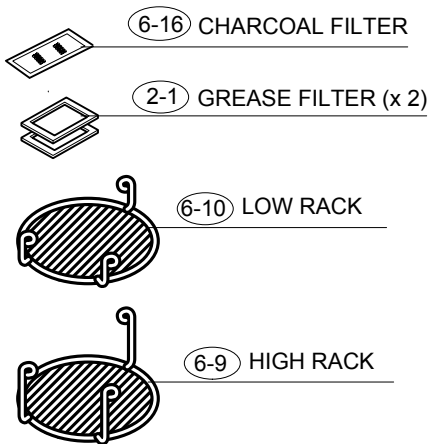
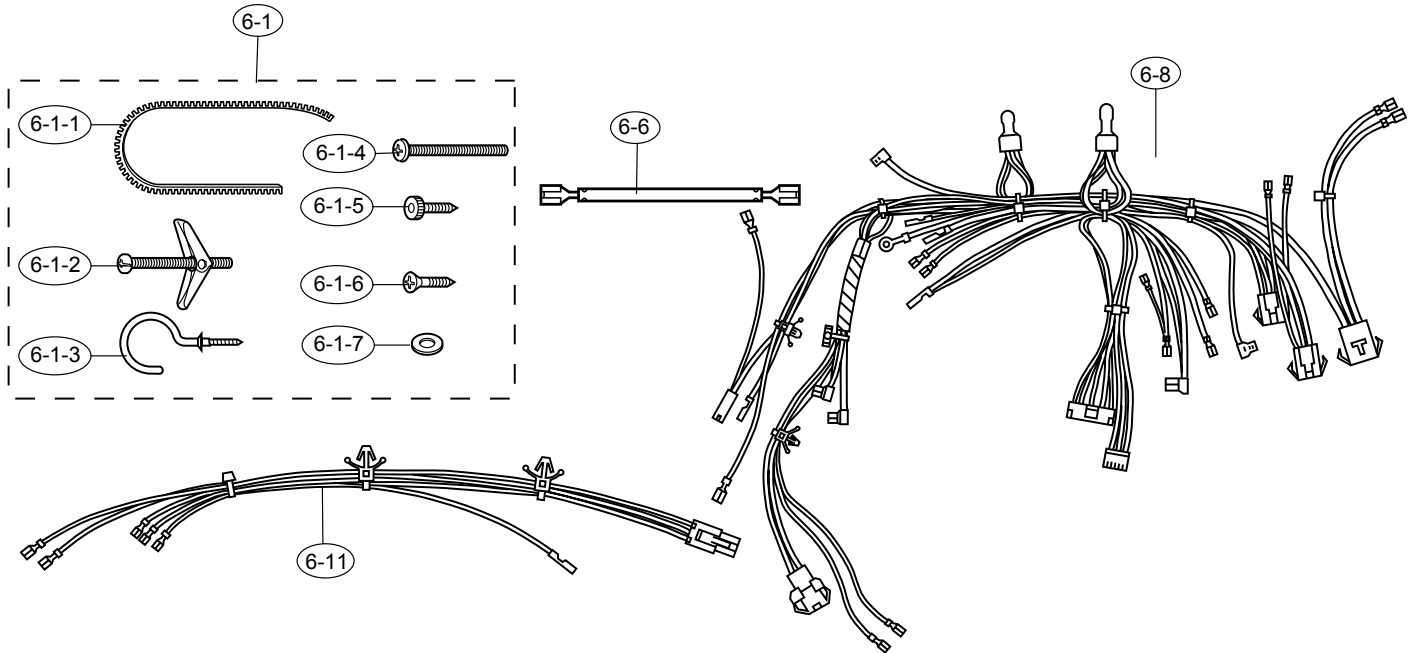


Item	Part #	Description
3-1	66660	CONTROL UNIT
3-2	105457*	CONTROL PANEL SUB ASSEMBLY (PCOR30B)
	105458	CONTROL PANEL SUB ASSEMBLY (PCOR30S)
	105459**	CONTROL PANEL SUB ASSEMBLY (PCOR30R)
3-2-1	66682B	KEY UNIT (PCOR30B, PCOR30S)
	66682R	KEY UNIT (PCOR30R)
3-2-2	66688	DISPLAY WINDOW
3-2-3	66709	OPEN BUTTON SPRING
3-2-4	66670B	OPEN BUTTON (PCOR30B)
	66670R	OPEN BUTTON (PCOR30R)
	66670S	OPEN BUTTON (PCOR30S)
3-2-5	66211	KEY FIXING
3-3	66263	SCREW; 3MM X 10MM
6-15	66022	USER CAUTION LABEL
7-7	66784	SCREW: 4MM X 12MM

* For units with a serial number lower than X-C-10461308. use PN 66679B

** For units with a serial number lower than X-C-10461308. use PN 66679R

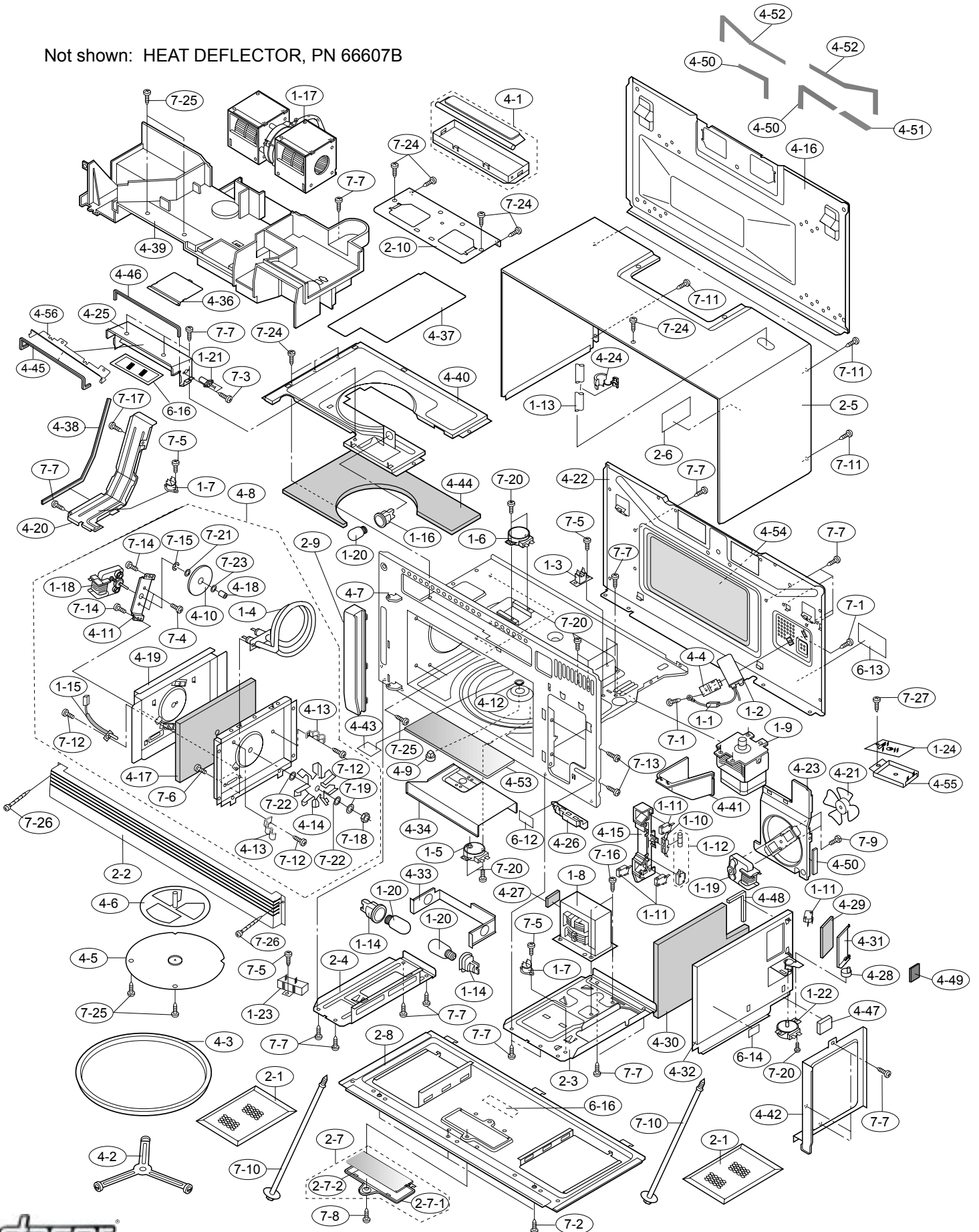
PCOR30 Hardware/Wiring Harnesses/Accessories



Item	Part #	Description
2-1	66225	GREASE FILTER
6-1	66657	INSTALLATION MATERIAL ASSEMBLY
6-1-1	66196	GROMMET
6-1-2	66204	TOGGLE SCREW
6-1-3	66209	CORD HOLDER
6-1-4	66019	SCREW: 5MM X 60MM
6-1-5	66784	SCREW: 4MM X 12M
6-1-6	66020	SCREW: 5MM X 35
6-1-7	66021	WASHER
6-6	66751	HIGH VOLTAGE WIRE A
6-8	66684	MAIN HARNESS A
6-9	66662	HIGH RACK
6-10	66661	LOW RACK
6-11	66683	MAIN HARNESS C
6-16	66023	CHARCOAL FILTER

PCOR30 Microwave Oven and Cabinet Parts

Not shown: HEAT DEFLECTOR, PN 66607B



PCOR30 Microwave Oven and Cabinet Parts

Electrical Parts		
Item	Part #	Description
1-1	66676	HIGH VOLTAGE RECTIFIER ASSEMBLY
1-2	66752	HIGH VOLTAGE CAPACITOR
1-3	86794	TEMPERATURE FUSE 150
1-4	66753	CONVECTION HEATER
1-5	66245	TURNTABLE MOTOR
1-6	66755	STIRRER MOTOR
1-7	76231	THERMAL CUTOUT N.O. 60 DEG. C
1-8	107919 ¹	POWER TRANSFORMER
1-9	66761	MAGNETRON
1-10	66233	FUSE HOLDER
1-11	66236	SECONDARY INTERLOCK, THIRD DOOR SENSING AND DAMPER SWITCHES
1-12	66006 ²	MONITOR NC SECONDARY INTERLOCK SWITCH WITH FUSE ASSEMBLY
1-13	66171	POWER SUPPLY CORD
1-14	66235	HOOD LAMP SOCKET
1-15	66677	THERMISTOR
1-16	66235	OVEN LAMP SOCKET
1-17	66678	HOOD FAN MOTOR
1-18	66757	CONVECTION MOTOR
1-19	66758	FAN MOTOR
1-20	66244	HOOD LAMP AND OVEN LAMP
1-21	66671	AH SENSOR
1-22	66756	DAMPER MOTOR
1-23	66759	NOISE RESISTOR
1-24	66680	NOISE FILTER

¹ Replace transformer wiring harness when replacing transformer. Order part number 108131.

² Before replacing the monitor switch, consult Dacor service bulletin 04-02 (Monitor Switch). The bulletin can be downloaded from www.dacorservice.com/partscatalog. Click on the "microwaves" link, then "PCOR30."

Cabinet Parts		
Item	Part #	Description
2-1	66225	GREASE FILTER
2-2	66690B	HOOD EXHAUST LOUVER (PCOR30B)
	66690S	HOOD EXHAUST LOUVER (PCOR30S)
	66690R	HOOD EXHAUST LOUVER (PCOR30R)
2-3	66687	BASE PLATE RIGHT
2-4	66686	BASE PLATE LEFT
2-5	66666B	OUTER CABINET (PCOR30B, PCOR30S)
	66666R	OUTER CABINET (PCOR30R)
2-6	66773	SCHEMATIC DIAGRAM
2-7	66172	HOOD LAMP GLASS ASSEMBLY (PCOR30B, PCOR30S)
	66172R	HOOD LAMP GLASS ASSEMBLY (PCOR30R)
2-7-1	66692B	HOOD LAMP GLASS ANGLE (PCOR30B, PCOR30S)
	66692R	HOOD LAMP GLASS ANGLE (PCOR30R)
2-7-2	66228	HOOD LAMP GLASS
2-8	66715B	BASE COVER (PCOR30B, PCOR30S)
	66715R	BASE COVER (PCOR30R)
2-9	66669B	SASH LEFT (PCOR30B)
	66669S	SASH LEFT (PCOR30S)
	66669R	SASH LEFT (PCOR30R)
2-10	66699	REAR STAY

continued...

PCOR30 Microwave Oven and Cabinet Parts

Oven Parts		
Item	Part #	Description
4-1	66675	EXHAUST DAMPER ASSEMBLY
4-2	100657*	TURNTABLE SUPPORT ASSEMBLY
4-3	100658**	TURNTABLE TRAY
4-4	66691	CAPACITOR HOLDER
4-5	66668	STIRRER COVER ASSEMBLY
4-6	66674	STIRRER FAN ASSEMBLY
4-7	-----	OVEN CAVITY (NOT REPLACEABLE)
4-8	66659	CONVECTION HEATER ASSEMBLY
4-9	66710	COUPLING
4-10	66711	CONVECTION MOTOR FAN
4-11	66694	CONVECTION MOTOR ANGLE
4-12	66743	TURN TABLE MOTOR PACKING
4-13	66008	HEATER MOUNTING HOLDER
4-14	66712	CONVECTION FAN
4-15	66742	LATCH HOOK
4-16	66665	UNIT MOUNTING PLATE
4-17	66738	HEAT PROTECT LEFT
4-18	66744	COLLAR
4-19	66747	HEATER COVER
4-20	66733	HOOD INTAKE DUCT LEFT
4-21	66713	FAN BLADE
4-22	-----	BACK PLATE (NOT SERVICABLE)
4-23	66672	FAN DUCT
4-24	66196	CORD BUSHING
4-25	66010	EXHAUST DUCT
4-26	66708	OPEN LEVER
4-27	66721	CUSHION
4-28	66707	DAMPER CAM
4-29	66726	DAMPER CUSHION
4-30	66011	HEAT PROTECT RIGHT

Cabinet Parts		
Item	Part #	Description
4-31	66741	DAMPER PLATE
4-32	66746	THERMAL COVER R
4-33	66012	HOOD LAMP ANGLE
4-34	66013	THERMAL COVER BOTTOM
4-35	66696	DOOR STOPPER
4-36	66716	OVEN LAMP COVER
4-37	66717	HEAT PROTECT TOP SHEET
4-38	66719	CUSHION
4-39	66730	HOOD EXHAUST DUCT
4-40	66731	TOP DUCT
4-41	66732	MAGNETRON DUCT
4-42	66248	HOOD INTAKE DUCT R
4-43	66736	OVEN LIGHT SCREEN
4-44	66739	HEAT PROTECT TOP
4-45	66722	EXHAUSTION CUSHION A
4-46	66723	EXHAUST CUSHION B1
4-47	66014	CUSHION
4-48	66725	CUSHION
4-49	66727	CUSHION
4-50	66221	CUSHION
4-51	66729	CUSHION
4-52	66728	CUSHION
4-53	66740	HEAT PROTECT BOTTOM
4-54	66015	HEAT PROTECT REAR
4-55	66693	NOISE FILTER
4-56	66734	EXHAUST DUCT

continued...

* Use PN 66681 for microwaves with the following serial numbers:

- Model PCOR30B with serial number below 3081025
- Model PCOR30R with serial number below 3181246
- Model PCOR30S with serial number below 3112098

** Use PN 66714 for microwaves with the following serial numbers

- Model PCOR30B with serial number below 3081025
- Model PCOR30R with serial number below 3181246
- Model PCOR30S with serial number below 3112098

PCOR30 Microwave Oven and Cabinet Parts

Screws, Nuts and Washers		
Item	Part #	Description
7-1	66778	SCREW: 4MM X 8MM
7-2	66024	SCREW: 4MM X 10MM, (PCOR30B, PCOR30S)
7-3	66259	SCREW: 3MM X 8MM
7-4	66774	SCREW: 3MM X 6MM
7-5	66259	SCREW: 3MM X 8MM
7-6	66775	SCREW: 4MM X 6MM
7-7	66784	SCREW: 4MM X 12MM
7-8	66785	SCREW: 4MM X 10MM (PCOR30R)
7-9	66782	SCREW
7-10	66702	UNIT MOUNTING SCREW
7-11	66704	SPECIAL SCREW
7-12	66777	SCREW: 3MM X 6MM
7-13	66703	SPECIAL SCREW
7-14	66781	SCREW: 4MM X 8MM
7-15	66787	E-RING
7-16	66784	SCREW: 4MM X 12MM
7-17	66780	SCREW: 4MM X 8MM
7-18	66706	NUT: 4MM X 3.2MM
7-19	66791	SPRING WASHER
7-20	66701	SCREW: 4MM X 8MM
7-21	66788	WASHER: 5MM X 2MM
7-22	66789	WASHER: 4MM X 0.8MM
7-23	66790	WASHER: 5MM X 0.8MM
7-24	66783	SCREW: 4MM X 8MM
7-25	66786	SCREW: 4MM X 10MM
7-26	66025	HOOD LOUVER SCREWS (PCOR30B)
	66705	HOOD LOUVER SCREWS (PCOR30R, PCOR30S)
7-27	66784	SCREW: 4MM X 12MM