

The Dacor logo is rendered in a bold, italicized, sans-serif font with a metallic, 3D effect. The letters are dark with a lighter, reflective highlight on the top and left sides, giving it a sleek, industrial appearance. A registered trademark symbol (®) is located at the end of the word.

dacor

The Life of the Kitchen.®

A faded background image of a kitchen featuring a Dacor OGC30 Grill Cart. The cart is a large, stainless steel unit with a built-in oven and a grill top. It is positioned on a wooden countertop. Various kitchen items like a bowl, a pot, and a cutting board are visible on the counter around the grill cart.

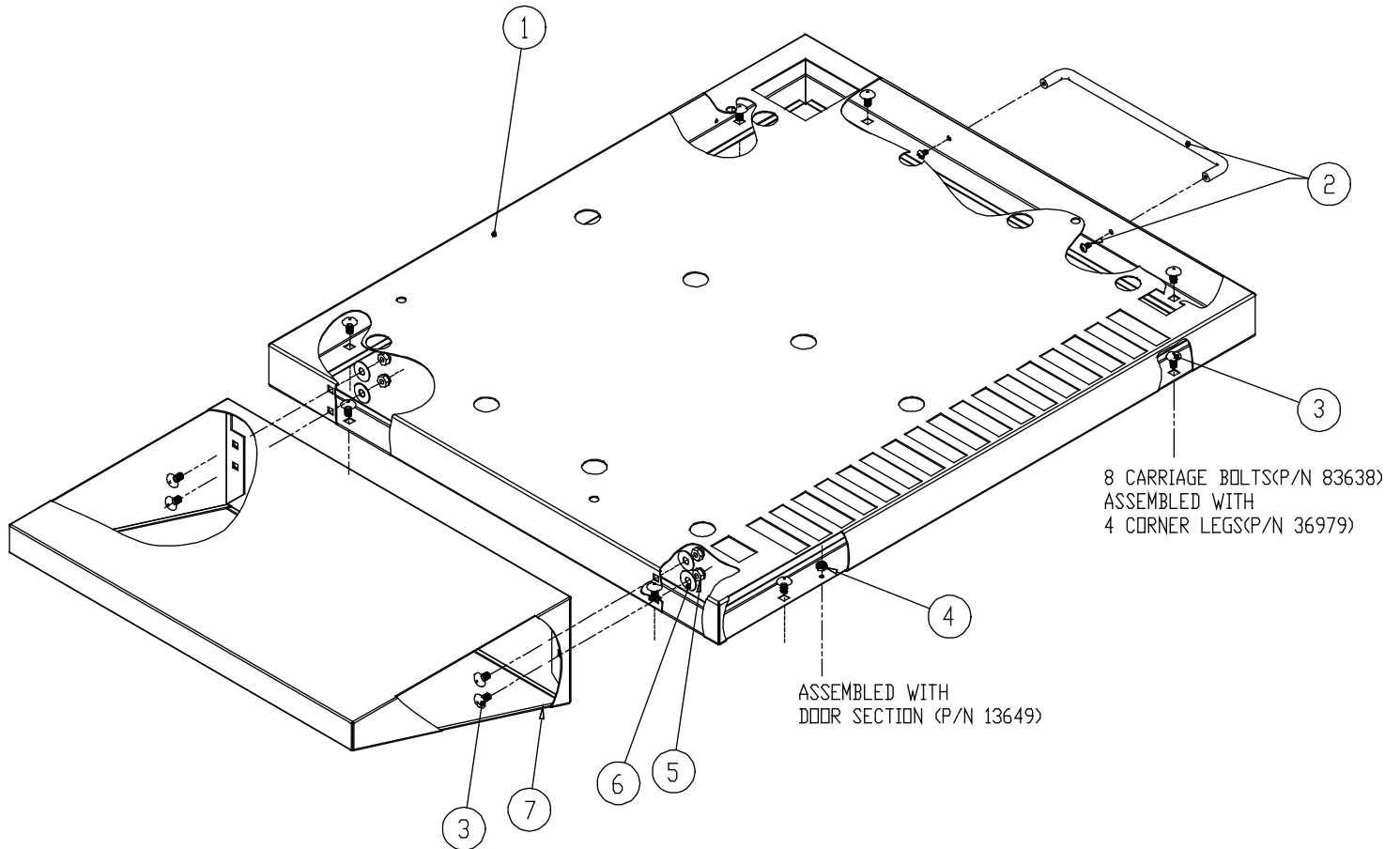
PARTS CATALOG

OGC30 Grill Cart

Page	Description
2	Top Section
3	Bottom Section
4	Center Section

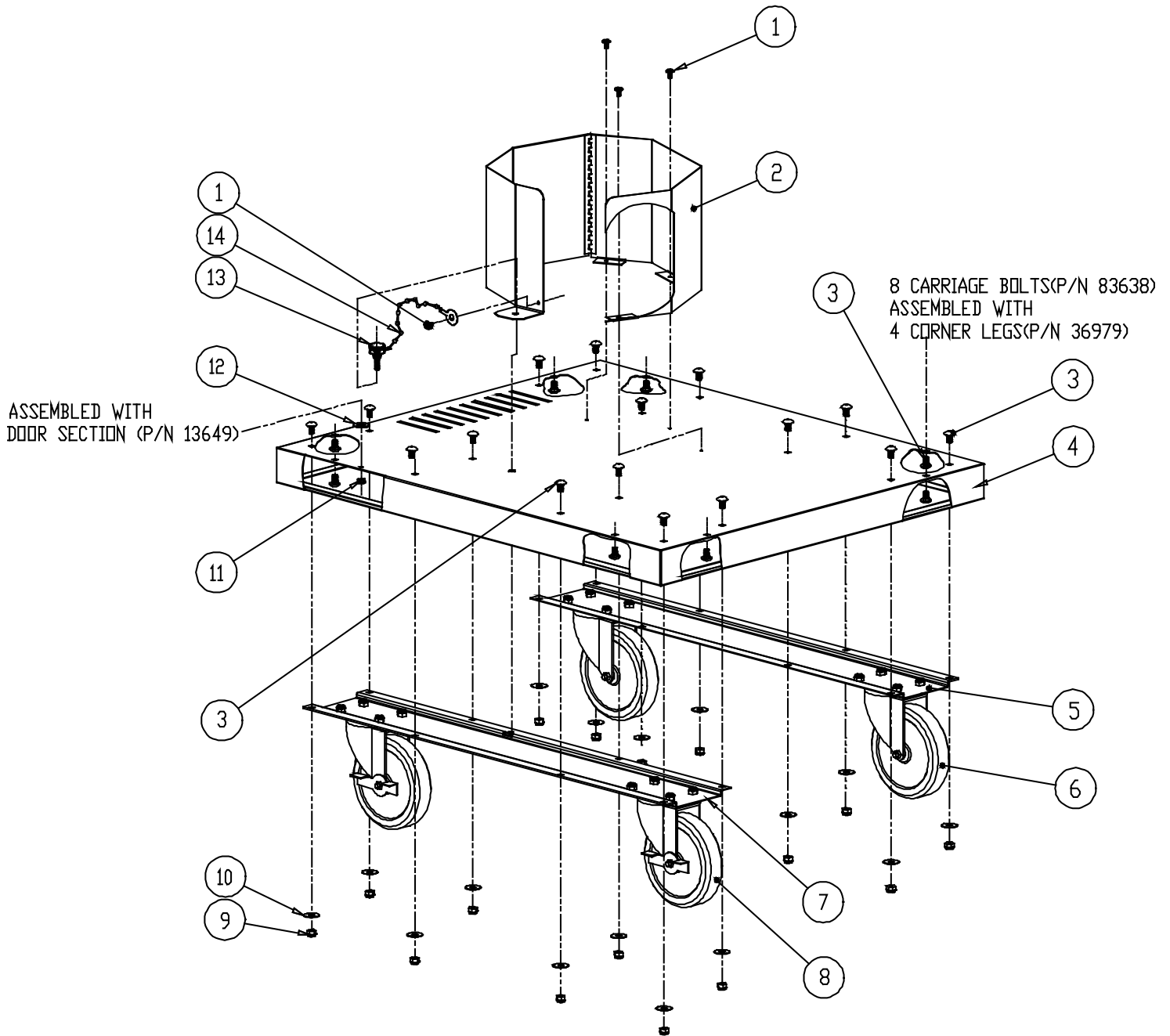
Revised 05-21-2013

OGC30 Grill Cart Top Section



Item	Part #	Description
1	38426	TOP BOX FRAME
2	72673	HANDLE (2 SCREWS INCLUDED)
3	83638	1/4-20 X 5/8 CARRIAGE BOLT
4	83645	10-32 THIN PATTERN NYLON, LOCK NUT S.S. BOLT
5	83642	1/4-20 NYLON INSERT LOCK NUT S.S. BOLT
6	83468	1/4 SAE FLATWASHER S.S.
7	13658	CART SHELF

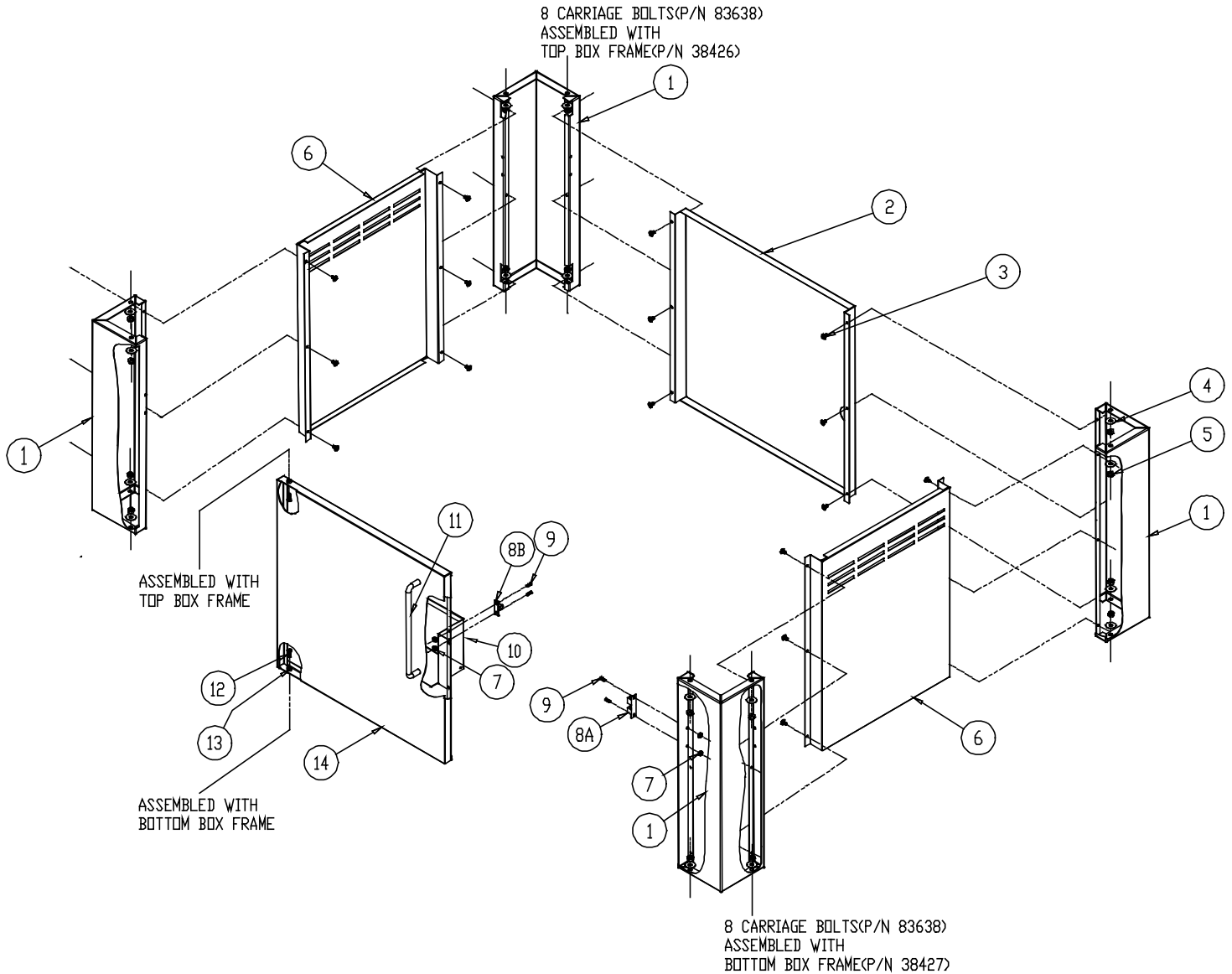
OGC30 Grill Cart Bottom Section



Item	Part #	Description
1	83619	SCREW, WFR. HD, #8 X 3/8 S.S.
2	13654	TANK HOLDER ASSY.
3	83638	1/4-20 X 5/8 CARRIAGE BOLT
4	38427	BOTTOM BOX FRAME
5	36984	REAR CASTER CHANNEL
6	72671	REAR CASTER
7	27844	FRONT CASTER CHANNEL

Item	Part #	Description
8	72672	FRONT CASTER WITH BRAKE
9	83642	1/4-20 NYLON INSERT LOCK NUT S.S. BOLT
10	83468	1/4 SAE FLAT WASHER S.S.
11	83645	10-32 THIN PATTERN NYLON, LOCK NUT S.S. BOLT
12	83484	3/8 FLAT WASHER S.S.
13	83648	10-24 X 5/8 KNURLED THUMB
14	83650	#10 X 4" OVERALL LENGTH BALL CHAIN W/F

OGC30 Grill Cart Center Section



Item	Part #	Description
1	36979	CORNER LEG
2	36981	REAR PANEL
3	83619	SCREW, WFR, HD, #8 X 3/8 S.S.
4	83468	1/4 SAE FLATWASHER S.S.
5	83642	1/4-20 NYLON INSERT LOCK NUT S.S. BOLT
6	36980	SIDE PANEL
7	83308	#6-32 NUT, KEPS
8A	72676	DOOR CATCH (FEMALE)

Item	Part #	Description
8B	72676	DOOR CATCH (MALE)
9	83483	COUNTERSINK SCREW
10	36983	POCKET
11	72673	HANDLE (2 SCREWS INCLUDED)
12	83643	10-32 X 5/8 HEX MACHINE SCREW S.S.
13	83644	3/8 RND. X 3/8 X 192 SPACER S.S.
14	13649	DOOR ASSEMBLY, OGC30