

The Dacor logo is rendered in a bold, italicized, sans-serif font with a metallic, 3D effect. The letters are dark with a lighter, reflective highlight on the top and left sides, giving it a sleek, modern appearance. A registered trademark symbol (®) is located at the end of the word.

dacor

The Life of the Kitchen.®

A faded background image of a Dacor outdoor grill cart. The cart is white with a stainless steel top and is positioned on a wooden deck. On the grill, there is a white bowl and a large pot. The background shows a kitchen counter with various items like a bowl of fruit and a coffee maker.

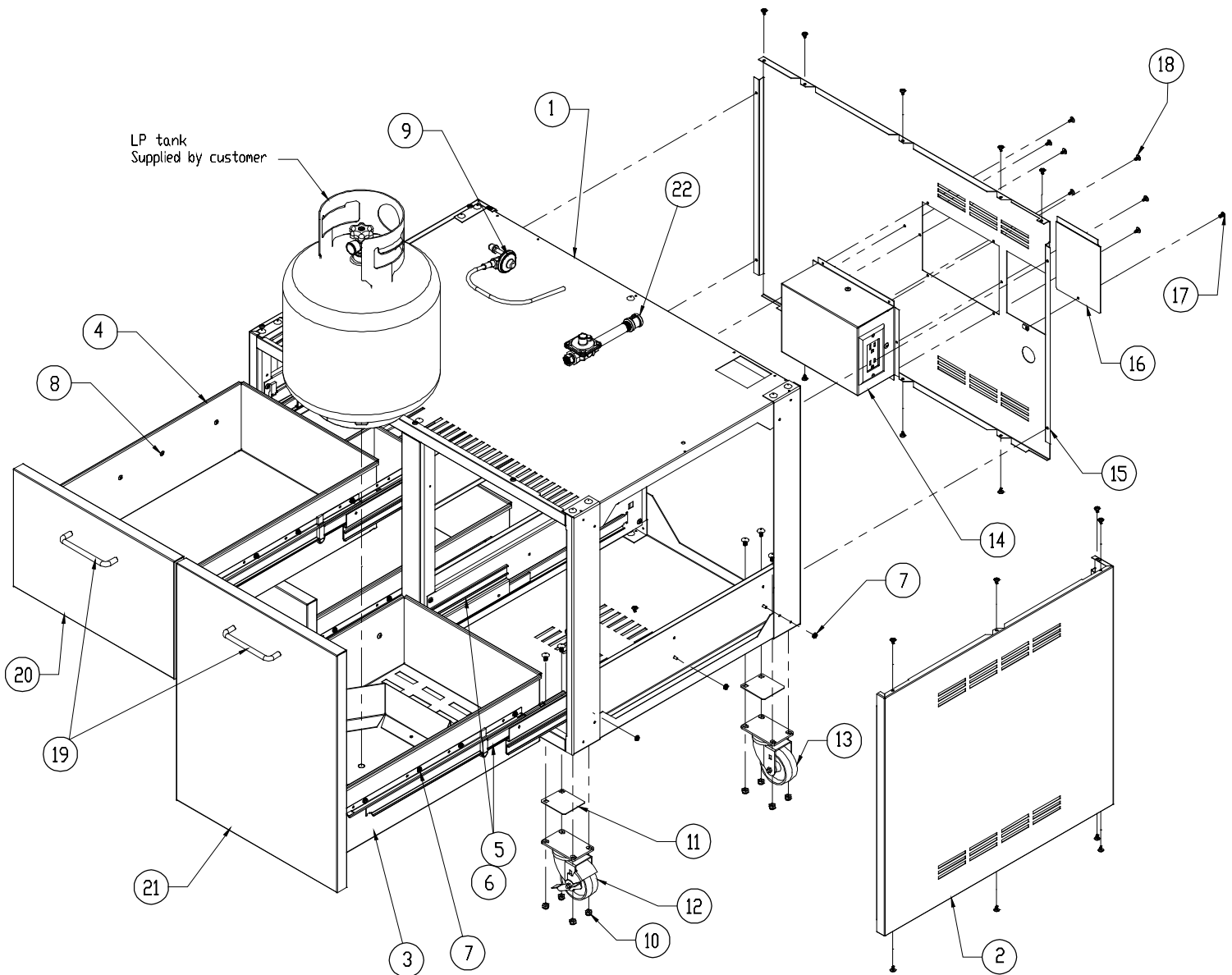
PARTS CATALOG

OBC36, OBC52, OBCW52 Outdoor Grill Cart

Page #	Description
2	OBC36 Assembly
3	OBC52 Assembly
4	OBCW52 Assembly
5	Electric Box Assembly

Revised 05-11-2012

OBC36 Outdoor Grill Cart Assembly



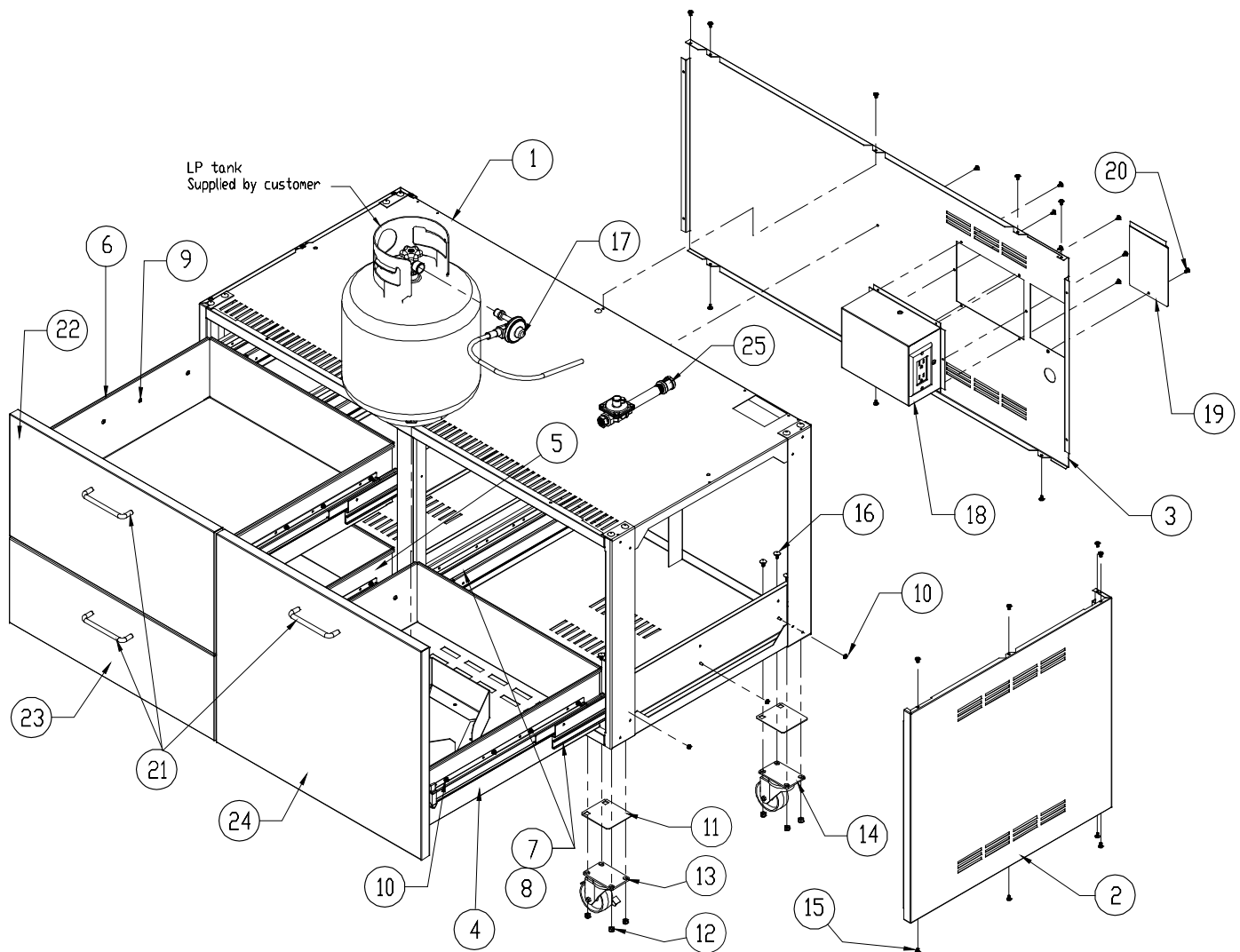
Item	Part #	Description
1	Non-replaceable	36 Frame Assy
2	101005	Panel, Left Right Side
3	700450	Assy, LP Tank Drawer
4	700449	Drawer Assy
5	72207	Slide Rail Set, RH and LH
6	72207	
7	83048	Nut, Keps, 8-32
8	102365	Screw, Truss Head 8-32
9	72310	Regulator, LP (Tank)
10	83642	Nut, Self Lock, 1/4-20 Nylon
11	102282	Caster Shim
12	101145	Caster, Front Lock
13	101146	Caster Rear, No Lock

Item	Part #	Description
14	700600 ¹	Assy, Electric Box ¹
15	101007	Rear Panel
16	102279	Cover Plate, Regulator
17	102563	Screw, 10-32 x 3/8 Phil
18	83619	Screw, WFR HD #8 x 3/8
19	72360	Handle
20	101021	Drawer Front
21	101012	Drawer Front
22	700597NP	Assy, Regulator NG
	700597LP	Assy, Regulator LP (Whole House LP System)
23	83467 ²	Bolt, Hex, 1/4-20 x 1/2 (not shown) ²
24	83468 ²	Washer, 3/8 O.D. x (not shown) ²

¹Also see Electric Box Assembly page.

²Used to attach unit to optional grill cart, supplied in envelope with unit.

OBC52 Outdoor Grill Cart Assembly



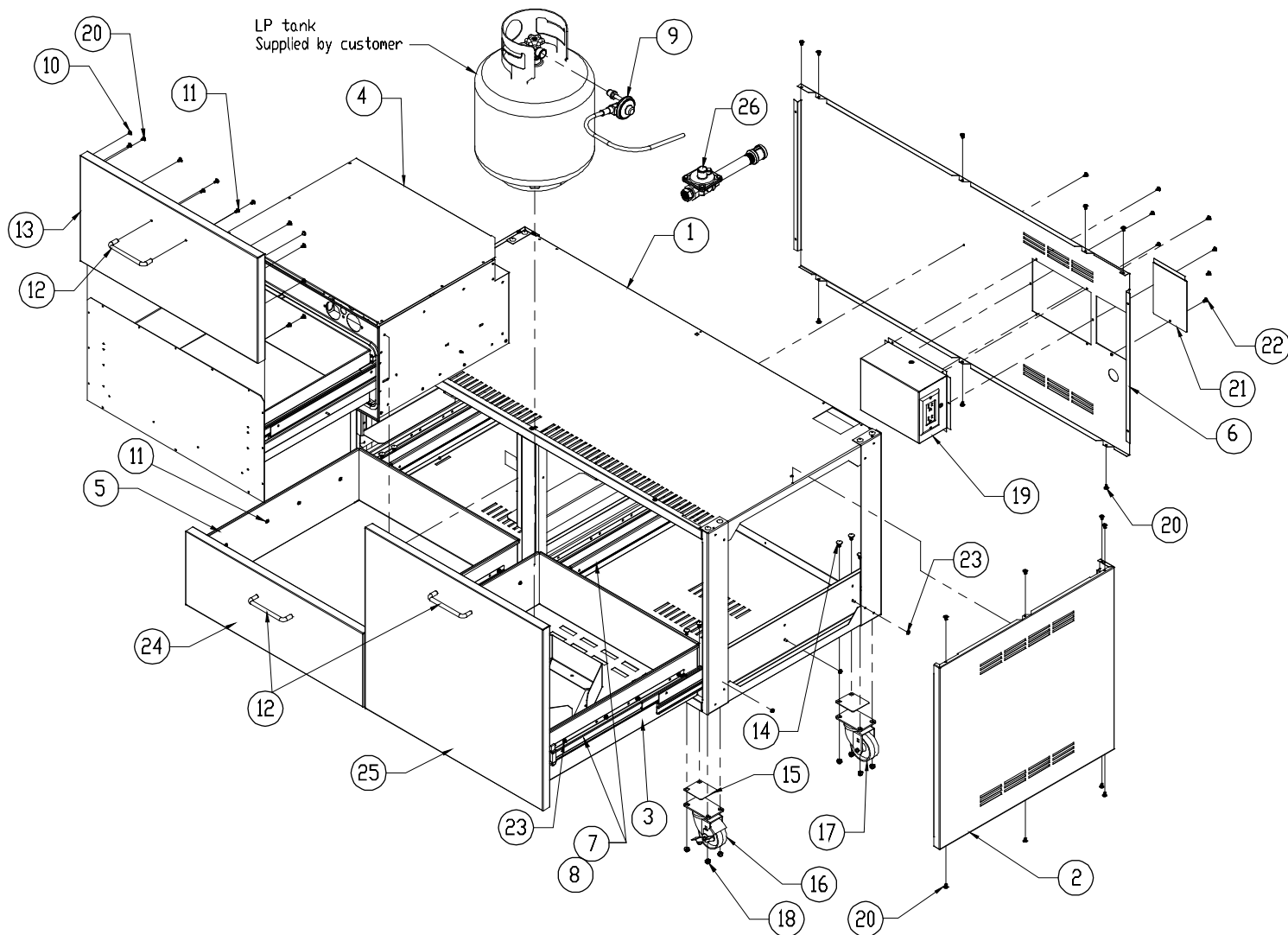
Item	Part #	Description
1	Non-Replaceable	52 Frame Assy
2	101005	Panel Left/Right Side
3	101020	52 Panel Rear
4	700681	52 Tank Drawer Assy
5	700683	52 Bottom Drawer Assy
6	700682	52 Top Drawer Assy
7	72207	Slide Rail Set, RH & LH
8	72207	
9	102365	Screw, 8-32 TRS HD
10	83048	Nut Keps, 8-32
11	102282	Caster Shim
12	83642	Nut, Self Lock, 1/4-20 Nylon
13	101145	Caster, Front Lock
14	101146	Caster, Rear, No Lock

Item	Part #	Description
15	83619	Screw, WFR HD #8 x 3/8
16	83638	Bolt 1/4-20 x 5/8 Sq Neck
17	101578	Regulator, LP (Tank)
18	700600 ¹	Assy, Electric Box ¹
19	102279	Regulator Cover Plate
20	102563	Screw, 10-32 x 3/8" Phil
21	72360	Handle
22	101027	Top Drawer Panel
23	101024	Bottom Drawer Panel
24	101015	Tank Drawer Panel
25	700597NP	Assy, Regulator NG
	700597LP	Assy, Regulator LP (Whole House LP System)
26	83467 ²	Bolt, Hex, 1/4-20 x 1/2 (not shown) ²
27	83468 ²	Washer, 3/8 O.D. x (not shown) ²

¹Also see Electric Box Assembly page.

²Used to attach unit to optional grill cart, supplied in envelope with unit.

OBCW52 Outdoor Grill Cart Assembly



Item	Part #	Description
1	Non-Replaceable	Assy, Cart Frame w/ IOWO Brkt
2	101005	Panel, Left/Right Side
3	700681	52 Tank Drawer Assy
4	700798	IOWO24 Warming Oven Assy
5	700683	52 Bottom Drawer Assy
6	101020	52 Panel, Rear
7	72207	Slide Rail Set, RH & LH
8	72207	
9	101578	Regulator, LP (Tank)
10	102291	1/8" Rubber Bumper
11	102365	Screw, Truss HD Phil
12	72360	Handle
13	700800	Drawer Panel
14	83638	Bolt, 1/4-20 x 5/8 Sq Neck
15	102282	Caster, Shim

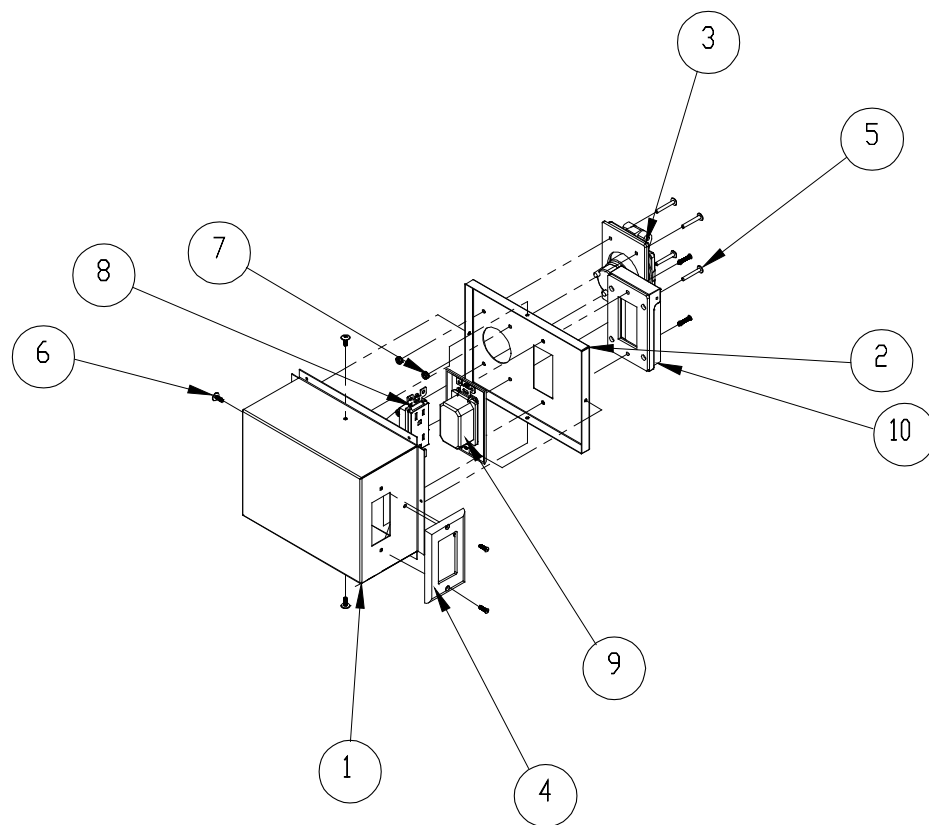
Item	Part #	Description
16	101145	Caster Front, w/ Brake
17	101146	Caster Rear, 3"
18	83642	1/4-20 SS Locknut
19	700600**	Assy, Electric Box**
20	83619	Screw, WFR HD #8 x 3/8
21	102279	Cover Plate Regulator
22	102563	Screw, Phil, 10-32 x 3/8
23	83048	Nut, Hex Keps #8 - 32
24	101024	Bottom Drawer Panel
25	101015	Tank Drawer Panel
26	700597NP	Assy, Regulator NG
	700597LP	Assy, Regulator LP (Whole House LP System)
27	83467 ²	Bolt, Hex, 1/4-20 x 1/2 (not shown) ²
28	83468 ²	Washer, 3/8 O.D. x (not shown) ²



¹Also see Electric Box Assembly page.

²Used to attach unit to optional grill cart, supplied in envelope with unit.

Outdoor Grill Cart Electric Box Assembly



Item	Part #	Description
1	46088	Electrical Box
2	46085	Electric Box Front
3	72904	Electric Outlet, 1 Male NEMA
4	72922	Plate, Cover, Outlet
5	83617	Screw, #8-32 x 1.25" Blk
6	83684	Screw, Phil, # 10-24 x 1/2"
7	83048	Nut, Hex Keps, #8-32
8	72903	Electric Outlet, 2 Female, 110
9	72905	Electric Outlet, 2 Female GFCI
10	72921	Cover, Outlet, Waterproof