

The Dacor logo is rendered in a bold, italicized, sans-serif font with a metallic, 3D effect. The letters are dark with a lighter, reflective highlight on the top and left sides, giving it a sleek, modern appearance. A registered trademark symbol (®) is located at the end of the word.

dacor®

The Life of the Kitchen.®

A faded background image of a kitchen featuring a Dacor warming oven. The oven is a large, stainless steel unit with a glass door and a control panel. It is set on a wooden countertop. Various kitchen items like a bowl, a pot, and a dish are visible on the counter around the oven.

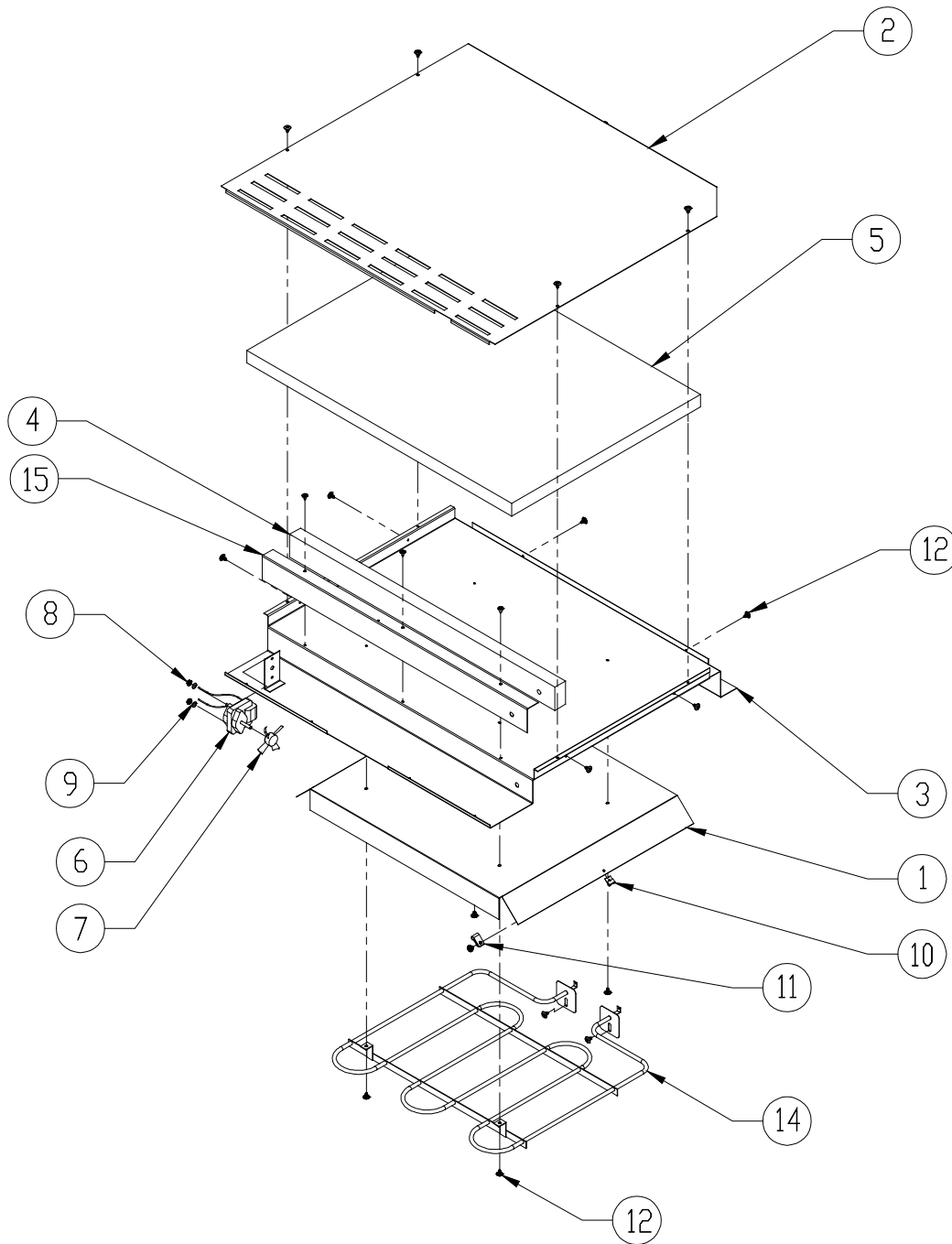
PARTS CATALOG

MW27, MW30 Warming Oven

Page #	Description
2	Top Can Assembly
3	Cabinet Assembly
4	Front Frame Assembly
5	Drawer Assembly

Revised 06-29-2012

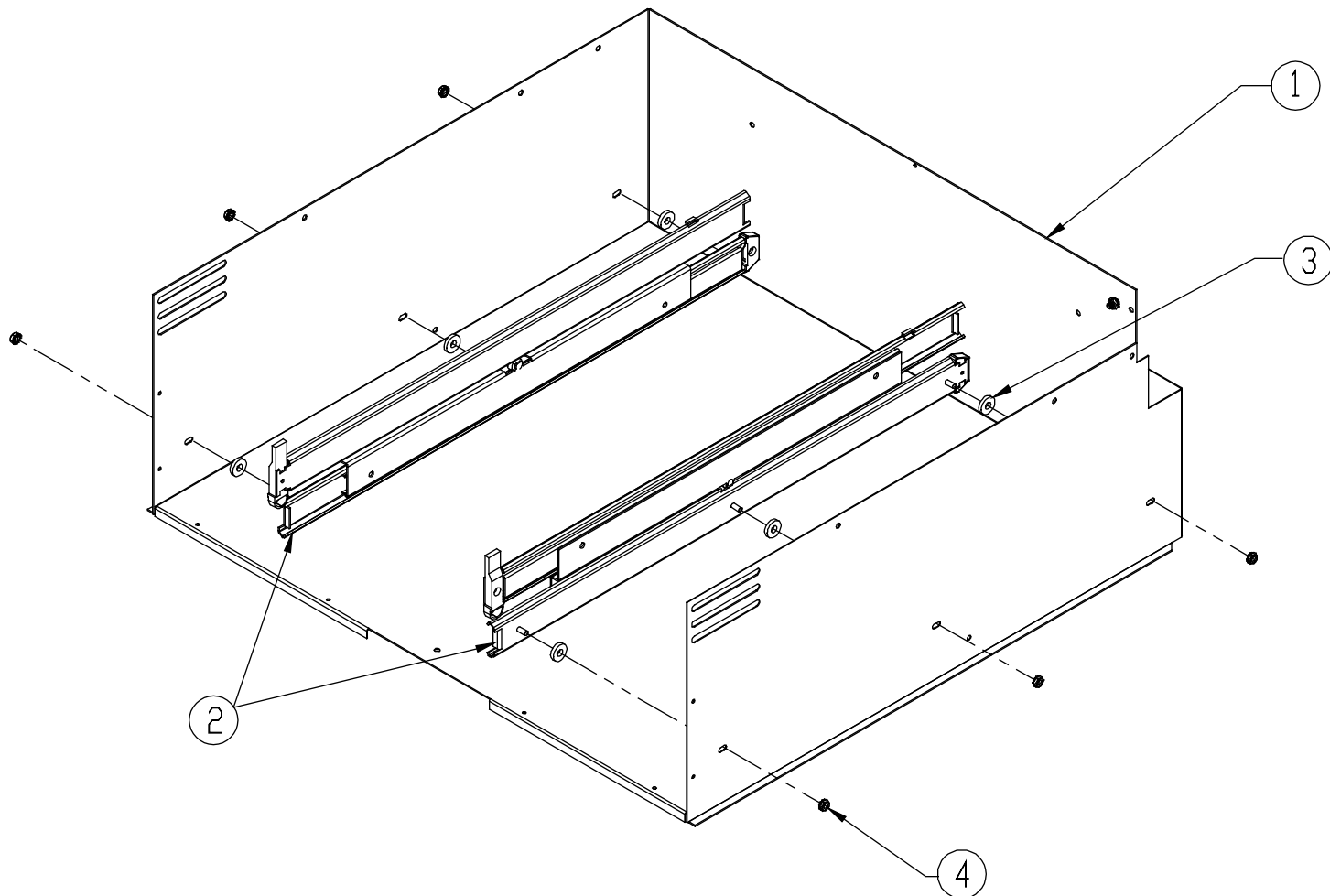
MW Warming Oven Top Can Assembly



Item	Part #	Description
1	26668	Reflector
2	26671	Top Cover
3	27222	Assy, Top Can
4	82627	Control Insulation
5	82626	Top Insulation
6	92324	Motor, W/O, 120 VAC
7	92325	Fan Blade

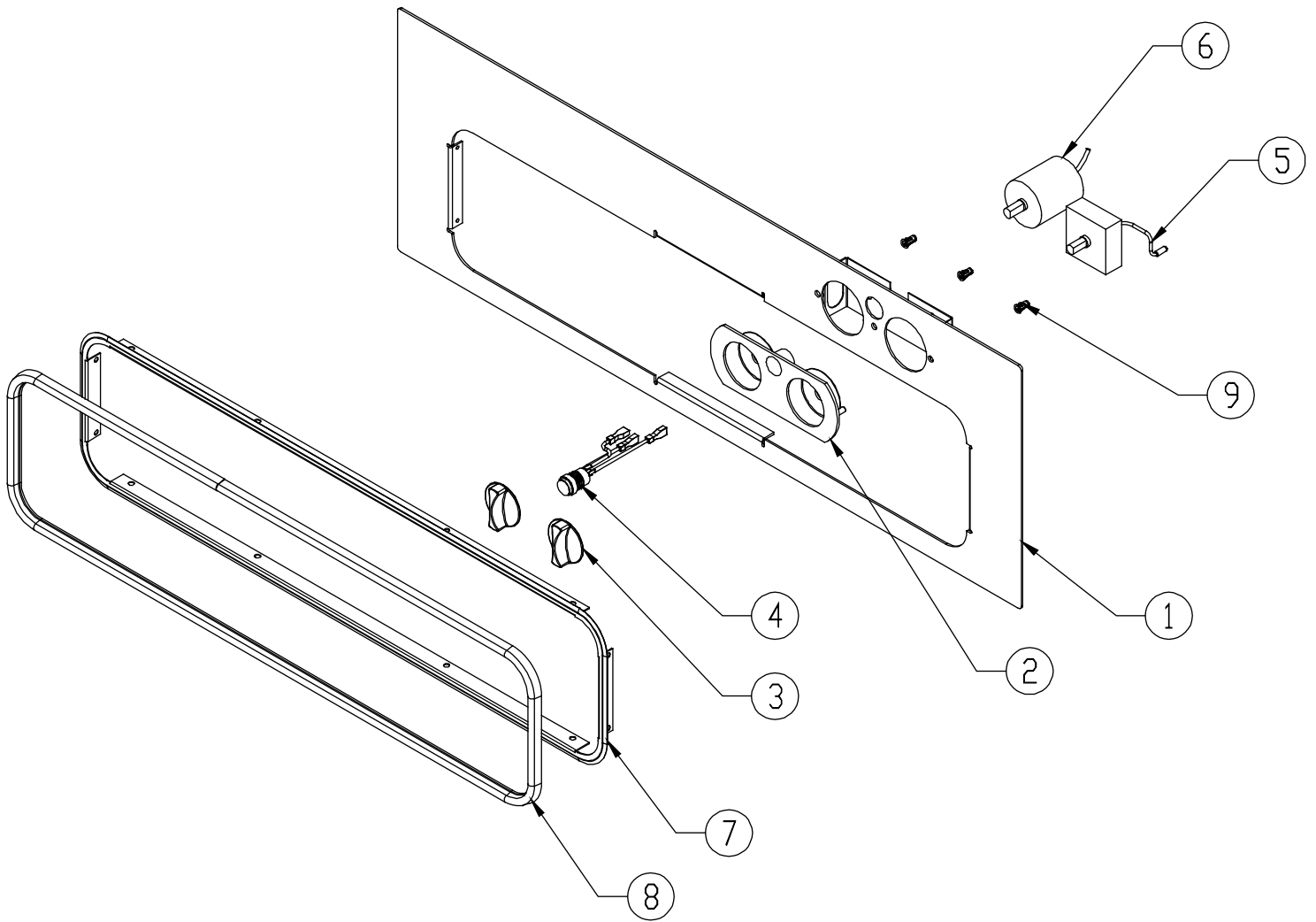
Item	Part #	Description
8	83308	Nut, Keps, #6-32
9	83272	Washer, STL, Zinc
10	83436	Clip "J" Type
11	83267	Clip, Sensor Bulb
12	83534	Screw, WFR HD, #8 x 3/8"
13	83402	Screw, Phil HD, #8 x 3/8"
14	82351	Heating Element
15	26673	Insulation Cover

MW Warming Oven Cabinet Assembly



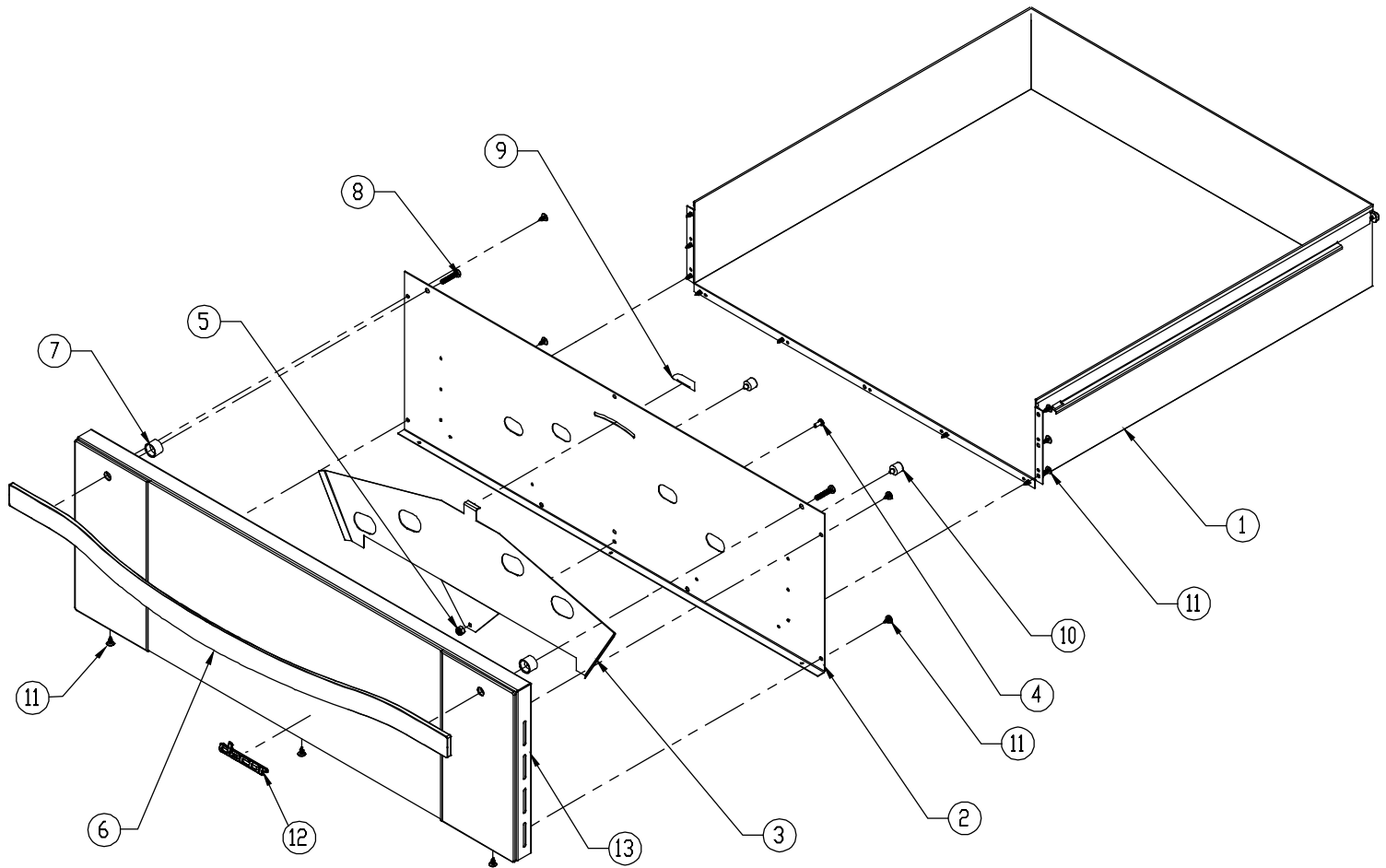
Item	Part #	Description
1	27204	Assy, Cabinet
2	72737	Slide Rail Set, LH/RH
3	83555	Washer, Fiber w/ Adh. 1-Side
4	83048	Nut, Hex Keps, #8-32

MW Warming Oven Front Frame Assembly



Item	Part # 27"	Part # 30"	Description
1	N/A	27142B	Assy, Front Frame, 30"
	27216B	N/A	Assy, Front Frame, 27"
2	62786B	62786B	Bezel, Warming Ovens
3	82267B	82267B	Control Knob
4	72880	72880	Switch, Snorkel
5	62734	62734	Temp Controller
6	72889	72889	Timer
7	26681	26681	Gasket Retaining Trim
8	82280B	82280B	Gasket
9	83266	83266	Tubular Fastener

MW Warming Oven Drawer Assembly



Item	Part # 27"	Part # 30"	Description
1	701213	701213	Assy, Drawer
2	46138E	46141E	Drawer Front
3	36454	36454	Moist/Crisp Slide
4	83358	83358	Screw, Pan HD, #8-32 x 3/8"
5	83447	83447	Nut, Nylon, #10-24
6	72935	72937	Handle, Door
7	92126	92126	Door Spacer
8	83692	83692	Screw, Pan HD, #10-32 x 1"
9	82415B	82415B	Knob, Damper - Black
10	83578	83578	Rubber Bumber, Snap-In
11	83263	83263	Screw, Phil HD, #8 x 3/8"
12	72510CH	72510CH	Dacor Logo, 3"
13	701214-03 ¹	701214-01 ¹	Assy, Drawer Glass, Frame, MWV/S
	701214-04 ²	701214-02 ²	Assy, Drawer Glass, Frame, MWH/S
	701214-06 ³	701214-05 ³	Assy, Drawer Glass, Frame, MW/B

¹Part number shown includes door skin with glass, Dacor logo, and vertical trim pieces installed. Does NOT include handle, drawer front (item 2) and moist crisp slide (item 3).

²Part number shown includes door skin with glass, Dacor logo, and horizontal trim pieces installed. Does NOT include handle, drawer front (item 2) and moist crisp slide (item 3).

³Part number shown includes door skin with glass and Dacor logo installed. Does NOT include handle, drawer front (item 2) and moist crisp slide (item 3).