



LET THE SHOW BEGIN

PARTS CATALOG

MRV3015/B

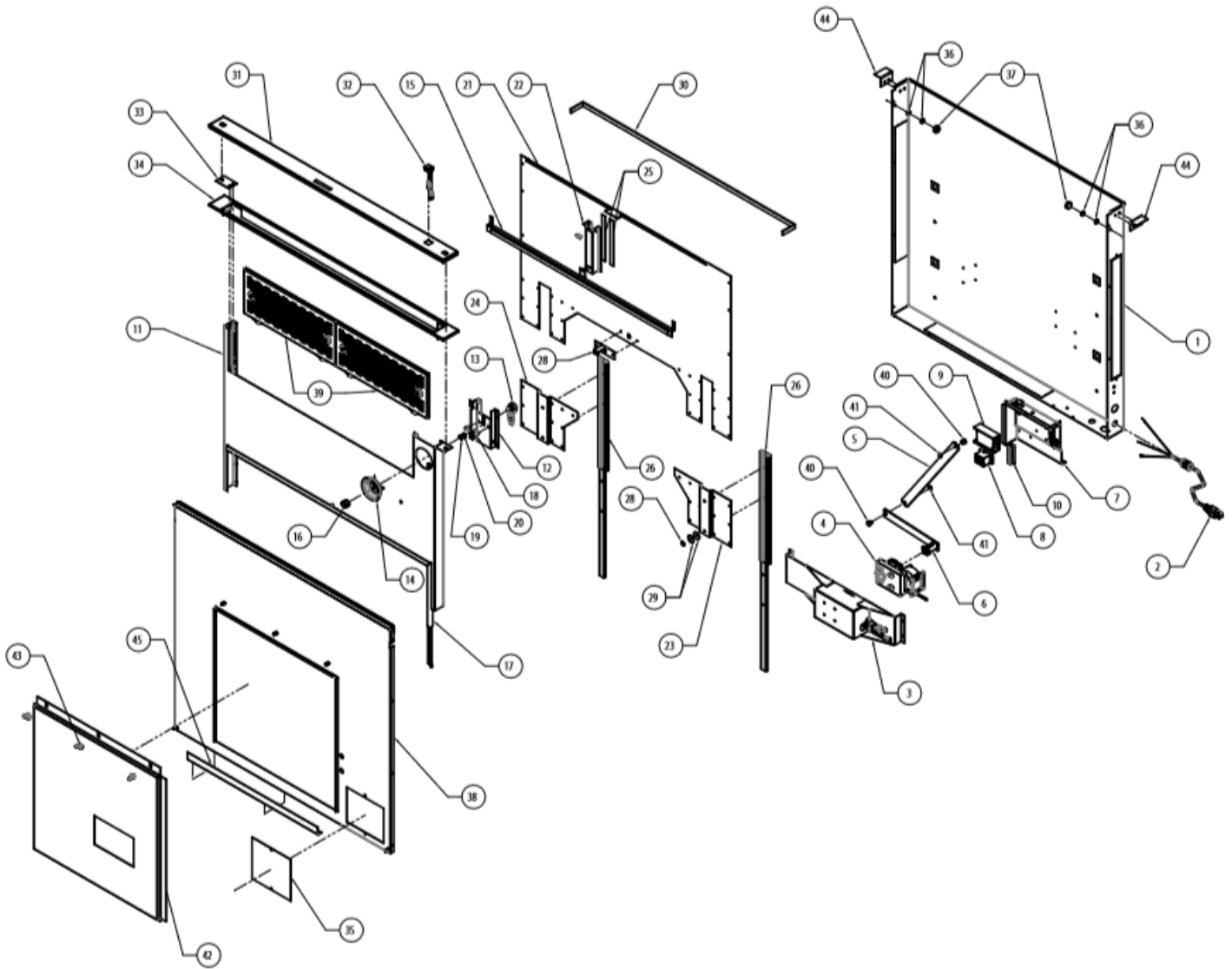
MRV30ER/B

MRV3615/B

Downdraft Vent

Assembly Drawings	
Page	Description
2	Assembly
3	Assembly Parts List

MRV30-ASSEMBLY



MRV30 - ASSEMBLY PARTS LIST

Item	Part# MRV3015/B	Part# MRV30ER/B	Part# MRV3615/B	Description	Fasteners
1	703807	703807	703831	WELDMENT, REAR, PLENUM	
2	72629	76629	72629	POWER SUPPLY CORD	
3	701403	701403	701403	WELDMENT, BOX, MTG, MOTOR	83001
4	106970	106970	106970	ASS, MOTOTR, GEARBOX	83007
5	106937	106937	106937	RAISE ARM	
6	82243	82243	82243	DRIVE ARM STUD	
7	27809	27809	27809	WELDMENT, BOX, ELECTRICAL	83001
8	108606	108606	108606	RELAY	83001
9	72183	72183	72183	AC PHASE CONTROL	83001
10	102352	102352	102352	TERMINAL BLOCK	83530, 83531
11	115146	115146	115155	SLEEVE, FRONT	83652
12	36366	36366	36366	BRACKET, POT BEZEL	83652
13	66036	66036	66036	POTENTIOMETER	
14	72525	72525	72525	BEZEL, SLIM LINE	
15	701407-01	72523-10	72523-10	MAIN HARNESS	
16	72524	72524	72524	KNOB, SLIM LINE	
17	72523-10	72523-10	72523-10	MAIN HARNESS	
18	83266	82266	83266	CLIP, TUBULAR	
19	115218	115218	115218	NUT, HEX, M7X0.72	
20	115229	115229	115229	WASHER, FLAT, 5/16	
21	105549	105549	106942	SLEEVE, REAR	
22	106969	106969	106969	SUPPORT, FILTER, CENTER	
23	105548-01	105548-01	106934-01	BRACKET, SLIDE MTG, RIGHT	
24	105548-02	105548-02	106934-02	BRACKET, SLIDE MTG, LEFT	
25	83452	83452	83452	DOUBLE SIDED TAPE	
26	106936	106936	106936	RAIL, SLIDE, 3PCS	83048
27	105235	105235	105235	BRACKET, REINFORCEMENT	
28	83008	-	83008	WASHER, #10 SAE	
29	83533	-	83533	WASHER, .88OD X .165ID	

MRV30 - ASSEMBLY PARTS LIST

Item	Part# MRV3015/B	Part# MRV30ER/B	Part# MRV3615/B	Description	Fasteners
30	62235	62235	62236	FELT WIPER 36	
31	703849B	703816B	703846B	WELDMONT, TOP CAP	83181
32	76472	76472	76472	ASSY, SWITCH HARNESS	
33	115239	115239	115239	PLATE, CONNECTOR	102373
34	703866	703834	115154	TRIM, TOP	
35	26620	26620	26620	E-BOX COVER	
36	72319	72319	72319	NYLON SPACER	
37	72653	72635	72653	NYLON ROLLERS	
38	703876-02	703876-01	703878	ASSY, PLENUM, FRONT	
39	72582	72582	72584	FILTER GRILL ASSY	
40	82243	82243	82243	STUD, DRIVE ARM	
41	83173	83173	83173	C-CLIP	
42	105883	105883	105773	PANEL, ACCESS, MOTOR	
43	83035	83035	83035	NUT, WING, #10-24	
44	115212	115212	11212	BRACKET, SUPPORT	102373
45	115228	115228	115226	BRACKET, HOLDER	83001