

The Dacor logo is rendered in a bold, italicized, sans-serif font with a metallic, 3D effect. The letters are dark with a lighter, reflective highlight on the top and left sides, giving it a sleek, modern appearance. A registered trademark symbol (®) is located at the end of the word.

dacor®

The Life of the Kitchen.®

A faded background image of a kitchen featuring a white Dacor single wall oven. The oven is the central focus, with a white bowl on the stovetop above it. To the left, there are some kitchen items like a bowl of fruit and a bottle. To the right, a dish rack is visible. The overall scene is brightly lit, creating a clean and professional atmosphere.

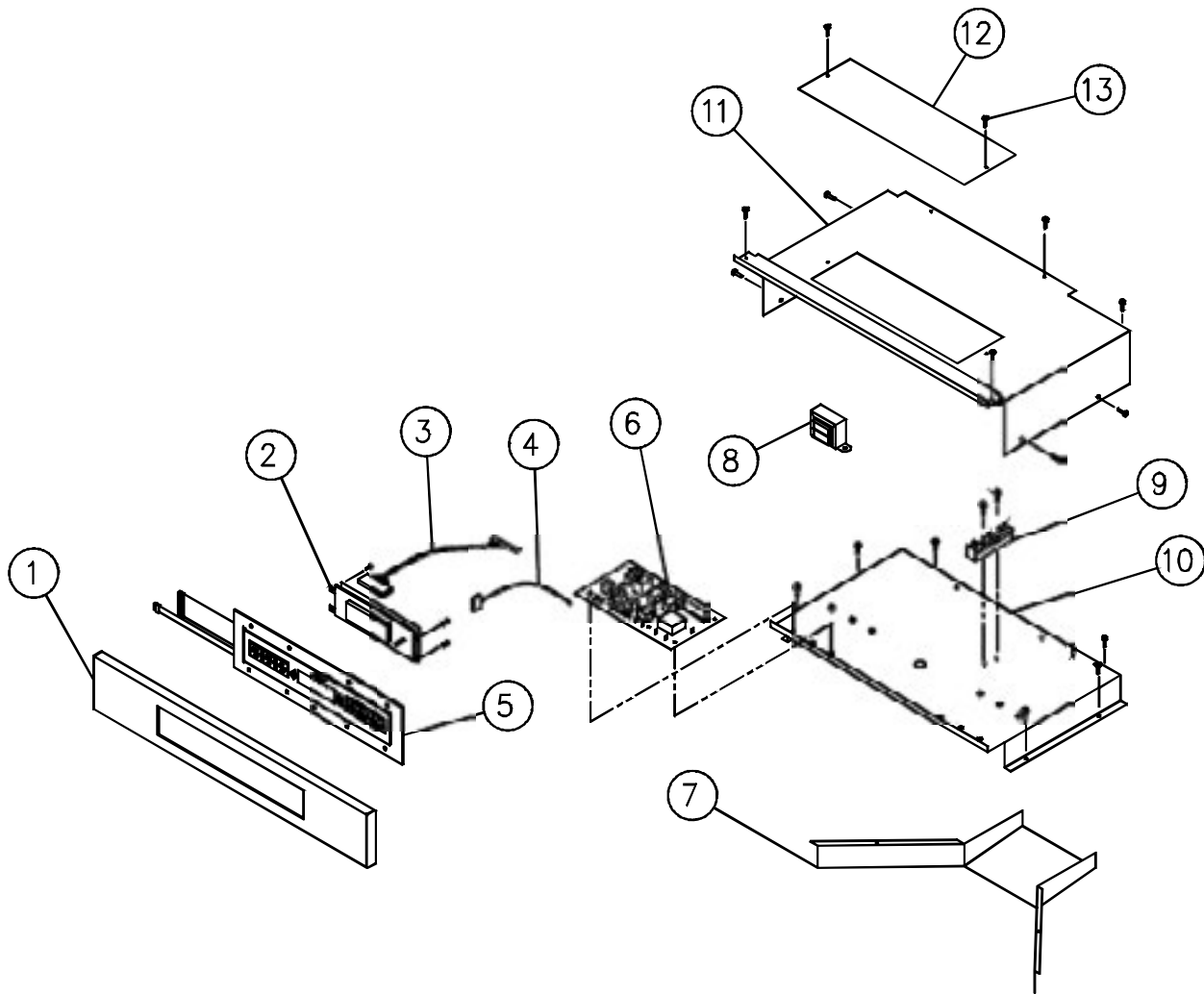
PARTS CATALOG

MCS1xx Single Wall Ovens

Page	Description
2	Bezel Assembly
3	Door Assembly
4	Case Assembly
5	Cell Assembly
6	Components

Revised 04-09-2015

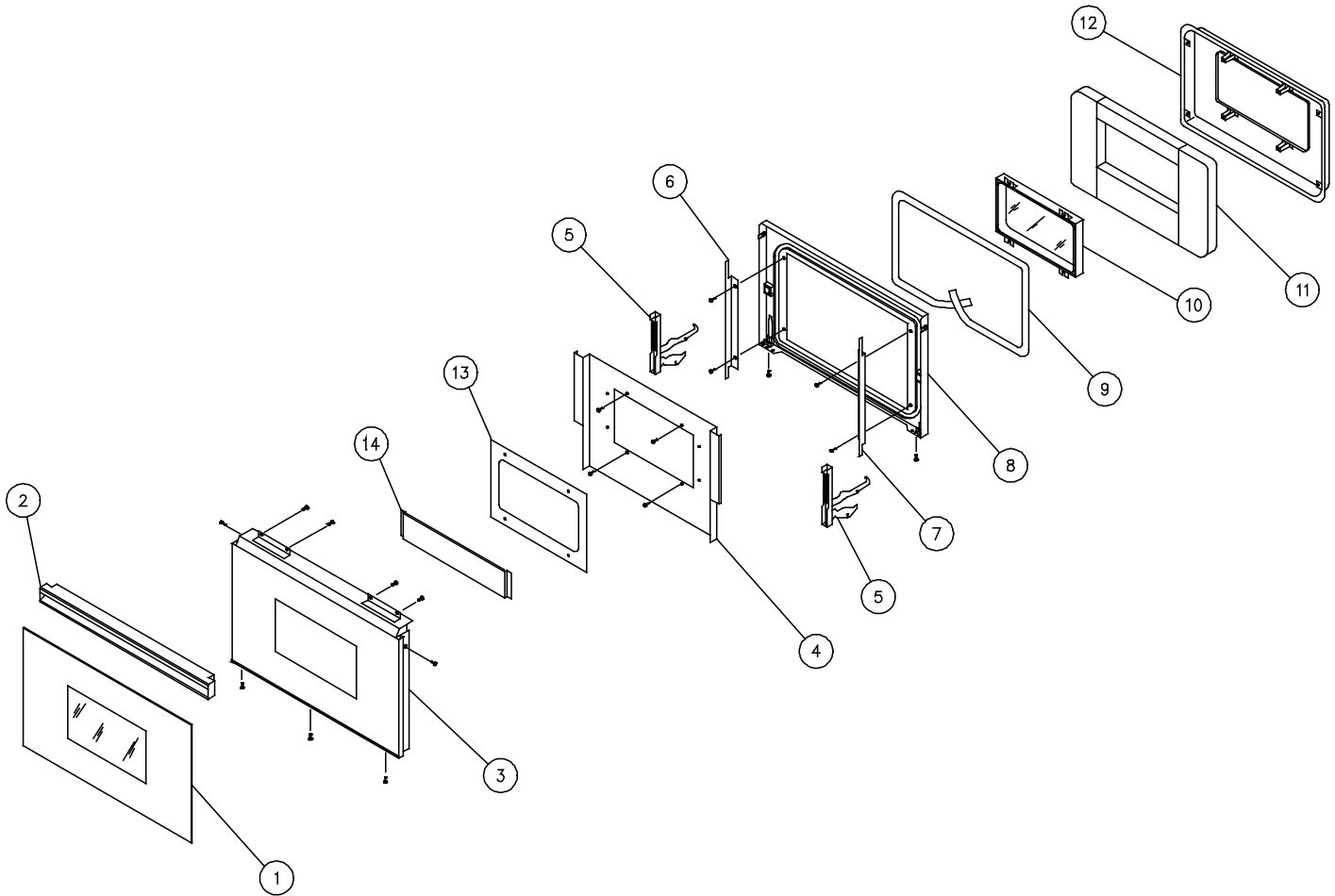
MCS1xx - Single Oven Bezel Assembly



Item	MCS127	MCS130	Description
1	13385S	13394S	Bezel, Stainless
	13385B	13394B	Bezel, Black
	13385R	13394R	Bezel, Arctic
2	62964	62964	ERC
3	82445	82445	Harness, ERC to Relay
4	82447	82447	Sensor Harness
5	62676B ¹	62676B ¹	Membrane, Black
	62676R	62676R	Membrane, Arctic
6	92028	92028	Relay Board
7	27455	27455	Transition Duct
8	62808	62808	Transformer
9	82151	82151	Terminal Block
10	27452	27463	Sub Chassis
11	36311	36312	Front, Top Cover
12	36318	36318	Service Panel
13	83023	83023	Screw
-	62721	62721	Wiring Harness with Terminal Block

¹Use part number 72457B on ovens with a revision of F or later.

MCS1xx Single Oven Door Assembly



Item	MCS127	MCS130	Description
1	66274	66275	Door Skin, Stainless
	62125B/R	62124B/R	Door Glass for Black/Arctic
2	13404S	13405S	Door Handle, Stainless
	13404B/R	13405B/R	Door Handle, Black/Arctic
3	27608	27609	Glass Mounting Frame, Stain.
	13635B/R	13638B/R	Glass Mtg. Frame, Black/Arctic
4	NA	36354 ¹	Heat Shield Door, Stainless
	NA	36622B ²	Heat Shield Door, Stainless
	26575B ¹	26574B ¹	Heat Shield Door, Black
	36619B ²	36620B ²	Heat Shield Door, Black
5	82508	82508	Door Hinge, Stainless
	82883	82883	Door Hinge, Black/Arctic
6	26577 ¹	26577 ¹	Door Side Shield Left
	36617 ²	36617 ²	Door Side Shield Left
7	26576 ¹	26576 ¹	Door Side Shield Right
	36618 ²	36618 ²	Door Side Shield Right
8	86744	86746 ¹	Door Outer Liner
	86744	27460BP ²	Door Outer Liner

Item	MCS127	MCS130	Description
9	72026 ¹	72027 ¹	Door Gasket
	72016 ²	72020 ²	Door Gasket
10	12470 ¹	12470 ¹	Window Pack
	72148 ²	72148 ²	Window Pack
11	80173 ¹	80172 ¹	Insulation
	80212 ²	80213 ²	Insulation
12	27423BP ¹	27459BP ¹	Inner Door Liner
	27727BP ²	27728BP ²	Inner Door Liner
13	36377BP	36377BP	Window Mask
14	36353	36345	Inner Heat Shield, Stainless
	36353B/R	36345B/R	Inner Heat Shield, Black/Arctic
-	83618 ²	83618 ²	Door Bumper
-	66621 ³	66623 ³	Inner Door Assy, Stainless
-	66620 ³	66622 ³	Inner Door Assy, Black/Arctic
-	66550B/R ⁴	66551B/R ⁴	Outer Frame with Glass Assembly, Black/Arctic

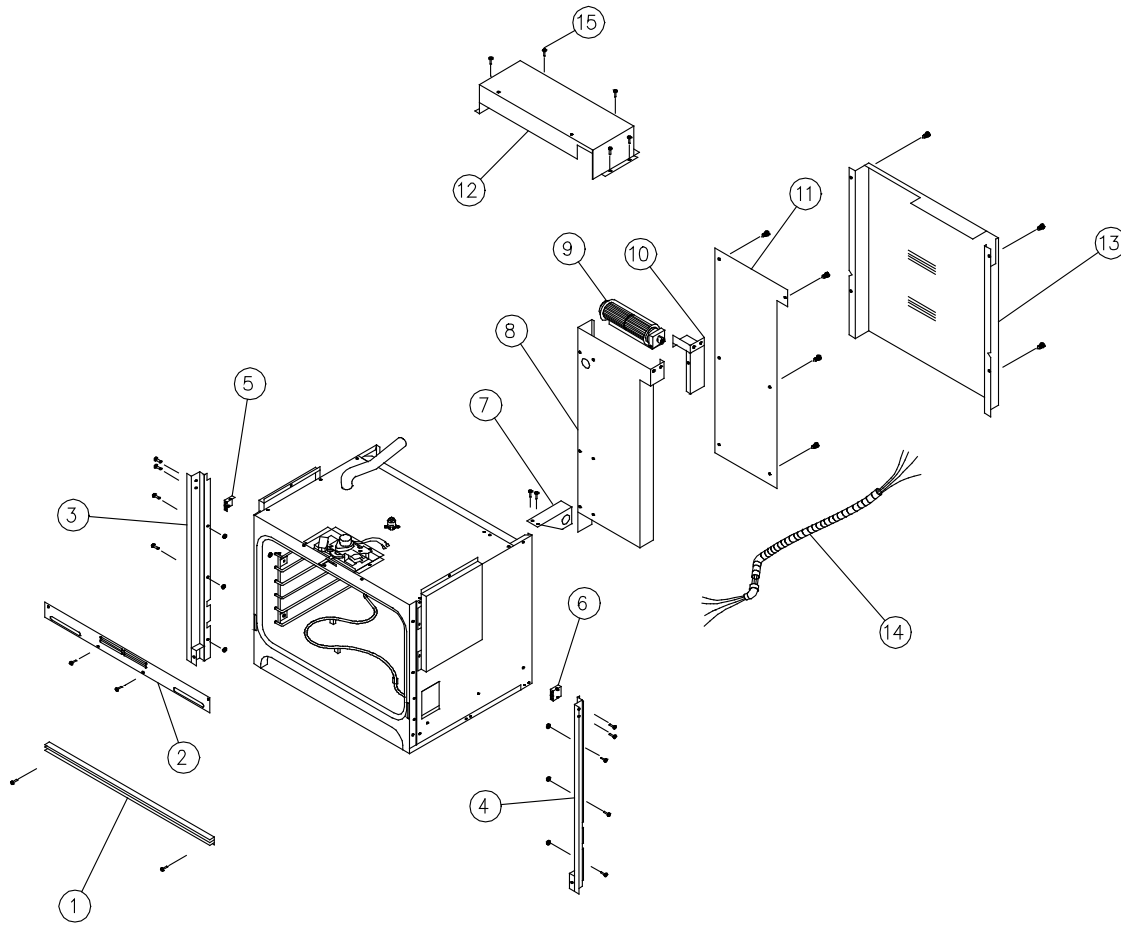
¹Single wall ovens before serial revision VC1322615.

²Single wall ovens after serial revision VC1322615.

³Includes items 4, 5, 6, 7, 8, 9, 10, 11, 12, and 13.

⁴Includes items 1, 3, door bumpers and right/left trim pieces.

MCS1xx Single Oven Case Assembly



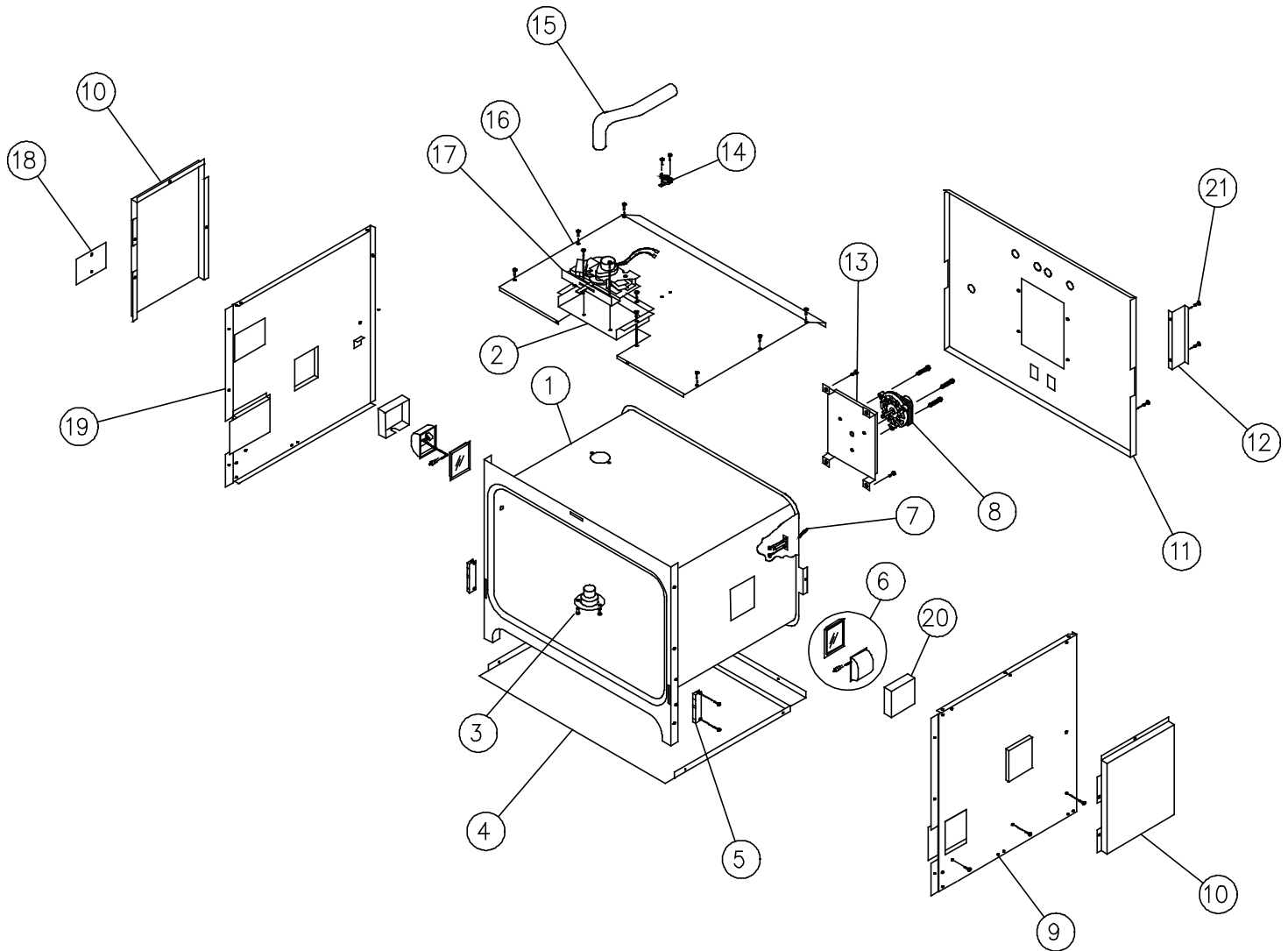
Item	MCS127	MCS130	Description
1	82990x ¹	82229x ¹	EXHAUST GRILL
2	26609B ²	26638B ²	CELL INTAKE VENT
	36830B ³	36829B ³	CELL INTAKE VENT
3	27665x ¹	27665x ¹	TRIM POST, LEFT
4	27664x ¹	27664x ¹	TRIM POST, RIGHT
5	86676	86676	BEZEL MOUNTING BRACKET, LEFT
6	86675	86675	BEZEL MOUNTING BRACKET, RIGHT
7	26584	26584	CONDUIT BRACKET
8	27427	26656	EXHAUST DUCT
9	82986	82986	COOLING FAN
10	36283	36283	EXHAUST DIVIDER
11	26580	26658	EXHAUST DUCT COVER
12	26600	26635	TOP COVER REAR
13	27471	27476	BACK COVER
14	26420	26420	CONDUIT
15	83011	83011	SCREW
-	83555	83555	WASHER, FIBER (not shown)
-	83571	83571	SCREW, EXHAUST, GRILL, SILVER (not shown)
-	83263	83263	SCREW, EXHAUST, GRILL, BLACK (not shown)

¹Specify color B = Black, R = Arctic, S = Stainless

²Single wall ovens before Rev F.

³Single wall ovens Rev F and later.

MCS1xx Single Oven Cell Assembly

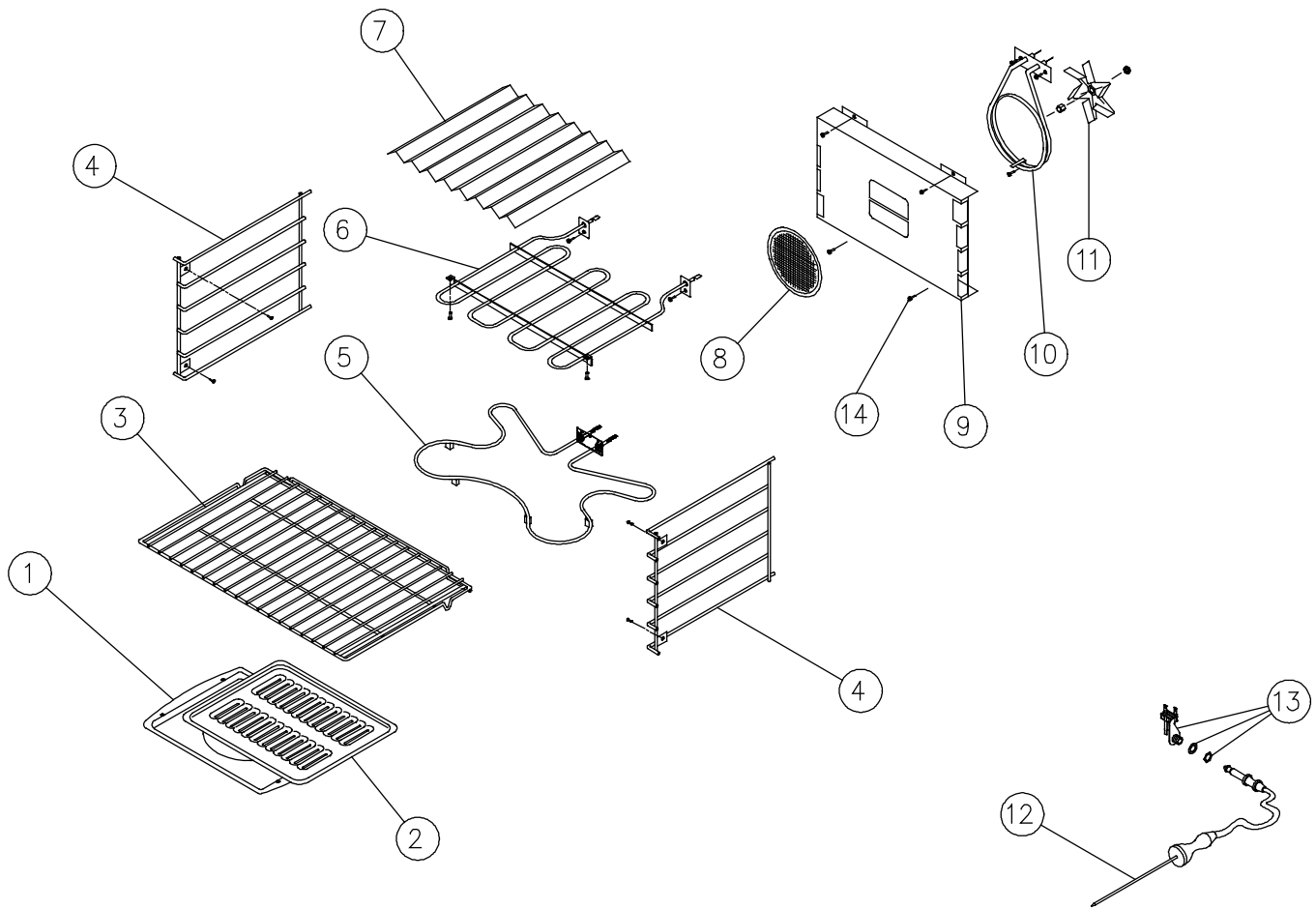


Item	MCS127	MCS130	Description
1	NA	NA	CELL (not replaceable)
2	26598	26598	LATCH PLATE
3	82826	82826	SMOKE ELIMINATOR
4	26597	26633	CASE BOTTOM
5	82851	82851	ROLLER HINGE
6	62175 ¹	62175 ¹	HALOGEN LIGHT ASSY ¹
7	62593	62593	SENSOR
8	82647	82647	CONVECTION MOTOR
9	27600	27600	CASE SIDE RIGHT
10	36309	36309	SIDE HEAT SHIELD

Item	MCS127	MCS130	Description
11	36281	36282	CASE BACK
12	26606	26606	STIFFENER BRKT
13	36280	36280	MTR MTG PLATE
14	62775	62775	THERMAL SWITCH
15	82695	82695	EXHAUST TUBE
16	26581	26581	CASE TOP
17	86166	86166	DOOR LATCH
18	36279	36279	MEAT PROBE COVER
19	27599	27599	CASE SIDE LEFT
20	36105	36105	HEAT SHIELD
21	83011	83011	SCREW

¹Order part number 86573 for light bulb alone.

MCS1xx Single Oven Components



Item	MCS127	MCS130	Description
1	82107	82107	BROIL PAN
2	82106	82106	BROIL COVER
3	62137	62139	OVEN RACK
	72767	72915	GLIDERACK OVEN RACK
4	82650	82650	SUPPORT, RACK
5	62636	62637	BAKE ELEMENT
6	62723	62723	BROIL ELEMENT
7	36509	36509	BROIL REFLECTOR

Item	MCS127	MCS130	Description
8	82891	82891	FILTER CONVECTION
9	36595BP	36555BP	CONVECTION BAFFLE
10	82377	82377	CONVECTION ELEMENT
11	82651	82651	CONV FAN BLADE
12	62713	62713	MEAT PROBE
13	62714	62714	PROBE SOCKET
14	83534	83534	CELL SCREW