

The Dacor logo is rendered in a bold, italicized, sans-serif font with a metallic, 3D effect. The letters are dark with a lighter, reflective highlight on the top and left sides, giving it a sleek, modern appearance. A registered trademark symbol (®) is located at the end of the word.

dacor®

The Life of the Kitchen.®

A faded background image of a kitchen featuring a white Dacor gas range with a stainless steel cooktop. The cooktop has four burners and a central griddle. A white bowl sits on the griddle. To the left, there are various kitchen items like a bowl of fruit and a bottle of oil. To the right, a white dishwasher is visible under the counter.

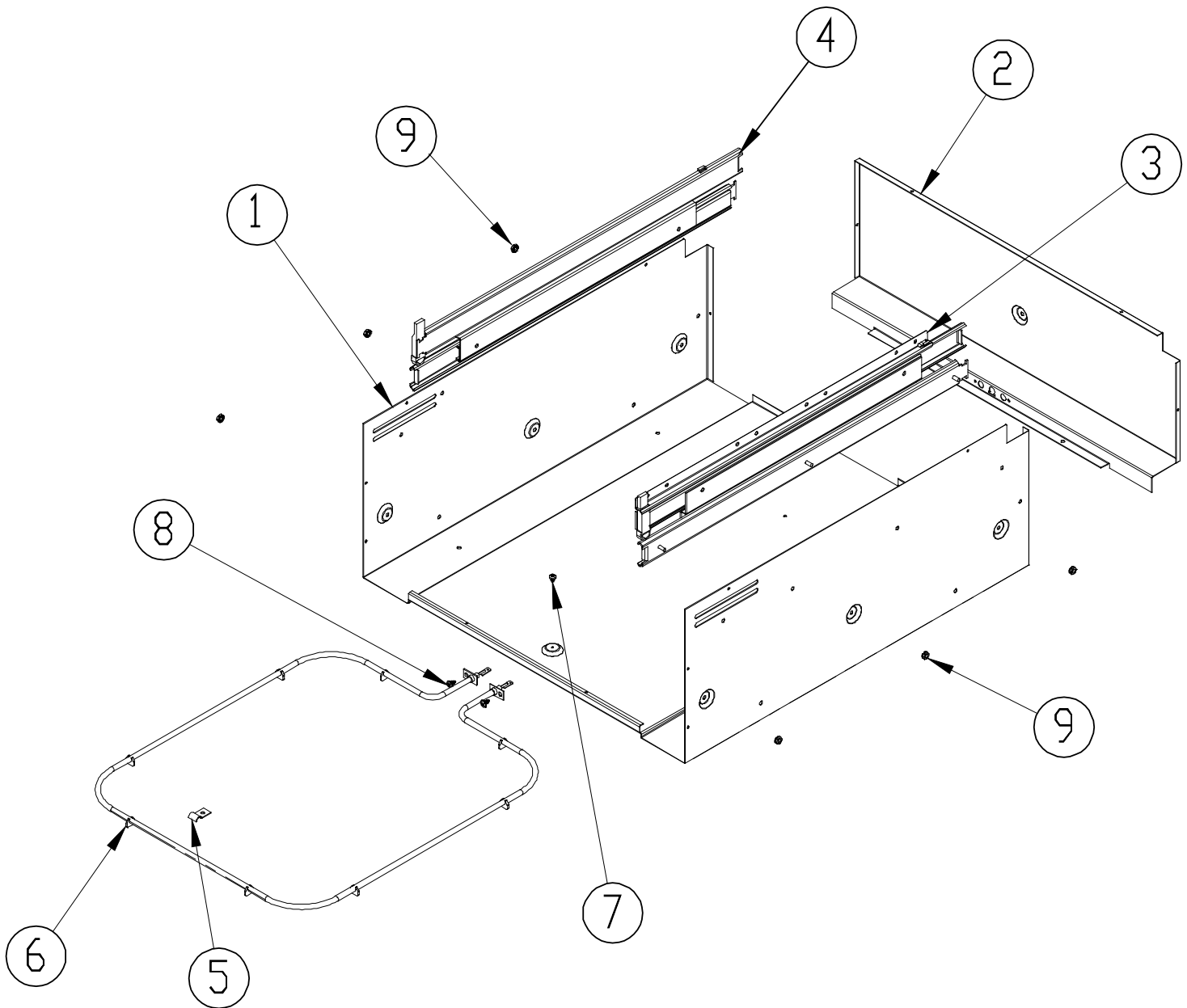
PARTS CATALOG

EWD24/27/30/36

Page #	Description
2	Chassis Wrap Assembly
3	Chassis Assembly
4	Chassis Parts
5	Drawer Assembly

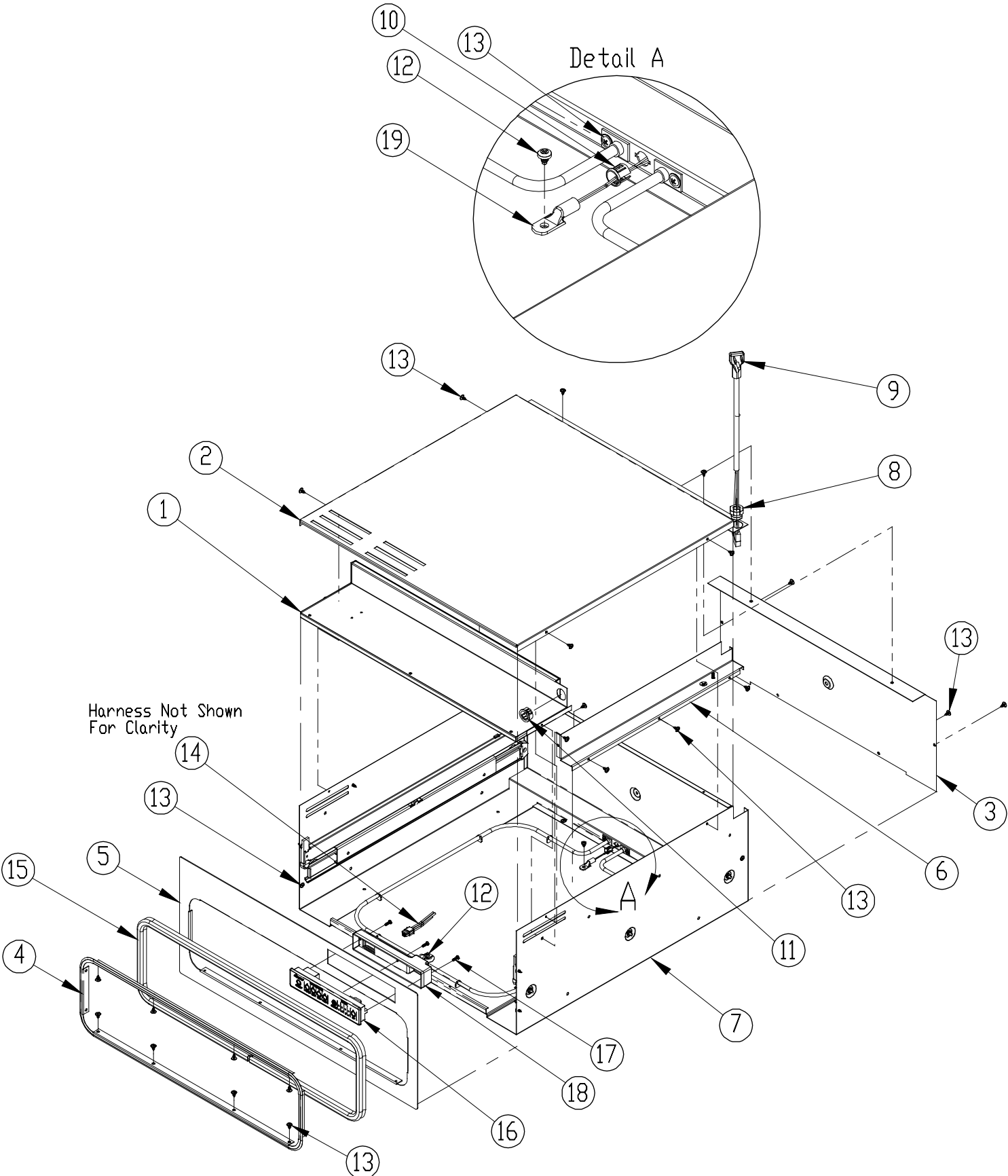
Revised 06-25-2013

EWD Series Warming Drawer Chassis Wrap Assembly



Item	Description	EWD24	EWD27	EWD30/B	EWD36
1	Wrap, Chassis	101883-01	101883-02	101883-03	101883-04
2	Rear Partition	101881-01	101881-02	101881-03	101881-04
3	Slide Rail Set, Right	72737 (sold as a set)			
4	Slide Rail Set, Left				
5	Element Hold Down Clip	102321	102321	102321	102321
6	Heating Element	101651	101651	101651	101651
7	Screw, Phil HD, #8 x 1/4"	83001	83001	83001	83001
8	Screw, Phil HD, #8 x 3/8"	83263	83263	83263	83263
9	Nut, Hex Keps #8-32	83048	83048	83048	83048

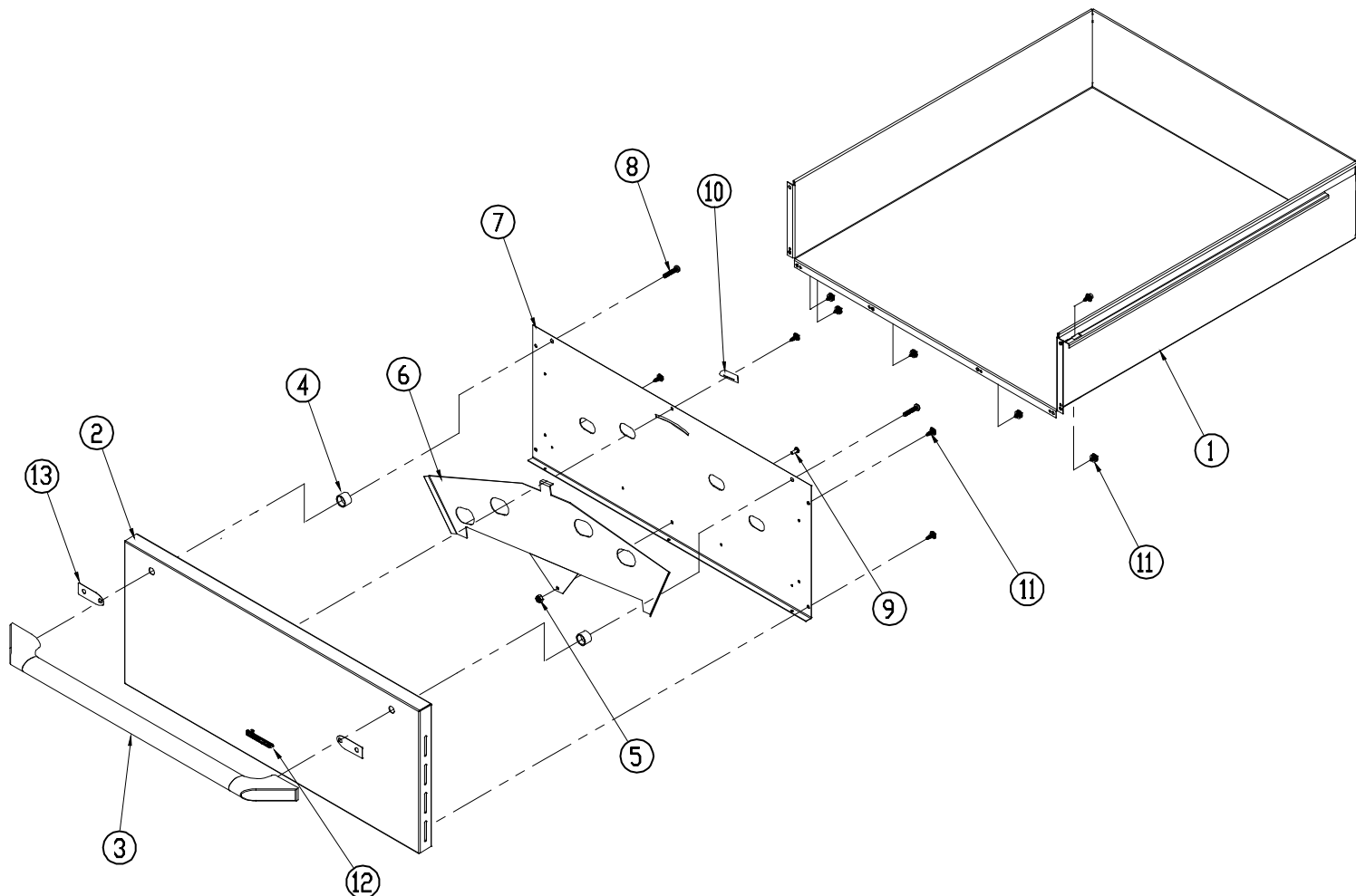
EWD Series Warming Drawer Chassis Assembly



EWD Series Warming Drawer Chassis Parts

Item	Description	EWD24	EWD27	EWD30/B	EWD36
1	Assy, Channel Control	700738-01	700738-02	700738-03	700738-04
2	Top Cover	101882-01	101882-02	101882-03	101882-04
3	Cover, Rear	101657-01	101657-02	101657-03	101657-04
4	Frame Gasket *	102443	102442	102445	102444
5	Control Panel *	101879-01	101879-02B	101879-03B	101879-04
6	Electric Chase Weld	700877	700877	700877	700877
7	Asy, Chassis Wrap	700591-01	700591-02	700591-03	700591-04
8	Strain Relief Bushing	83141	83141	83141	83141
9	Power Supply Cord	72765	72765	72765	72765
10	3/8" Bushing Hole	83523	83523	83523	83523
11	Bushing, Heyco	83056	83056	83056	83056
12	Screw, Phil HD, #8 x 1/4"	83001	83001	83001	83001
13	Screw, Phil HD, #8 x 3/8" *	83263	83263	83263	83263
14	Wire Harness (Not Shown)	102347	102347	102347	102347
-	Hi-Limit Thermostat (Not Shown)	106613	106613	106613	106613
15	Gasket *	101647	101648	101649	101650
16	Control W/ Overlay **	101645	101645	101645	101645
17	Screw, 6-19 x 1/2" Plastite **	102499	102499	102499	102499
18	Cover, Control Board **	101610	101610	101610	101610
19	Thermistor	102472	102472	102472	102472
* Must be ordered as kit according to part numbers at right. Includes items 4, 5, 15 and 8 screws (item 13).		701119-01	701119-02	701119-03	701119-04
** Must be ordered as kit number 701120. Includes items 16, 18, and 3 screws (item 17).					

EWD Series Warming Drawer Drawer Assembly



Item	Description	EWD24	EWD27	EWD30	EWD30B	EWD36
1	Asy, Drawer Wrap, Service	701121-01	701121-02	701121-03	701121-03	701121-04
2	Asy, Door Skin w/ Logo	701122-01	701122-02	701122-03	701122-05	701122-04
3	Asy, Door Handle	13659-011	13659-002	13659-001	13659-019	13659-015
4	Door Spacer	92126	92126	92126	92126	92126
5	Nut, Nylon, #10-24	106078	106078	106078	106078	106078
6	Moist/Crisp Slide	36454	36454	36454	36454	36454
7	Door Backing Panel	102198-01E	102198-02E	102198-03E	102198-03E	102198-04E
8	Screw, #10-32 x 1"	83692	83692	83692	83692	83692
9	Screw, #8-32 x .375"	83358	83358	83358	83358	83358
10	Knob, Damper Black	82415B	82415B	82415B	82415B	82415B
11	Screw, #8 x .500"	83534	83534	83534	83534	83534
12	Dacor Logo	72510CH	72510CH	72510CH	72510CH	72510CH
13	Door Handle Spacer	N/A	N/A	N/A	92008	N/A