

The Dacor logo is rendered in a bold, italicized, sans-serif font with a metallic, 3D effect. The letters are dark with a lighter, reflective highlight on the top and left sides, giving it a sleek, modern appearance. A registered trademark symbol (®) is located at the end of the word.

dacor

The Life of the Kitchen.®

A photograph of a stainless steel Dacor cooktop with a white ceramic bowl on the burner. The cooktop is set in a kitchen environment with various items on the counter, including a bottle of oil and a basket of bread. The image is slightly faded to allow the text to be prominent.

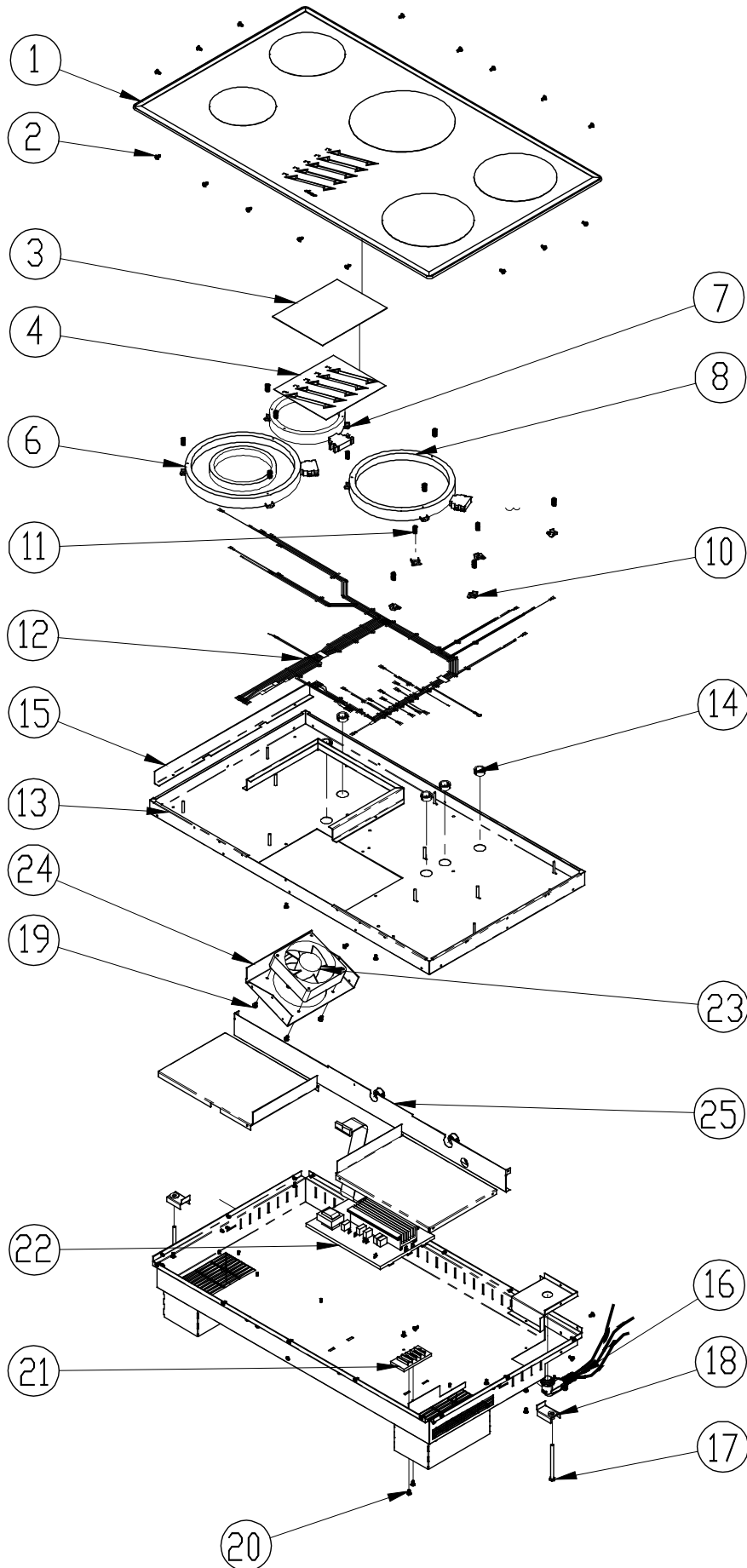
PARTS CATALOG

ETT365-2 Cooktop

Page #	Sheet Title
2	ETT365-2 Assembly
3	ETT365-2 Parts

Revised 10-17-2011

ETT365-2 Cooktop Assembly



ETT365-2 Cooktop Parts

Ref #	Description	Part #
1	Cooktop Top Glass Panel, Model ETT365-2B	12626B
	Cooktop Top Glass Panel, Models ETT365-2BG	12635BG
	Cooktop Top Glass Panel, Models ETT365-2RF	12635RF
	Cooktop Top Glass Panel, Model ETT365-2S	12636S
2	Screw, Phil TRS, #8 X 3/8"	83306
3	Touchpad Adhesive	83372
4	Touch Board, Lower	72513
5	ETT Ribbon Cable	62063
6	Element, Dual	700411-03*
7	Heater, Series 8, 1200 W	66128*
8	Heater, Series 8, 2100 W	66132*
9	Heater, Series 8, 1500 W	66129*
10	Heater, Series 8, 1800 W	66130*
11	Spring, Heater	100644
12	Wiring Harness	72631
13	Chassis Weldment	100891
14	Heyco Bushing SB-875-11	83056
15	Heat Shield Bracket	100775
16	Conduit Service Kit**	66798**
17	1/4-20 x 3.50 Hex Head Bolt	83065
18	Hold Down Bracket	27251
19	Screw, Phil Trs Hd, #10 X 1/2"	83022
20	Terminal Block Screws	83326
21	Terminal Block	62052
22	Power Board	72512
23	Cooling Fan	62077
24	Fan Mounting Plate	100741
25	Air Divider	100674
* For complete element kit, order PN 62793		
** Includes conduit, elbow, wires and terminals		