

The Dacor logo is rendered in a bold, italicized, sans-serif font with a metallic, 3D effect. The letters are dark with a lighter, reflective highlight on the top and left sides, giving it a sleek, modern appearance. A registered trademark symbol (®) is located at the end of the word.

# **dacor**®

The Life of the Kitchen.®

A photograph of a stainless steel Dacor cooktop with four burners and a control panel. The cooktop is set on a wooden countertop. In the background, there are various kitchen items like a bowl, a bottle, and a basket. The text 'PARTS CATALOG' is overlaid on the image in a large, bold, sans-serif font with a slight shadow effect.

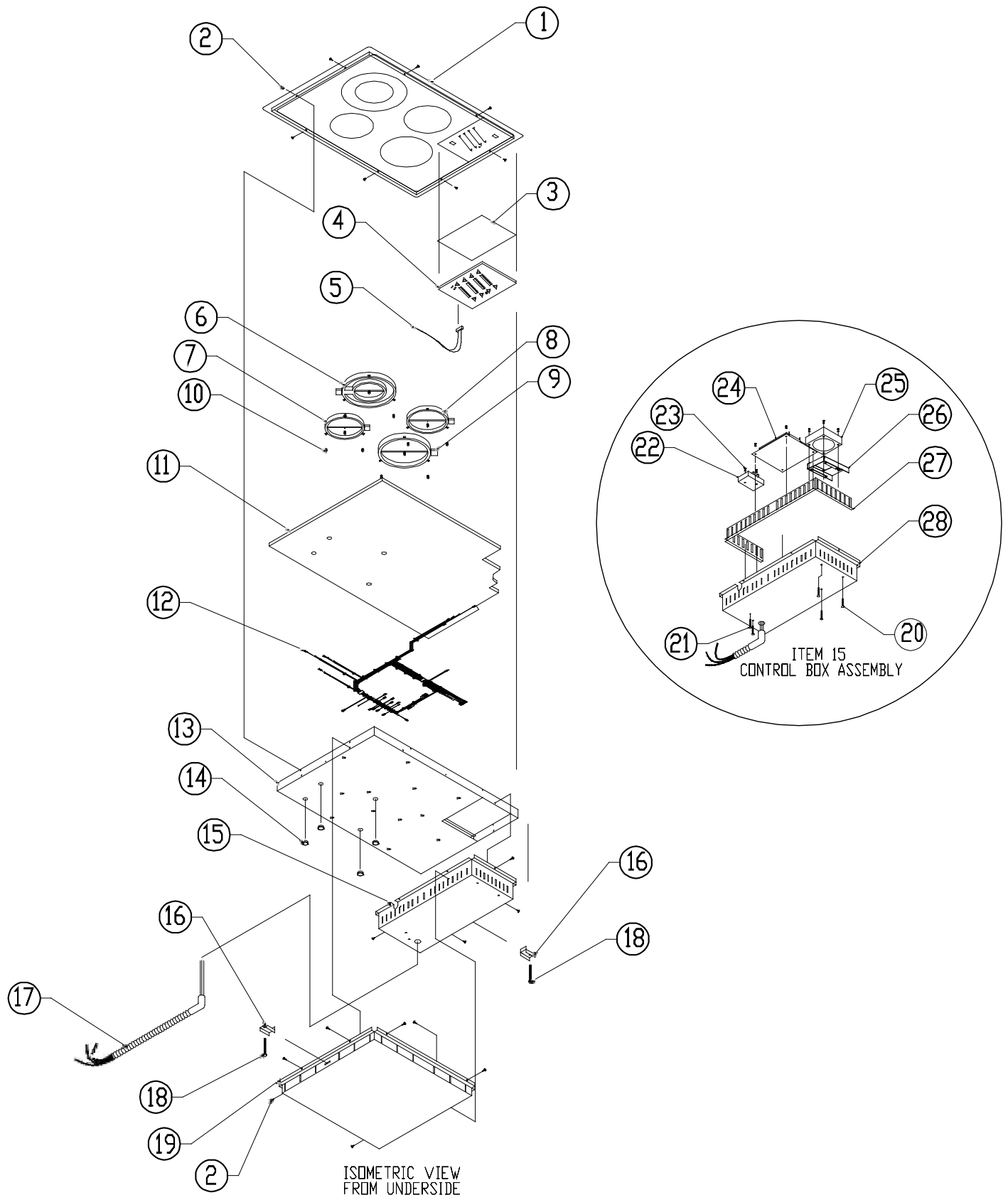
## **PARTS CATALOG**

### **ETT304-1 Cooktop**

<b>Page #</b>	<b>Description</b>
<b>2</b>	<b>ETT304-1 Assembly</b>
<b>3</b>	<b>ETT304-1 Parts</b>

Revised 10-18-2011

# ETT304-1 Cooktop Assembly



# ETT304-1 Cooktop Parts

Ref #	Description	Part #
1	Cooktop Top Glass Panel, Model ETT304-1B	66948B
	Cooktop Top Glass Panel, Models ETT304-1BG	66946BG
	Cooktop Top Glass Panel, Models ETT304-1RF	66946RF
	Cooktop Top Glass Panel, Model ETT304-1S	66951S
2	Screw, Phil TRS, #8 X 3/8"	83024
3	Touchpad Adhesive	83372
4	Touch Board, Lower	72516
5	ETT Ribbon Cable	62063
6	Element, Dual*	700411-04*
7	Heater, Series 8, 1200w*	66128*
8	Heater, Series 8, 1500w*	66129*
9	Heater, Series 8, 1800w*	66130*
10	Spring, Heater	100644
11	Insulation Blanket	26800
12	Wiring Harness	72630
13	Chassis Weldment	27481
14	Heyco Bushing SB-875-11	83056
15	Control Box Assembly	13692
16	Hold Down Bracket	27251
17	Conduit Service Kit**	66798**
18	1/4-20 x 3.50 Hex Head Bolt	83065
19	Heat Shield Weldment	26646
20	Screw, Phil Trs Hd, #10 X 1/2"	83022
21	Terminal Block Screws	83326
22	Terminal Block	62052
23	Nut, Keps, #10-24	83009
24	Power Board	72517
25	Cooling Fan	62053
26	Fan Mounting Bracket	36490
27	Control Box Air Baffle	36440
28	Weldment, Control Box	27670
-	Accy, Cleaner, Ceran (Not Shown)	A300
-	Scraper, Ceran (Not Shown)	82499
-	Counter Gasket (Not Shown)	13208
<b>* For complete element kit, order PN 62792</b>		
<b>** Includes conduit, elbow, wires and terminals</b>		