



The Life of the Kitchen.®

PARTS CATALOG

ESG486 Cooktop

IMPORTANT: Some versions of this product may have some parts that are **No Longer Available (NLA)**. If the part you need is no longer available, please contact Dacor for a possible solution:

DACOR CARES PROGRAM NLA Part Locator Service

Customer Contact Number:

(800) 793-0093 ex. 2813
Hours: 6:00 AM - 5:00 PM Pacific Time

Service Agent/Technician Contact Number:

(800) 793-0093 ex. 3814
Hours: 7:00 AM - 4:00 PM Pacific Time

Web Inquiries: www.dacor.com/dacorcares **Email Inquiries:** dacorcares@dacor.com

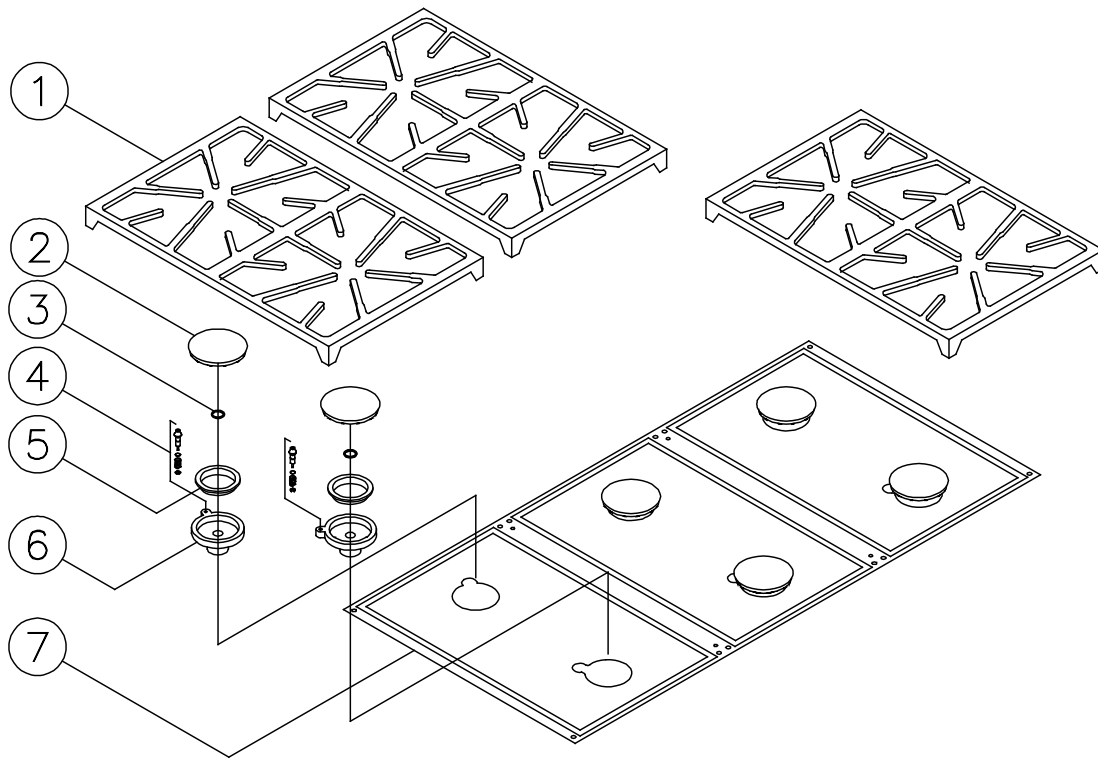
Please provide the following information:

- Your name and phone number
- Product serial number
- Product model number
- The part number(s) you need

Page	Description
2	Top Frame Assembly
3	Manifold Assembly - Level A
4	Manifold Assembly - Level B
5	Chassis Assembly - Revision A
6	Chassis Assembly - Revision B
7	Fan Assembly - Old Style
8	Control Panel Assembly - New Style

Revised 02-03-2015

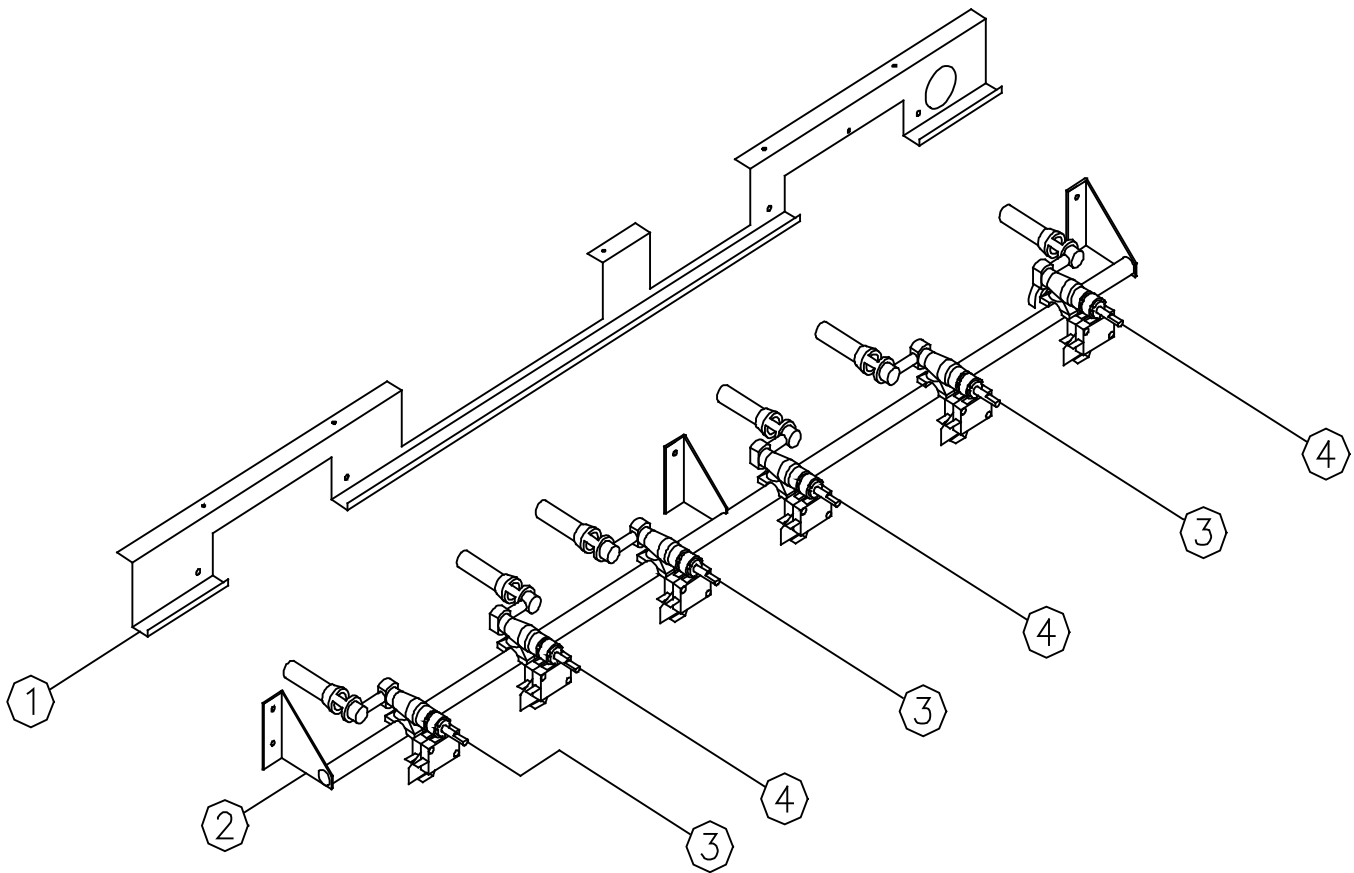
ESG486 Cooktop Top Frame Assembly



Item	Part #	Description
1	72434SB ¹	Grate Pack, 14"
2	62022BM	D-Burner Cap
3	86405	Brass Nut
4	76482-001	Igniter Assembly
5	82564	D-Burner Ring
6	62954	D-Burner Head
7	26746BP	Spill Tray

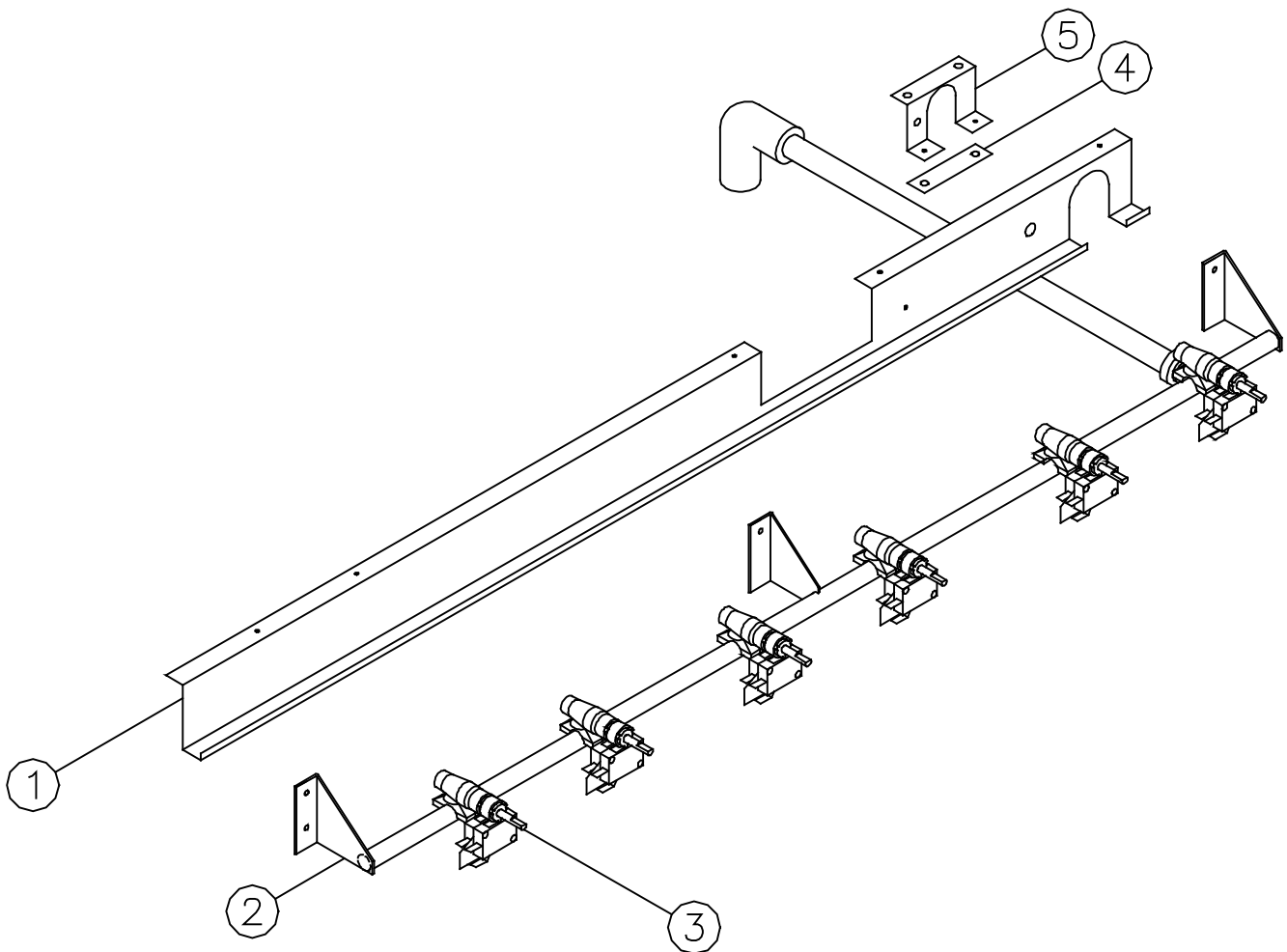
¹Part number shown is for later version of the grate that has a smooth porcelain finish. The earlier versions of the grate with a black matte finish are no longer available. When replacing the grates, all three may need to be replaced so that they match.

ESG486 Cooktop Manifold Assembly - Level A



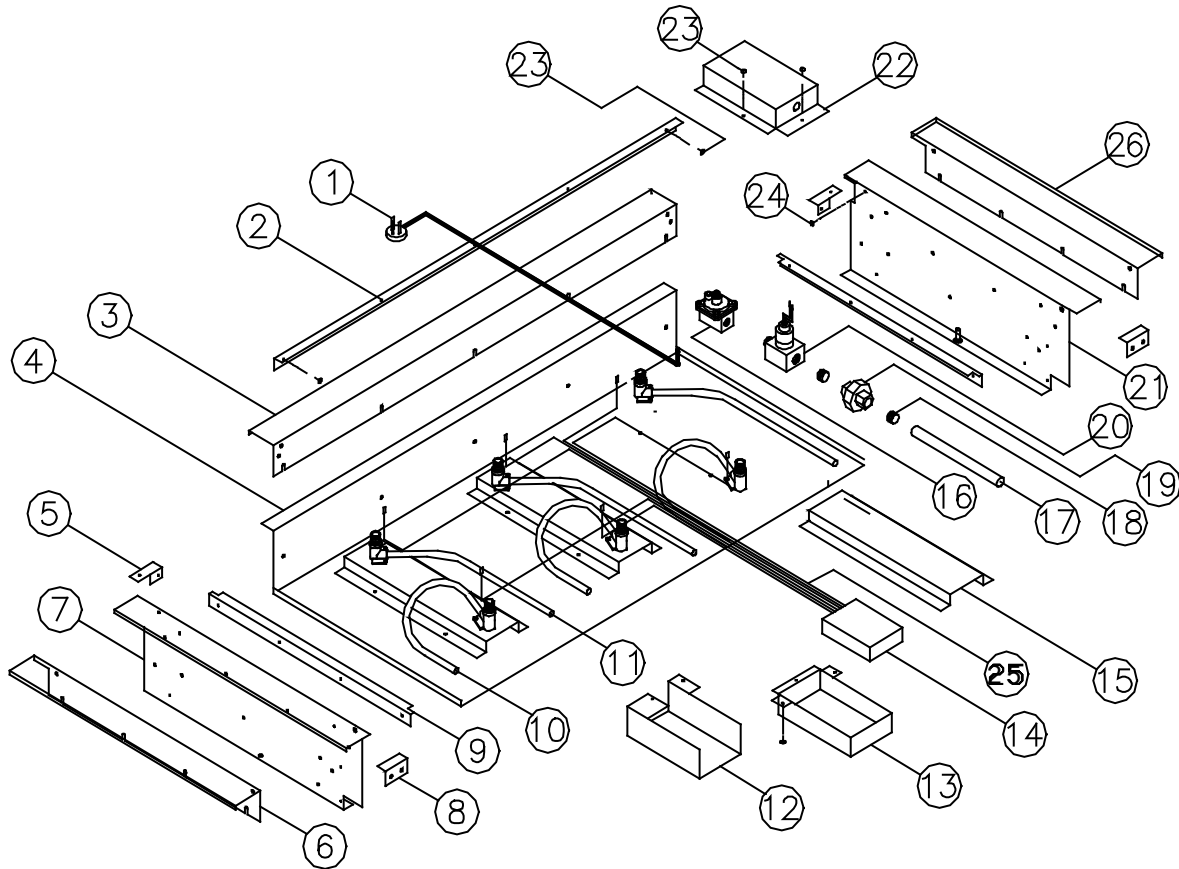
Item	Part #	Description
1	26843	BOTTOM REAR CONTROL PANEL
2	62031	GAS MANIFOLD - NG
	62032	GAS MANIFOLD - LP
3	86309	GAS VALVE - NG
	86310	GAS VALVE - NG HIGH ALTITUDE
	86312	GAS VALVE - LP
	86315	GAS VALVE - LP HIGH ALTITUDE
4	86316	GAS VALVE - NG
	86317	GAS VALVE - NG HIGH ALTITUDE
	86318	GAS VALVE - LP
	86319	GAS VALVE - LP HIGH ALTITUDE
-	36111	MANIFOLD BRACKET COVER (not shown)
-	36110	MANIFOLD GAS PIPE BRACKET
-	103789	SWITCH

ESG486 Cooktop Manifold Assembly - Level B



Item	Part #	Description
1	26843	BOTTOM REAR CONTROL PANEL
2	62397	GAS MANIFOLD - NG
	62032	GAS MANIFOLD - LP
3	86554	GAS VALVE - NG
	86551	GAS VALVE - NG HIGH ALTITUDE
	86553	GAS VALVE - LP
	86552	GAS VALVE - LP HIGH ALTITUDE
4	103789	SWITCH
5	36111	MANIFOLD BRACKET COVER
6	36110	MANIFOLD GAS PIPE BRACKET

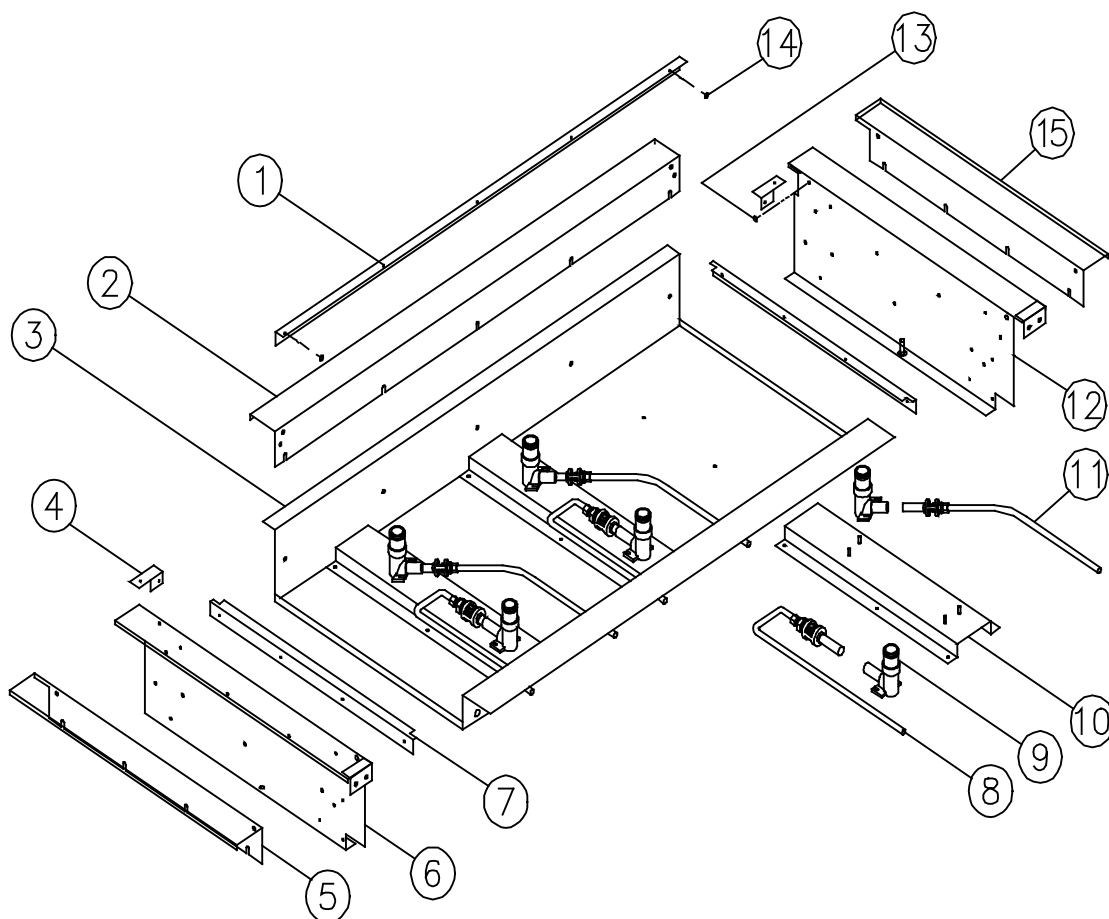
ESG486 Cooktop Chassis Assembly - Rev A



Item	Part #	Description
1	82562	Power Supply Cord
2	36544BP	RF Spill Tray Support
3	27705	Rear Trim
4	26782	Chassis Wrap
5	27178	Right Rear Bracket
6	26779	Left Trim
7	78260	Left Side Support
8	78444	End Cap Bracket
9	36541BP	Side Spill Tray Support
10	62024	Front Burner Tube
11	62025	Rear Burner Tube
12	26787	Regulator Mounting Bracket
13	27551	Spark Box Mounting Bracket
14	82318	Spark Module/Igniter Harness

Item	Part #	Description
15	27071	Burner Mounting Channel Assy
16	62320	Gas Regulator NG
	62434	Gas Regulator LP
17	62227	1/2 X 10" Pipe Nipple
18	83371	1/2 X 1 1/2" Pipe Nipple
19	62225	1/2 X 2" Pipe Union
20	62226	Solenoid Gas Valve
21	78261	Right Side Support
22	26892	Regulator Cover
23	83024	Screw #8 X 3/8"
24	83534	Screw, Wager HD, #8 X 3/8"
25	62807	Spark Wire Harness
26	36545	Right Trim

ESG486 Cooktop Chassis Assembly - Rev B

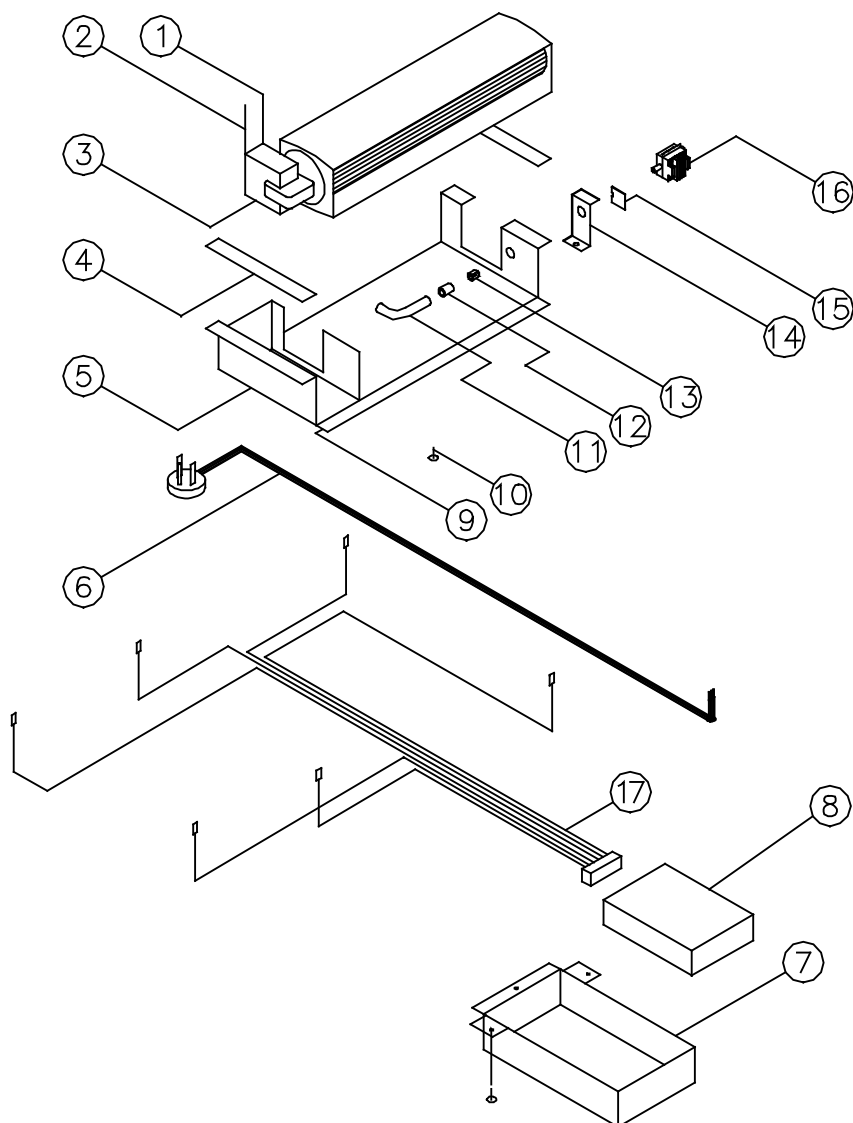


Item	Part #	Description
1	36544BP	F/R SPILL TRAY SUPPORT
2	27705	REAR TRIM
3	26782	CHASSIS WRAP
4	78271	REAR BRACKET, RIGHT
5	36547 ¹	LEFT TRIM
6	27178	LEFT SIDE SUPPORT
7	36541BP	SIDE SPILL TRAY SUPPORT
8	62385	FRONT BURNER TUBE (3) NG
	62381	FRONT BURNER TUBE (3) LP
	62383	FRONT BURNER TUBE (3) NG/H
	62386	FRONT BURNER TUBE (3) LP/H

Item	Part #	Description
9	62144	BURNER BASE (6)
10	27396	BURNER MOUNTING CHANNEL ASSY
11	62384	REAR BURNER TUBE (3) NG
	62380	REAR BURNER TUBE (3) LP
	62382	REAR BURNER TUBE (3) NG/H
	62387	REAR BURNER TUBE (3) LP/H
12	27184	RIGHT SIDE SUPPORT
13	83024	SCREW, #8 X 3/8"
14	83534	SCREW, WAFER HD, #8 X 3/8"
15	36545	RIGHT TRIM
-	83423	TERMINAL BLOCK (not shown)

¹Part number shown is for units with serial number SC1130144 and later. Earlier units use part number 26779.

ESG486 Cooktop Fan Assembly - Old Style



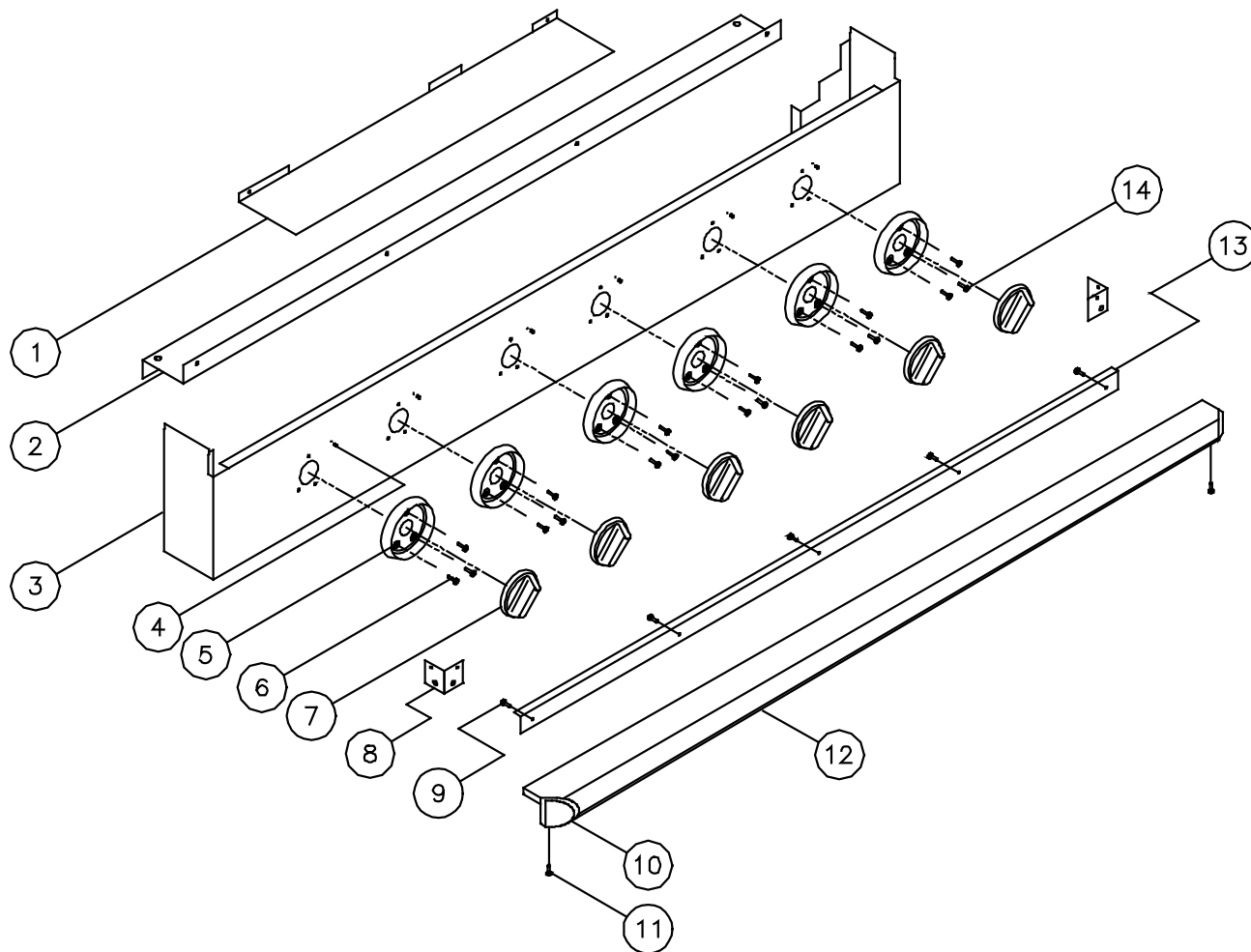
Item	Part #	Description
1	14635	WHITE FAN WIRE
2	14632	BLACK FAN WIRE
3	62223	FAN
4	82440	FELT DAMPENER
5	27073	FAN ENCLOSURE ASSEMBLY
6	82562	POWER SUPPLY CORD
7	27551	SPARK BOX MOUNTING BRKT
8	82318	SPARK MODULE WITH VELCRO
9	62254	AIR SEAL/SPILL TRAY

Item	Part #	Description
10	62230	AIR SWITCH PIPE
11	83570	TRUSS SCREW, #6
12	62231	TUBING, 3/16"
13	62220	STUD RECEIVER
14	26889	AIR SWITCH BRACKET
15	83239	DOUBLE SIDED TAPE
16	62146 ¹	AIR SWITCH KIT
17	62807	SPARK WIRING HARNESS

¹Part number shown is for units with revision level B and later.

Rev. A units part number 86365.

ESG486 Control Panel Assembly - New



Item	Part #	Description
1	26886	BOTTOM MIDDLE CONTROL PANEL
2	26774	CHASSIS TOP
3	13729S[BR/CH/CP] ¹	FRONT CONTROL PANEL
4	62036	INDICATOR LIGHT
5	100122[CH/CP] ¹	CHROME TRIM RING
6	83336	SCREW, PHIL PAN, #8 X 32 X 1/2
7	62021B	KNOB
8	26834	BRACKET, CORNER
9	83024	SCREW, PHIL TRS, #8-32 x 3/8"
10	-	END CAP (part of item 12)
11	-	SCREW, #8-32 X 1/4 (part of item 12)
12	66834S[BK/BR/CH/CP] ^{1,2}	BULLNOSE
13	26783	SUPPORT, F/R, SPILL TRAY
14	83534	SCREW, WAFER HD, #8 X 3/8

¹Last 2 characters in part number indicate trim color.

²Part number shown is for units with serial number SC1130144 and later (units without grate supports). Earlier units use part numbers 86590xx.



Part no longer available? Contact Dacor: (800) 793-0093 ex. 3814