



The Life of the Kitchen.®

# PARTS CATALOG

## ERSD30 Range

**IMPORTANT:** This product may have some parts that are **No Longer Available (NLA)**. If the part you need is no longer available, please contact Dacor for a possible solution:

### DACOR CARES PROGRAM NLA Part Locator Service

**Customer Contact Number:**

(800) 793-0093 ex. 2813  
Hours: 6:00 am - 5:00 pm Pacific Time

**Service Agent/Technician Contact Number:**

(800) 793-0093 ex. 3814  
Hours: 7:00 am - 4:00 pm Pacific Time

**Web Inquiries:** [www.dacor.com/dacorcares](http://www.dacor.com/dacorcares) **Email Inquiries:** [dacorcares@dacor.com](mailto:dacorcares@dacor.com)

Please provide the following information:

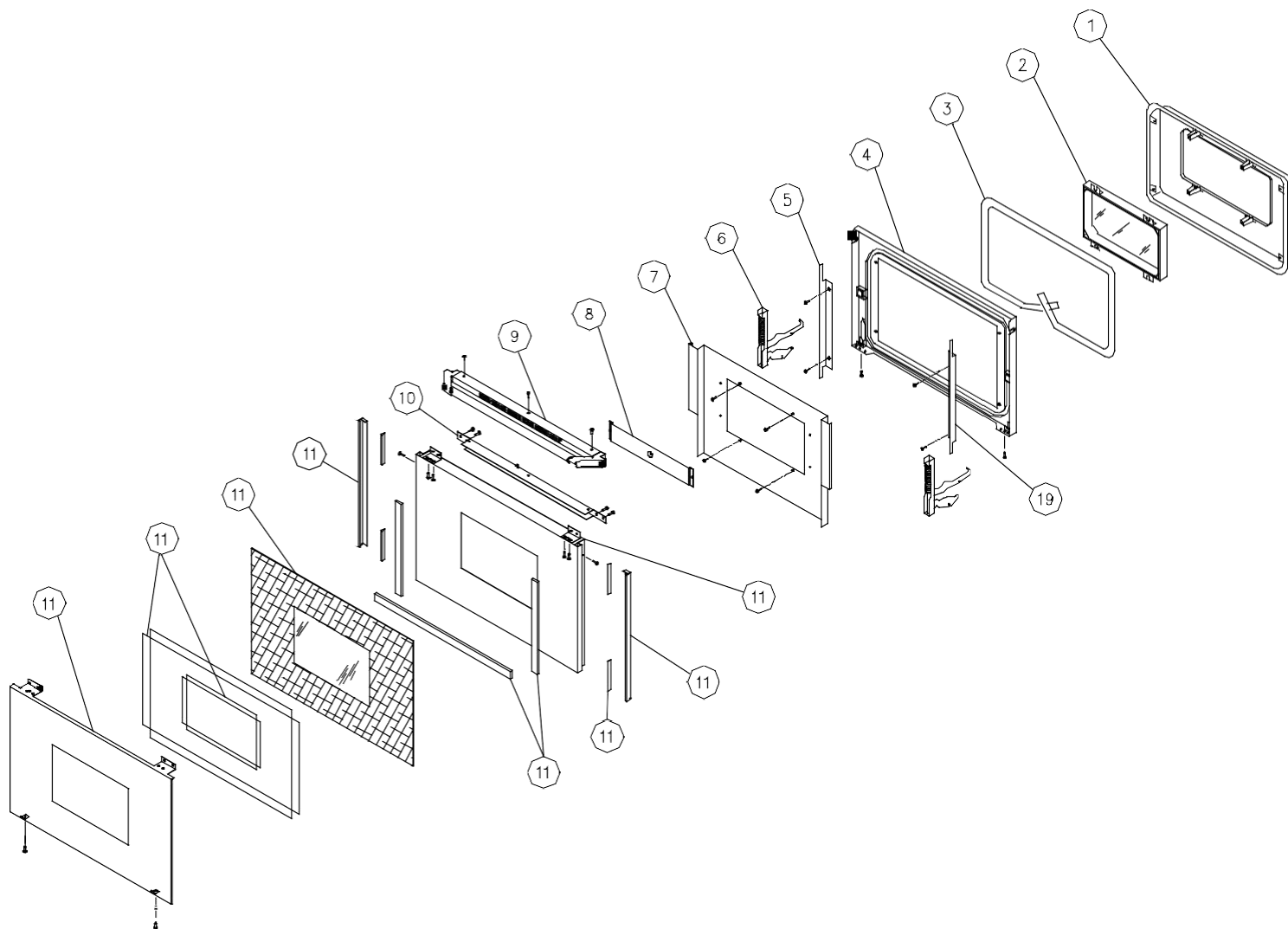
- Your name and phone number
- Product model number
- Product serial number
- The part number(s) you need

Page #	Description
2	Door Assembly
3	Sub-Chassis
4	Base Assembly
5	Cooktop Base Rev A
	Cooktop Base

Page #	Description
8	Manifold Rev A
9	Manifold Rev B
10	Manifold Rev C and Later
11	Top Frame Early

Revised 10-25-2011

# ERSD30 Range Door Assembly



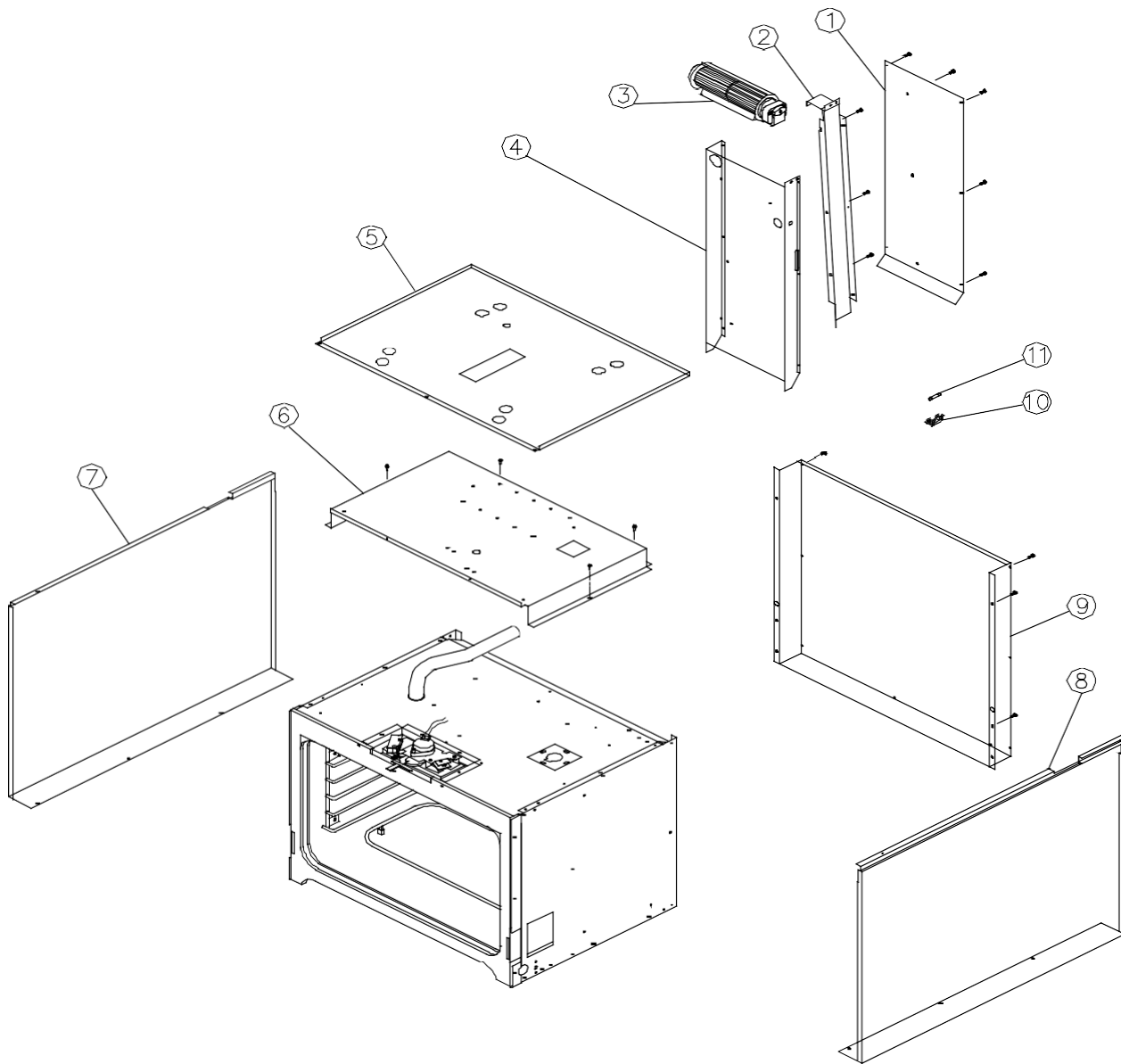
Item	Part #	Description
1	27459BP	INNER LINER ASSEMBLY
2	12470	WINDOW PACK
3	82124	DOOR GASKET
4	86746	OUTER LINER
5	26577	LEFT SHIELD
6	82508	DOOR HINGE
7	26574B	HEAT SHIELD, DOOR
8	26640	HEAT SHIELD, DOOR

Item	Part #	Description
9	13144	DOOR HANDLE ASSEMBLY
10	26435B	BLACK BACKING PANEL
11*	<b>Outer Door Assembly</b>	
	66273	WITH NO LOGO
	66273CH/L	WITH LOGO, CHROME
	66273BR/L	WITH LOGO, BLACK
	66273CP/L	WITH LOGO, COPPER

\* Parts shown are part of outer door assembly. Outer door assembly comes fully assembled from factory.

**Part no longer available? Call Dacor: (800) 793-0093 ex. 3814**

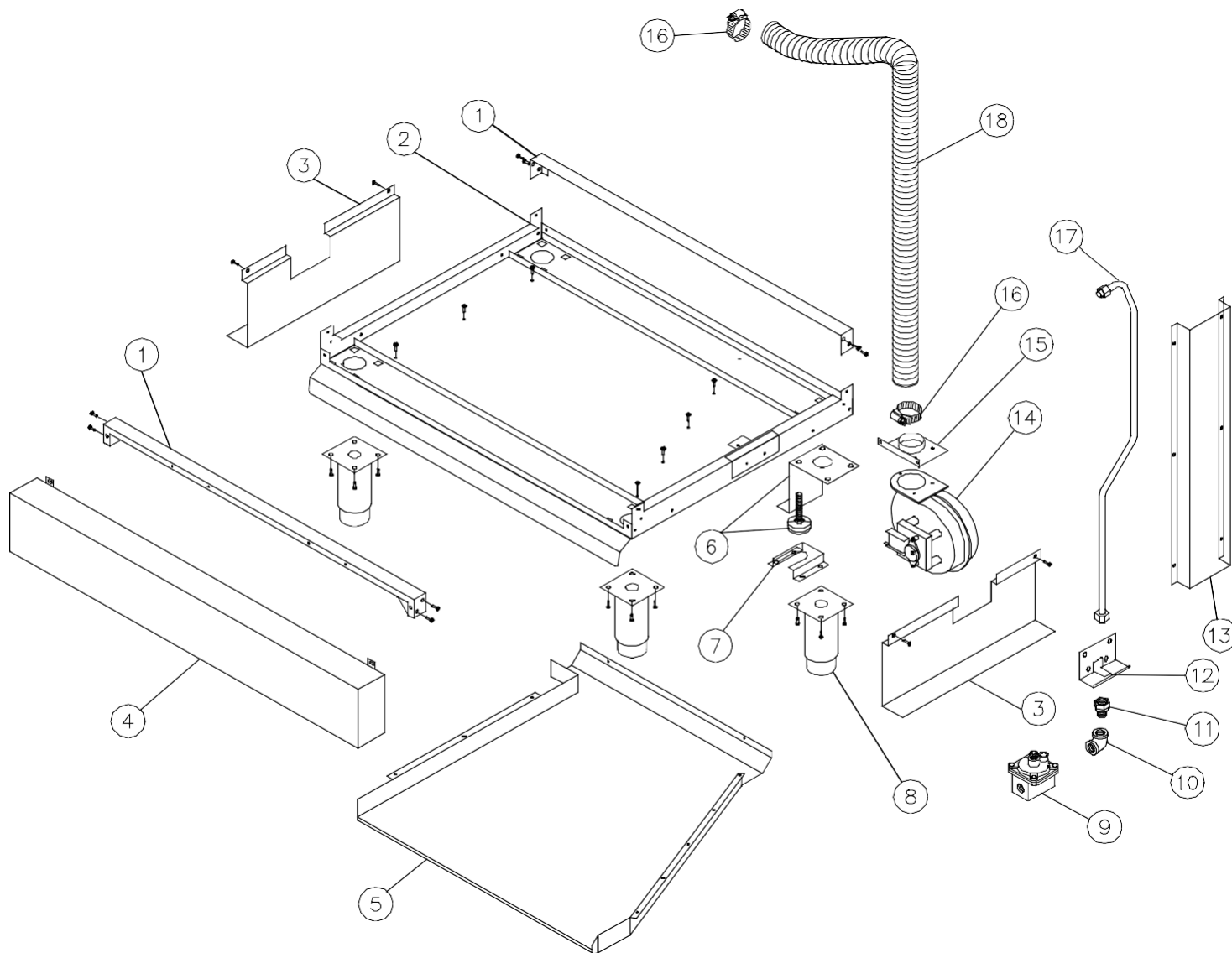
# ERSD30 Range Sub-Chassis



Item	Part #	Description
1	26848	EXHAUST DUCT COVER
2	27248	EXHAUST DUCT DIVIDER
3	82347	COOLING FAN
4	26847	EXHAUST DUCT
5	26875	HEAT SHIELD, TOP FRAME
6	26044	SUB CHASSIS
7	26942	SIDE PANEL, LH
	26901	PARTIAL SIDE PANEL, LH
8	26943	SIDE PANEL, RH
	26903	PARTIAL SIDE PANEL, RH
9	26946	BACK COVER
10	62281	FUSE HOLDER
11	62286	FUSE, 15 AMP

**Part no longer available? Call Dacor: (800) 793-0093 ex. 3814**

# ERSD30 Range Base Assembly



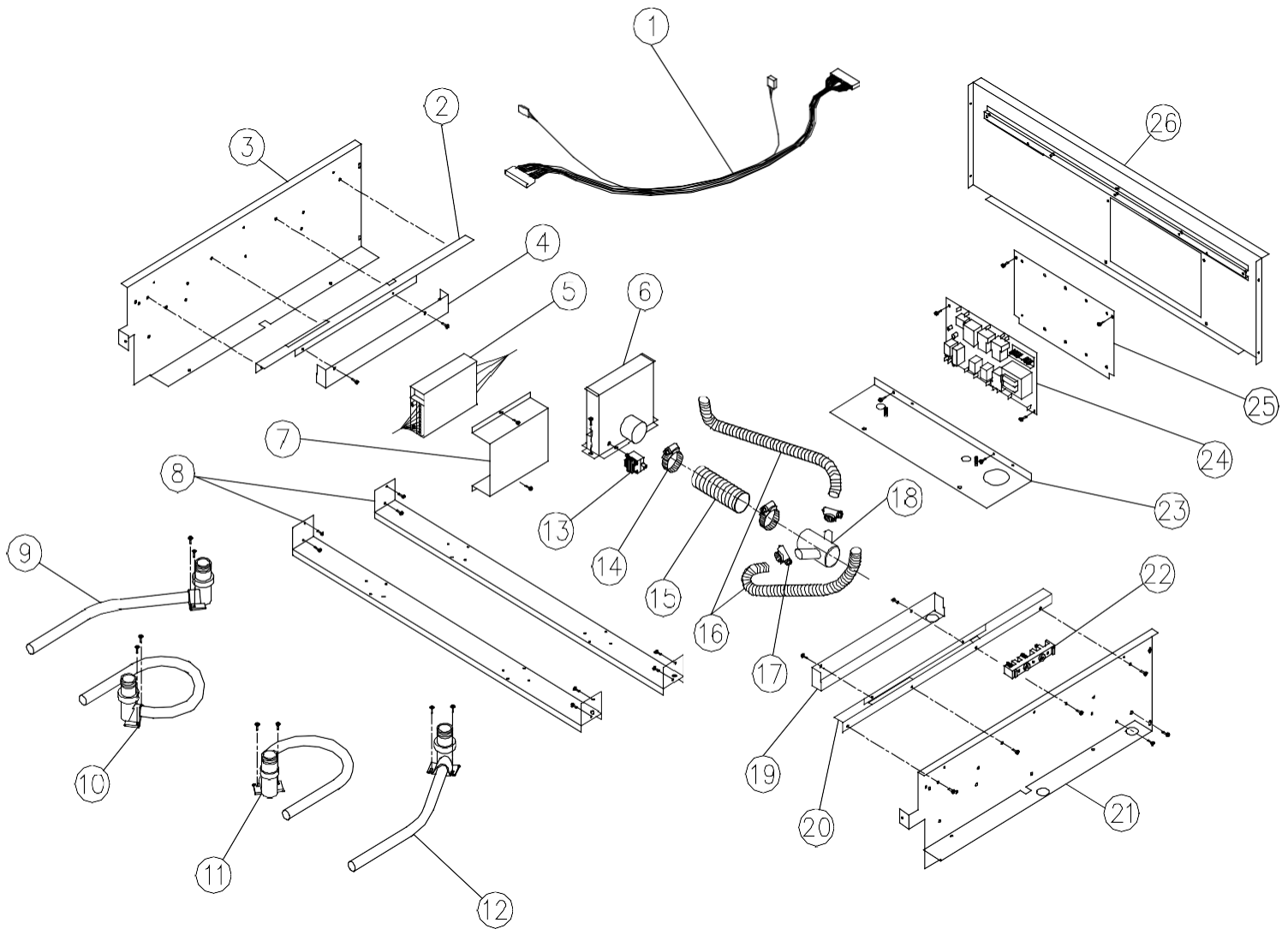
Item	Part #	Description
1	27189	BASE STIFFENER ASSEMBLY
2	27197	BASE ASSEMBLY
3	26910	PALLET ANGLE
4	26801	LOWER TRIM PANEL
5	27240	EXHAUST DUCT ASSEMBLY
6	27274	ANTI TIP BRACKET ASSEMBLY
7	26041	ANTI-TIP BRACKET
8	700000	ADJUSTABLE LEGS
9*	62434	PRESSURE REGULATOR
10*	83281	ELBOW, 90 DEG. 1/2 IPS

Item	Part #	Description
11*	83050	ADAPTER, 3/8 FPT TO 3/8 TB
12*	26130	BRACKET, INLET FITTING ATTACH
13*	26941	RACEWAY, GAS TUBE
14*	62224	FLAME STABILIZER BLOWER
15*	26878	MOUNTING BRACKET, AIR DIVERTER BLOWER
16*	62269	HOSE CLAMP, 1 3/4"
17*	62042	TUBE, GAS INLET
18*	62283	TUBE, 1.5" DIAMETER
19	66813	PLASTIC LEG INSERT (not shown)

\* Not used on Rev B and later units. See page 6.

**Part no longer available? Call Dacor: (800) 793-0093 ex. 3814**

# ERSD30 Range Cooktop Base - Rev A Units

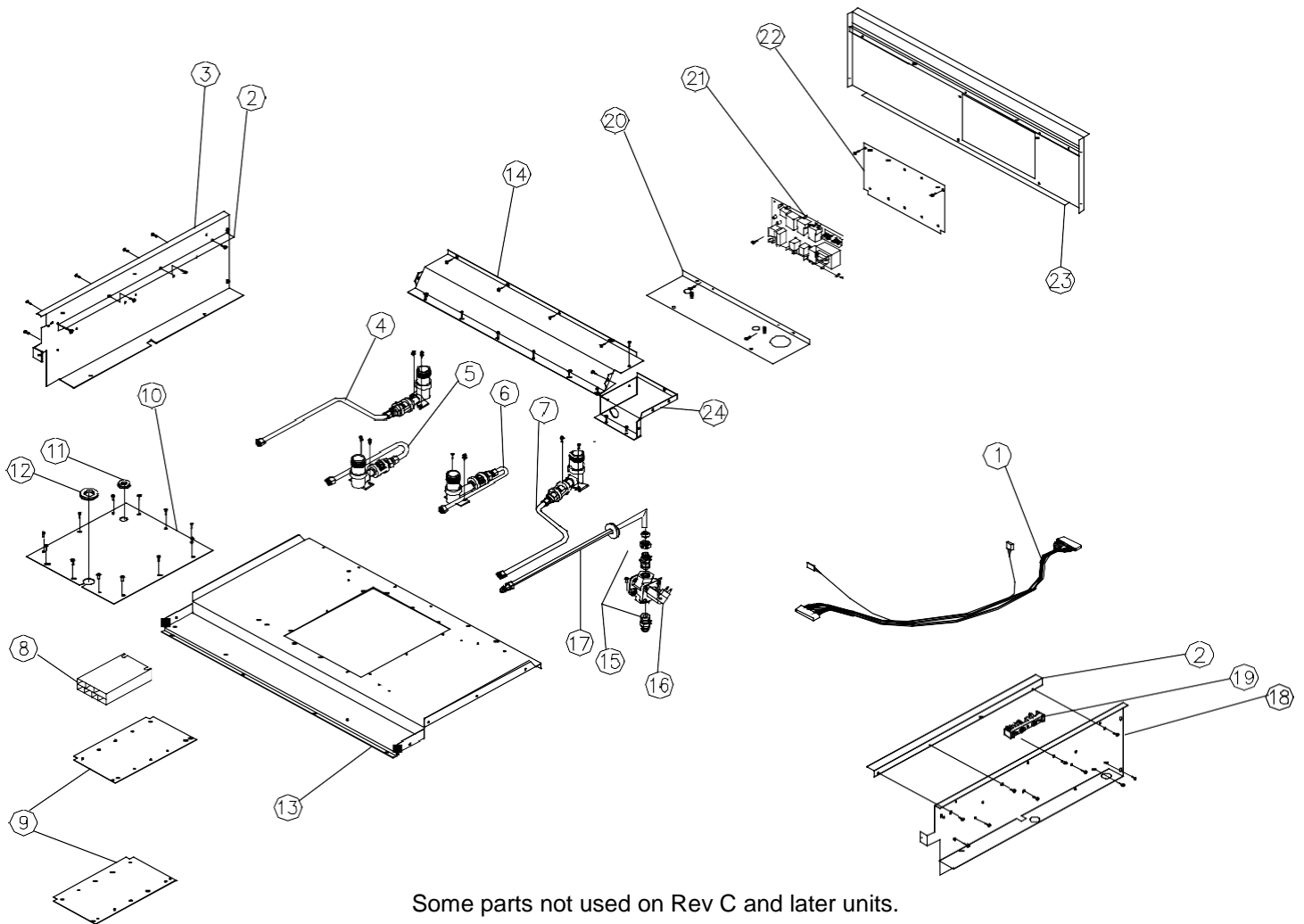


Item	Part #	Description
1	62200	WIRING HARNESS
2	26852	ANGLE, SIDE SUPPORT, LH
3	26830	SIDE SUPPORT LH
4	26944	SIDE AIR DISTRIBUTION, LH
5	86526	SPARK MODULE
6	27200	VENT TRANSITION ASSEMBLY
7	26874	IGNITOR BRACKET
8	26797	BURNER SUPPORT CHANNEL
9	62028	BURNER TUBE, LR
10	62026	BURNER TUBE, LF
11	62027	BURNER TUBE, RF
12	62029	BURNER TUBE, RR
13	62222	PRESSURE SWITCH
14	62269	HOSE CLAMP, 1 3/4"

Item	Part #	Description
15	62283	TUBE, 1 1/2"
16	62278	TUBE, 3/4"
17	62268	HOSE CLAMP, 1 1/4"
18	62255	TRANSITION, 3 WAY AIR
19	26945	SIDE AIR DISTRIBUTION, RH
20	26789	ANGLE, SIDE SUPPORT
21	78299	SIDE SUPPORT ASSEMBLY, RH
22	82151	TERMINAL BLOCK
23	27401	AIR Baffle ASSEMBLY
24	82127	RELAY, PCB
25	26072	PCB MOUNTING PLATE
26	78150	PANEL, REAR
27	86375	IGNITOR HARNESS, 4 WIRE (not shown)

**Part no longer available? Call Dacor: (800) 793-0093 ex. 3814**

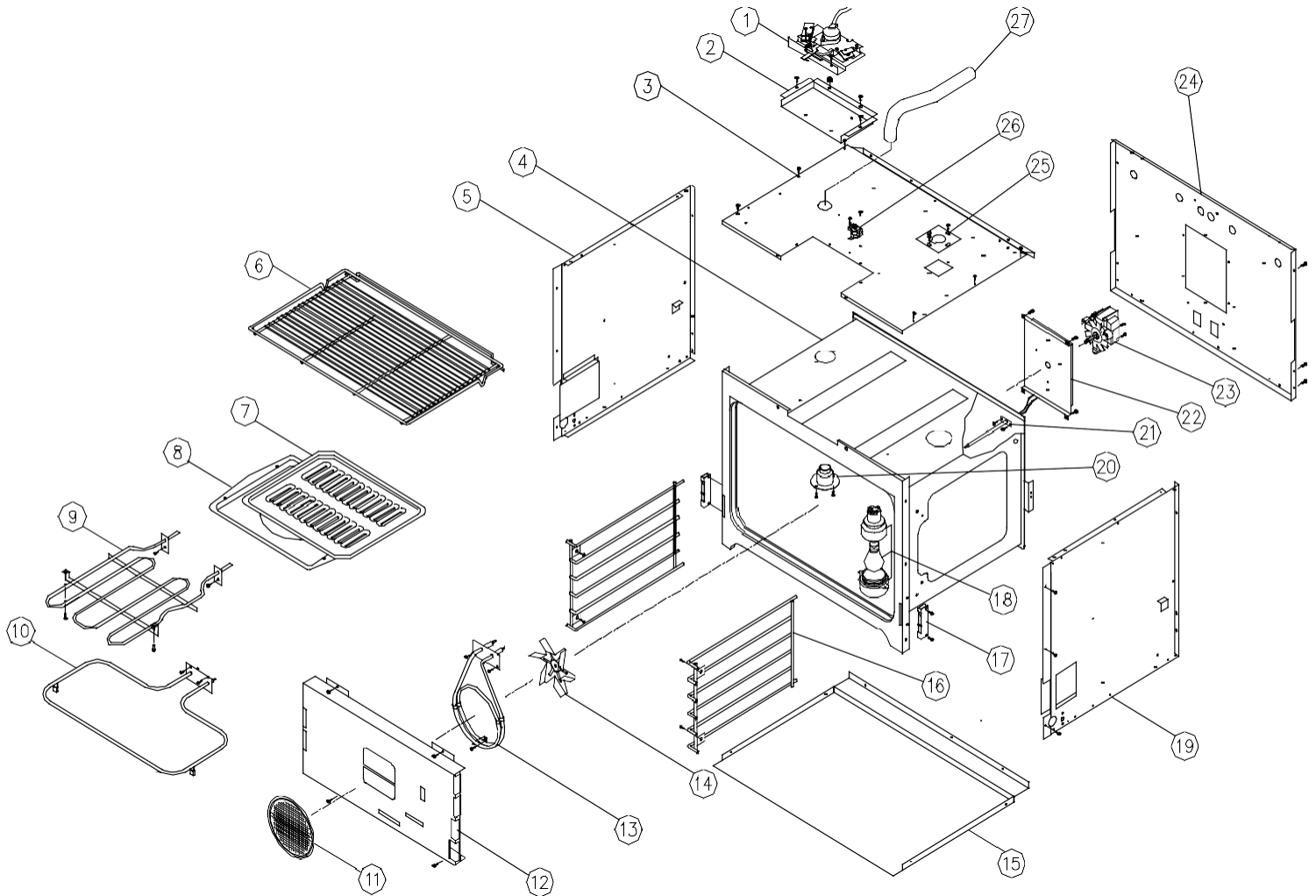
# ERSD30 Cooktop Base - Rev B and Later Units



Item	Part #	Description
1	62200	WIRING HARNESS
2	26789	ANGLE, SIDE SUPPORT
3	26830	SIDE SUPPORT LH
4	62411	BURNER TUBE #1 - LR, NG
	62415	BURNER TUBE #1 - LR, LP
	62419	BURNER TUBE #1 - LR, NG/H
	62423	BURNER TUBE #1 - LR, LP/H
5, 6	62412	BURNER TUBE #2 - LF, NG
	62415	BURNER TUBE #2 - LF, LP
	62420	BURNER TUBE #2 - LF, NG/H
	62424	BURNER TUBE #2 - LF, LP/H
7	62414	BURNER TUBE #4 - RR, NG
	62418	BURNER TUBE #4 - RR, LP
	62422	BURNER TUBE #4 - RR, NG/H
	62426	BURNER TUBE #4 - RR, LP/H
8	86526	SPARK MODULE
9	26072	HEAT SHIELD

Item	Part #	Description
10	36120	COVER PLATE CHASSIS
11	83061	SEAL, IGNITOR WIRES
12	83058	SEAL, WIRE HARNESS
13	36119	CHASSIS TOP
14	36141	COOLING FAN/ RELAY BOARD ACCESS PANEL
	13337	REGULATOR TUBE ASSEMBLY - NG
15	13336	REGULATOR TUBE ASSEMBLY - LP
	62320	PRESSURE REGULATOR - NG
16	62434	PRESSURE REGULATOR - LP
	62429	5/8" ALUMINUM TUBING
17	62429	5/8" ALUMINUM TUBING
18	78299	SIDE SUPPORT ASSEMBLY, RH
19	82151	TERMINAL BLOCK
20	27401	AIR BAFFLE ASSEMBLY
21	82127	RELAY PCB
22	26072	PCB MOUNTING PLATE
23	78160	REAR PANEL

# ERSD30 Range Oven Assembly

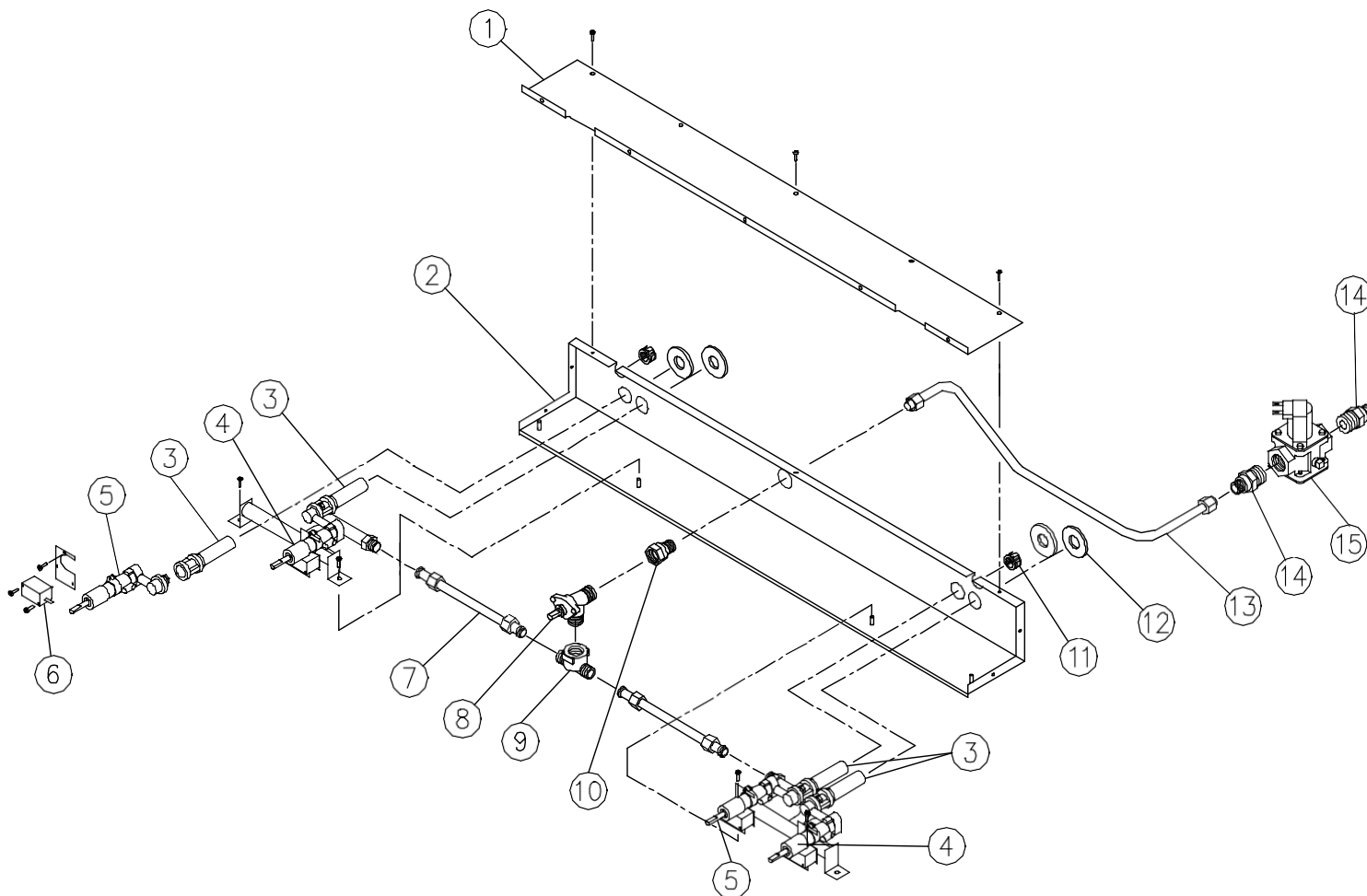


Item	Part #	Description
1	86166	DOOR LATCH MECHANISM
2	26598	LATCH PLATE
3	26629	CASE TOP
4	27462BP	OVEN CELL
5	27454	CASE SIDE LH
6	62139	OVEN RACK
7	82106	BROILER PAN
8	82107	PORCELAIN PAN
9	82817	BROIL ELEMENT 3000 W
10	86745	BAKE ELEMENT
11	82891	FILTER CONVECTION
12	26655BP	CONVECTION BAFFLE
13	82377	CONVECTION ELEMENT 2200 W
14	82651	FAN BLADE, CONVECTION MOTOR

Item	Part #	Description
15	26633	CASE BOTTOM
16	82650	SUPPORT RACK
17	82851	DOOR HINGE RECEPTACLE
18	86123	LIGHT ASSEMBLY
19	27453	CASE SIDE, RH
20	82826	SMOKE ELIMINATOR
21	82835	TEMPERATURE SENSOR
22	27470	CONVECTION MOTOR MOUNTING PLATE
23	82647	CONVECTION MOTOR
24	26632	CASE BACK
25	26560	COVER PLATE, LIGHT
26	82987	THERMAL SWITCH, HIGH-TEMP
27	82240	EXHAUST TUBE

**Part no longer available? Call Dacor: (800) 793-0093 ex. 3814**

# ERSD30 Range Manifold - Rev A Units



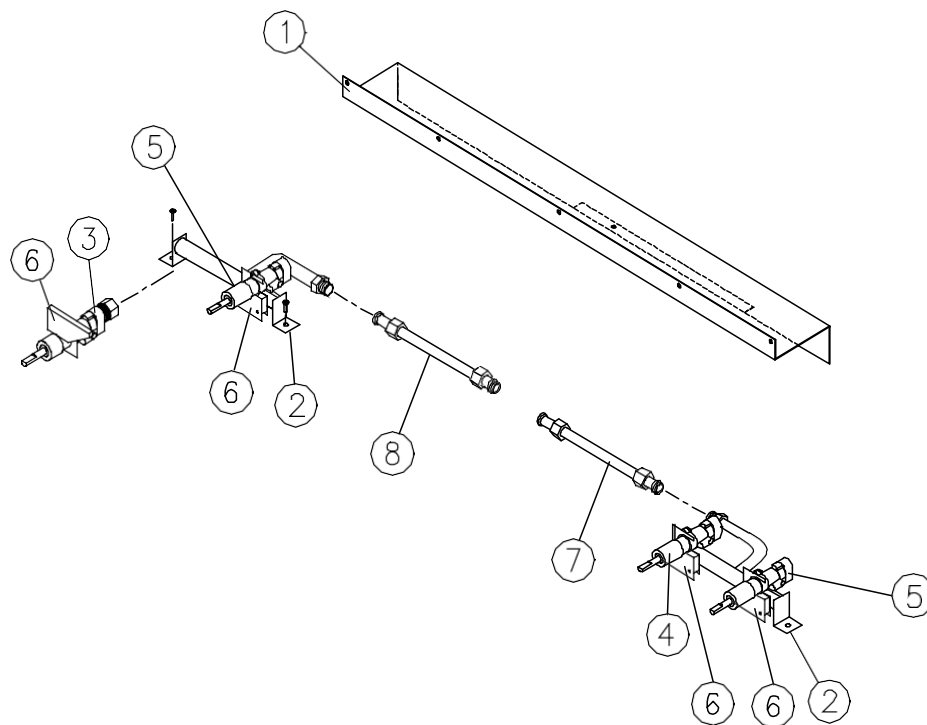
Item	Part #	Description
1	26788	TOP, MANIFOLD ENCLOSURE
2	27185	MANIFOLD ENCLOSURE
3	86421	AIR SHUTTER
4	86316	VALVE - NG/RH
	86312	VALVE - LP/RH
	86310	VALVE - NG/RH/HA
	86315	VALVE - LP/RH/HA
5	86309	VALVE - NG/LH
	86318	VALVE - LP/LH
	86317	VALVE - NG/LH/HA
	86319	VALVE - LP/LH/HA
6	86425	MICROSWITCH
7	62039	GAS TUBE
8	82080	GAS VALVE SHUT OFF - 90 DEG

Item	Part #	Description
9	62041	TEE - 3/8"
10	83050	ADAPTER, 1/2" MNPT
11	83061	BUSHING, 5/8"
12	83067	SEAL, SHUT OFF VALVE
13	62141	GAS INLET TUBE
14	62002	ADAPTER
15	62226	SOLENOID GAS VALVE
<b>Complete Manifold Assemblies</b>		
	62044	RH COMPLETE MANIFOLD ASSY, NG
	62043	LH COMPLETE MANIFOLDASSY, NG
	62114	RH COMPLETE MANIFOLDASSY, LP
	62113	LH COMPLETE MANIFOLDASSY, LP

**Part no longer available? Call Dacor: (800) 793-0093 ex. 3814**



# ERSD30 Range Manifold - Rev B Units

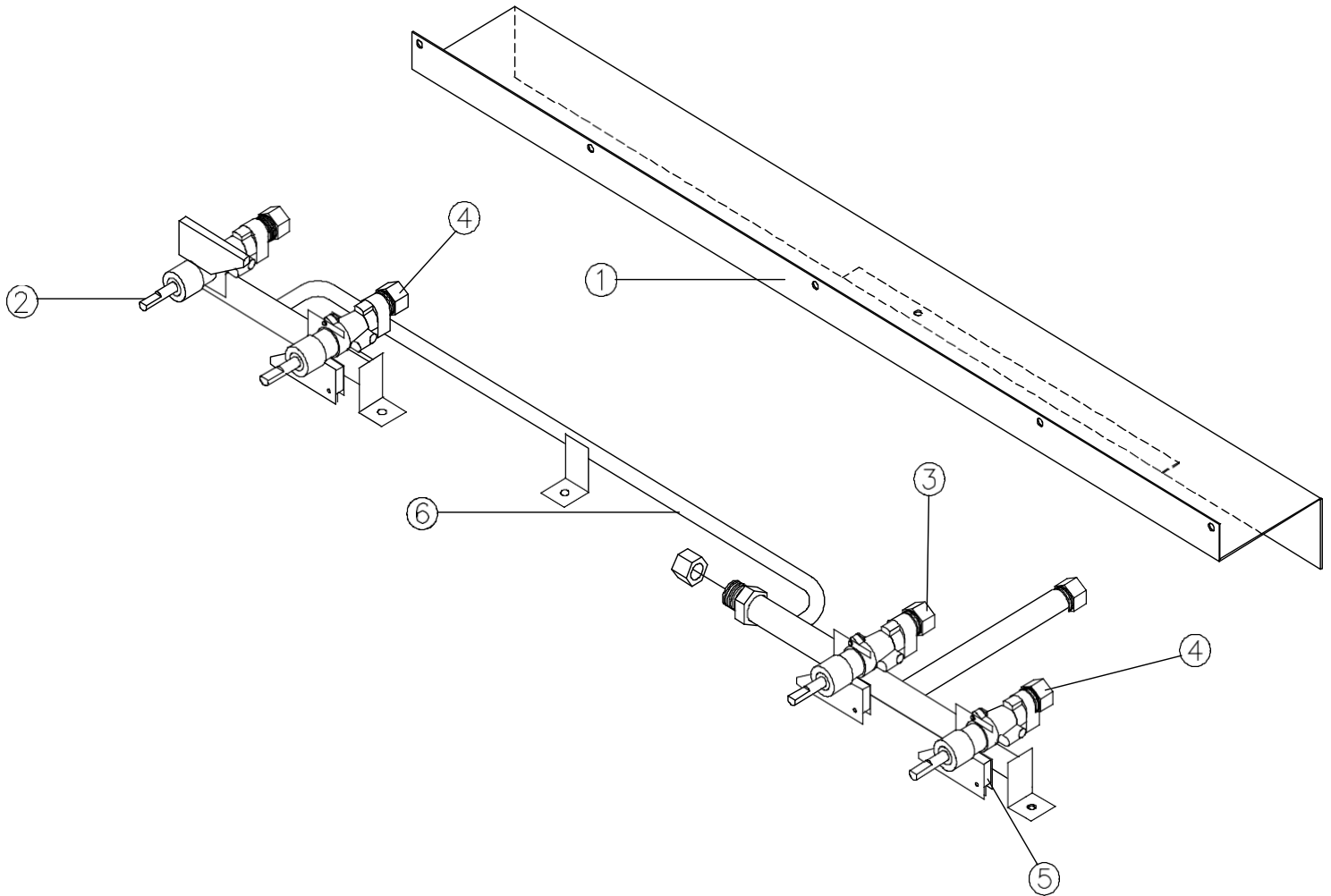


Item	Part #	Description
1	36147	OVEN CONTROL HEAT SHIELD
2	62428	MANIFOLD ASSEMBLY, NG
	62494	MANIFOLD ASSEMBLY, LP
	62493	MANIFOLD ASSEMBLY NG/HA
	62492	MANIFOLD ASSEMBLY LP/HA
3	86555	LR VALVE, NG (Switch on top)
	86558	LR VALVE, LP (Switch on top)
	86561	LR VALVE, NG/HA (Switch on top)
	86564	LR VALVE, LP/HA (Switch on top)
4	86556	RF VALVE, NG (Switch on bottom)
	86559	RF VALVE, LP (Switch on bottom)
	86562	RF VALVE, NG/HA (Switch on bottom)
	86565	RF VALVE, LP/HA (Switch on bottom)

Item	Part #	Description
5	86557	LF, RR VALVE, NG (Switch on bottom)
	86560	LF, RR VALVE, LP (Switch on bottom)
	86563	LF, RR VALVE, NG/HA (Switch on bottom)
	86566	LF, RR VALVE, LP/HA (Switch on bottom)
6	86425	MICROSWITCH
7	62141	GAS TUBE, RH
8	62039	GAS TUBE, LH
9	62041	T TUBE 3/8" (Not shown)
10	62501	FITTING 3/8" TO 5/8"

**Part no longer available? Call Dacor: (800) 793-0093 ex. 3814**

# ERSD30 Manifold - Rev C and Later Units

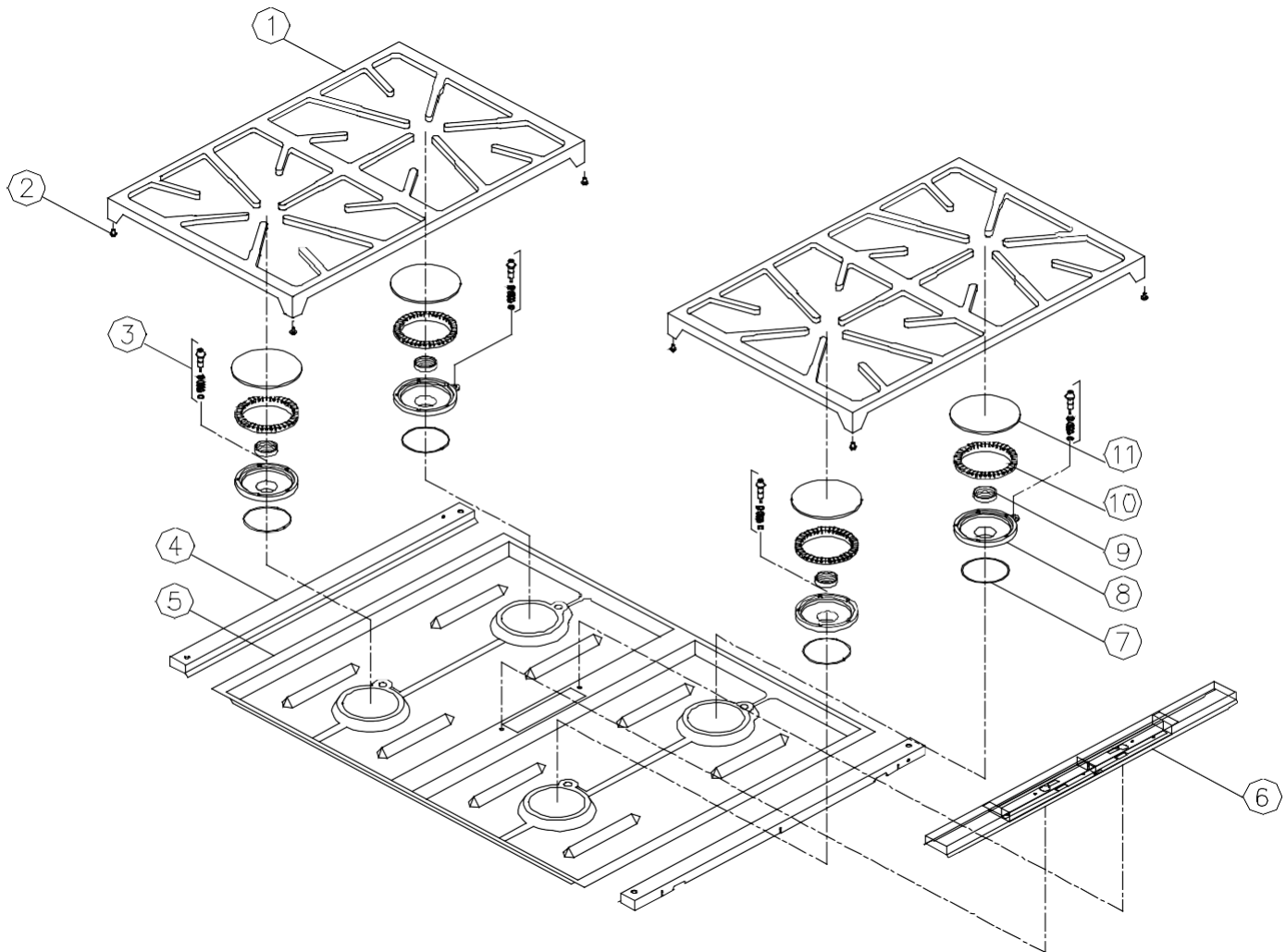


Item	Part #	Description
1	36147	OVEN CONTROL HEAT SHIELD
2	86555	LR VALVE, NG (Switch on top)
	86558	LR VALVE, LP (Switch on top)
	86561	LR VALVE, NG/HA (Switch on top)
	86564	LR VALVE, LP/HA (Switch on top)
3	86556	RF VALVE, NG (Switch on bottom)
	86559	RF VALVE, LP (Switch on bottom)
	86562	RF VALVE, NG/HA (Switch on bottom)
	86565	RF VALVE, LP/HA (Switch on bottom)

Item	Part #	Description
4	86557	LF, RR VALVE, NG (Switch on bottom)
	86560	LF, RR VALVE, LP (Switch on bottom)
	86563	LF, RR VALVE, NG/HA (Switch on bottom)
	86566	LF, RR VALVE, LP/HA (Switch on bottom)
5	86425	MICROSWITCH
6	62427	MANIFOLD ASSEMBLY, NG
	62497	MANIFOLD ASSEMBLY, LP
	62496	MANIFOLD ASSEMBLY NG/HA
	62495	MANIFOLD ASSEMBLY LP/HA

**Part no longer available? Call Dacor: (800) 793-0093 ex. 3814**

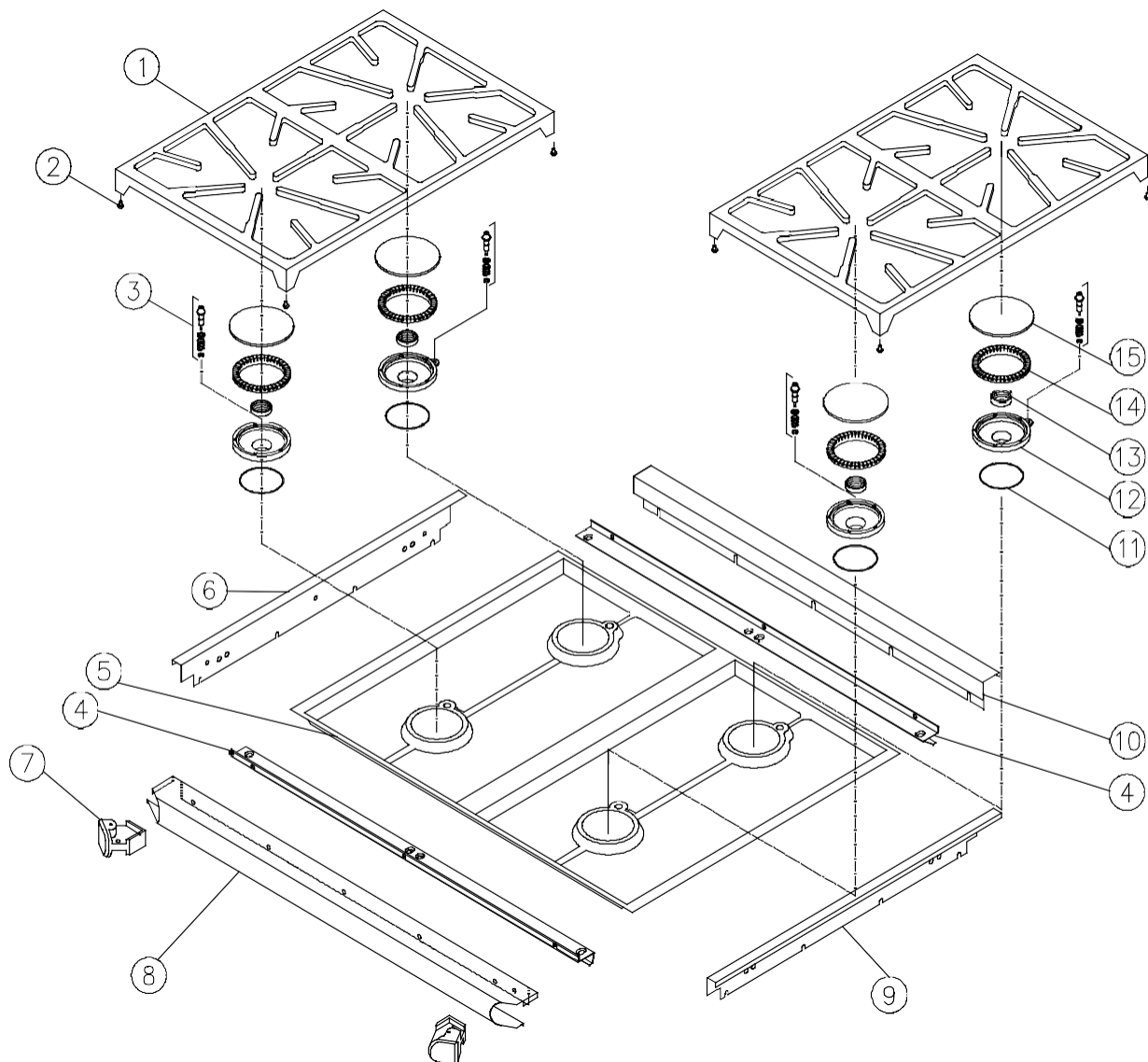
# ERSD30 Range Top Frame - Early Units



Item	Part #	Description
1	82368BM	GRATE
2	86474	GRATE SUPPORT PAD
3	66281	IGNITOR ASSEMBLY
4	36153	SIDE GRATE SUPPORT
5	26744BP	SPILL TRAY
6	27275	CENTER GRATE SUPPORT
7	86395	O-RING, "D" BURNER HEAD
8	62291	BURNER HEAD, "D" BURNER
9	86405	BRASS NUT
10	82564	BURNER RING, "D" BURNER
11	62022BM	BURNER CAP, "D" BURNER

**Part no longer available? Call Dacor: (800) 793-0093 ex. 3814**

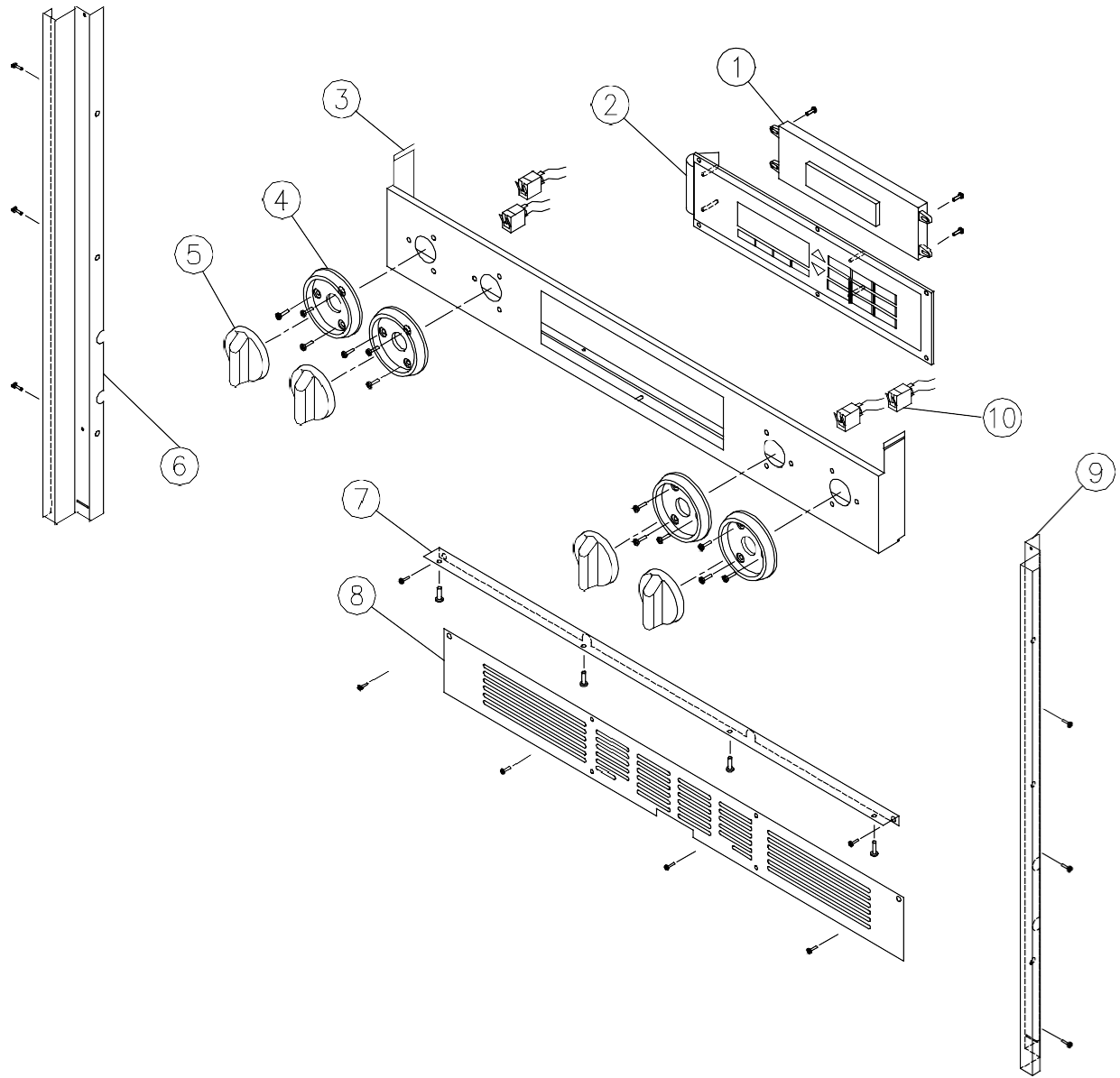
# ERSD30 Range Top Frame - Later Units



Item	Part #	Description
1	82368BM	GRATE
2	86474	GRATE SUPPORT PAD
3	66281	IGNITOR ASSEMBLY
4	26958BP	SIDE GRATE SUPPORT
5	26825BP	SPILL TRAY
6	26831	TRIM, SIDE TOP LEFT
7	62023B	END CAP
8	86908	BULL NOSE ASSEMBLY, INCLUDING END CAPS

Item	Part #	Description
9	26791	TRIM, SIDE TOP RIGHT
10	26793	TOP REAR TRIM
11	86395	O-RING
12	62291	BURNER HEAD
13	86405	BRASS NUT
14	82564	BURNER RING, "D" BURNER
15	62022BM	BURNER CAP, "D" BURNER

# ERSD30 Range Control Panel



Item	Part #	Description
1	62692	OVEN CONTROL
2	62301B	MEMBRANE
3	26790E	CONTROL PANEL
4	62020C	TRIM RING - CHROME
5	62021B	KNOBS
6	26798	TRIM POST - LH
7	26268B	BEZEL TRIM
8	26288B	INTAKE GRILL
9	26799	TRIM POST - RH
10	82086	BLUE INDICATOR LIGHT

**Part no longer available? Call Dacor: (800) 793-0093 ex. 3814**