



The Life of the Kitchen.®

PARTS CATALOG

ERG30 Range

IMPORTANT: This product may have some parts that are **No Longer Available (NLA)**. If the part you need is no longer available, please contact Dacor for a possible solution:

DACOR CARES PROGRAM NLA Part Locator Service

Customer Contact Number:

(800) 793-0093 ex. 2813
Hours: 6:00 AM - 5:00 PM Pacific Time

Service Agent/Technician Contact Number:

(800) 793-0093 ex. 3814
Hours: 7:00 AM - 4:00 PM Pacific Time

Web Inquiries: www.dacor.com/dacorcares **Email Inquiries:** dacorcares@dacor.com

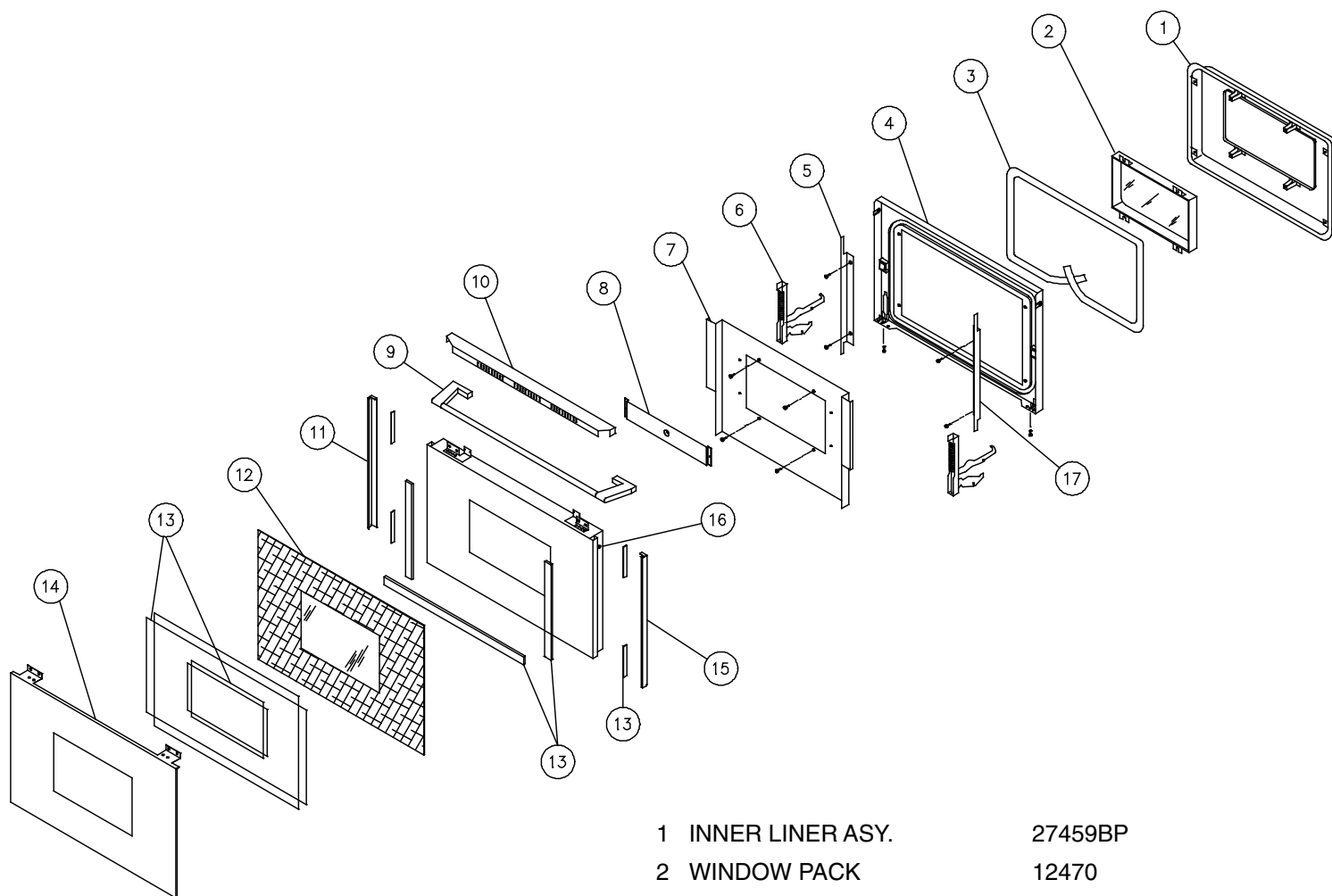
Please provide the following information:

- Your name and phone number
- Product serial number
- Product model number
- The part number(s) you need

Page	Description
2	Door Assembly
3	Oven Sub-Chassis
4	Base Assembly
5	Cooktop Sub-Chassis
6	Oven Cell Assembly
7	Oven Components
8	Manifold Assembly
9	Bezel Assembly
10	Top Frame Assembly

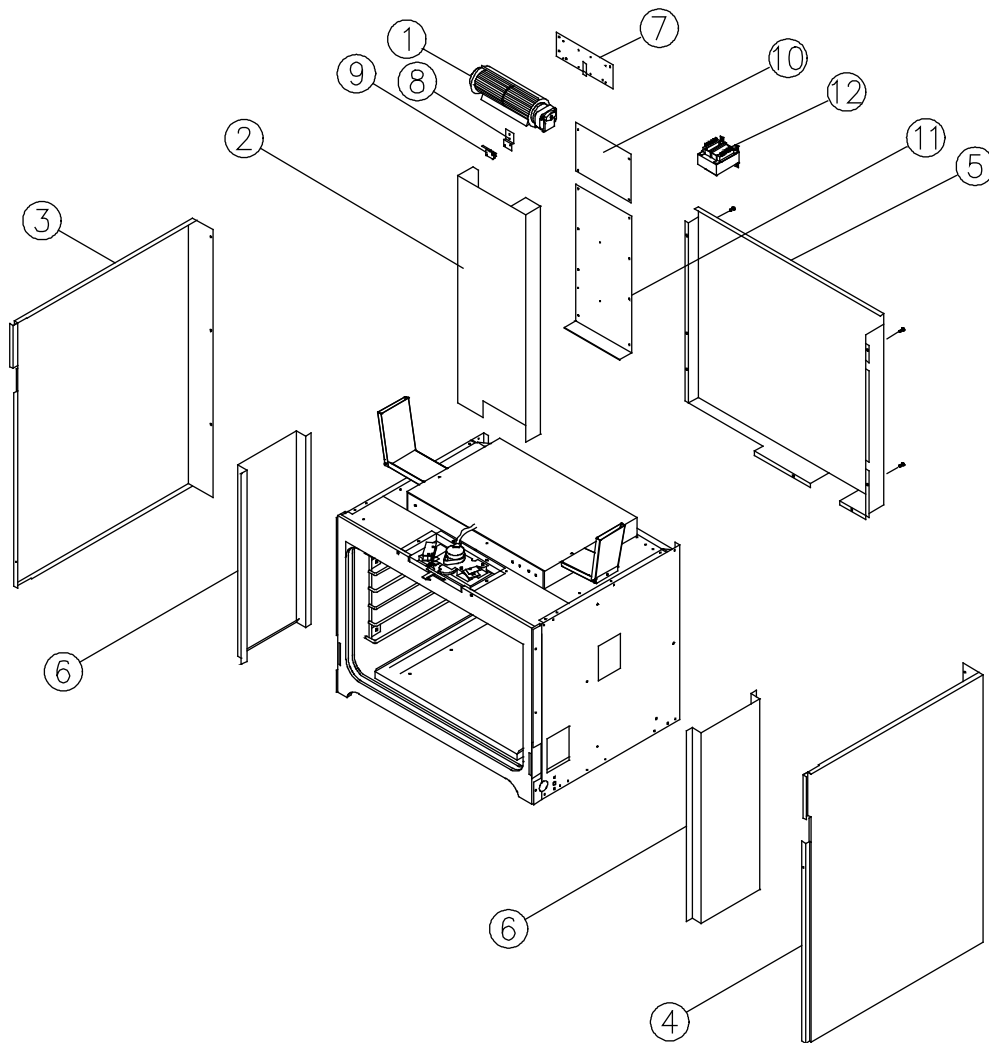
Revised 03-02-2012

ERG30 Range Door Assembly



1	INNER LINER ASY.	27459BP
2	WINDOW PACK	12470
3	GASKET DOOR	72020
4	OUTER LINER ASY.	27460BP
5	LEFT SHIELD	26577
6	DOOR HINGE	82508
7	DOOR HEAT SHIELD	26574B
8	HEAT SHIELD	26640
9	HANDLE ASSY.	13407SBK, CH, BR, CP
10	DOOR VENT	36338
11	LEFT DOOR TRIM	26370
12	DOOR GLASS	82216B
13	DBL SIDE TAPE	83573
14	DOOR SKIN	26233
15	RIGHT DOOR TRIM	26371
16	MTG DOOR FR	27613B
17	RIGHT SHIELD	26576

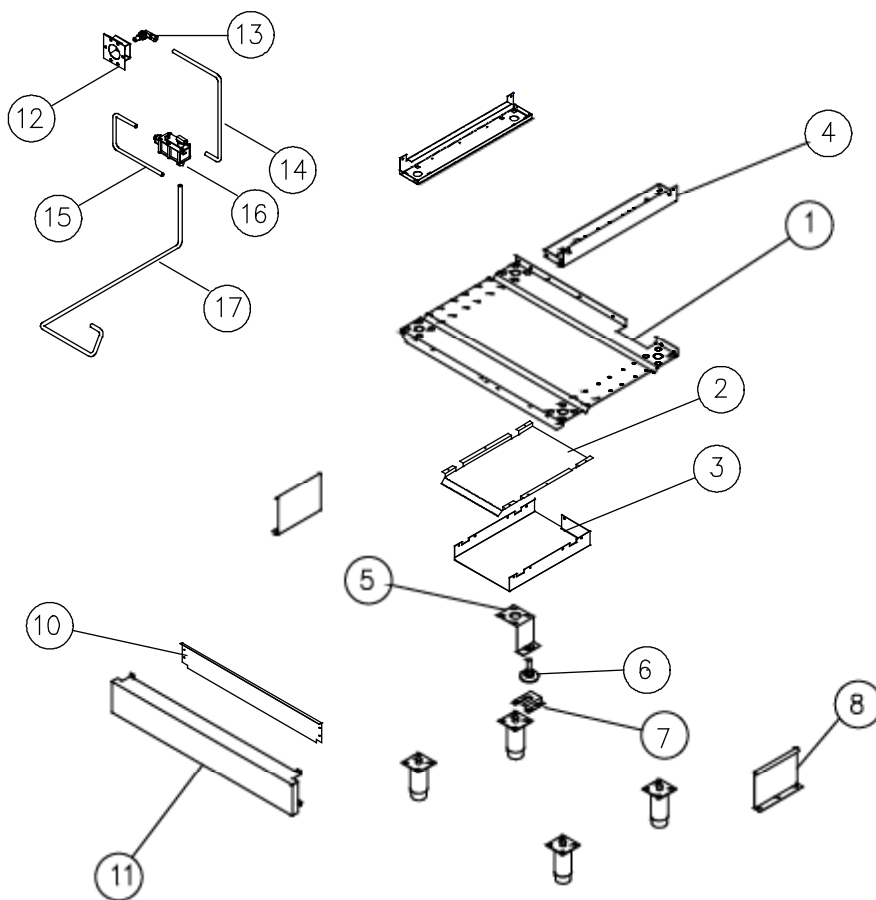
ERG30 Range Oven Sub-Chassis



1	COOLING FAN	82347
2	REAR AIR DUCT	36409
3	SIDE PANEL, LH	36252
*	PARTIAL SIDE PANEL,LH	26901
4	SIDE PANEL, RH	36253
*	PARTIAL SIDE PANEL,RH	26903
5	BACK COVER	36425
6	COVER HALOGEN LIGHTS	36255
7	COOLING FAN BRACKET	36431
8	BRAKT. FAN STATUS INDICATOR	26448
9	SAIL SWITCH	82081
10	HATCH, REAR AIR DUCT	36505

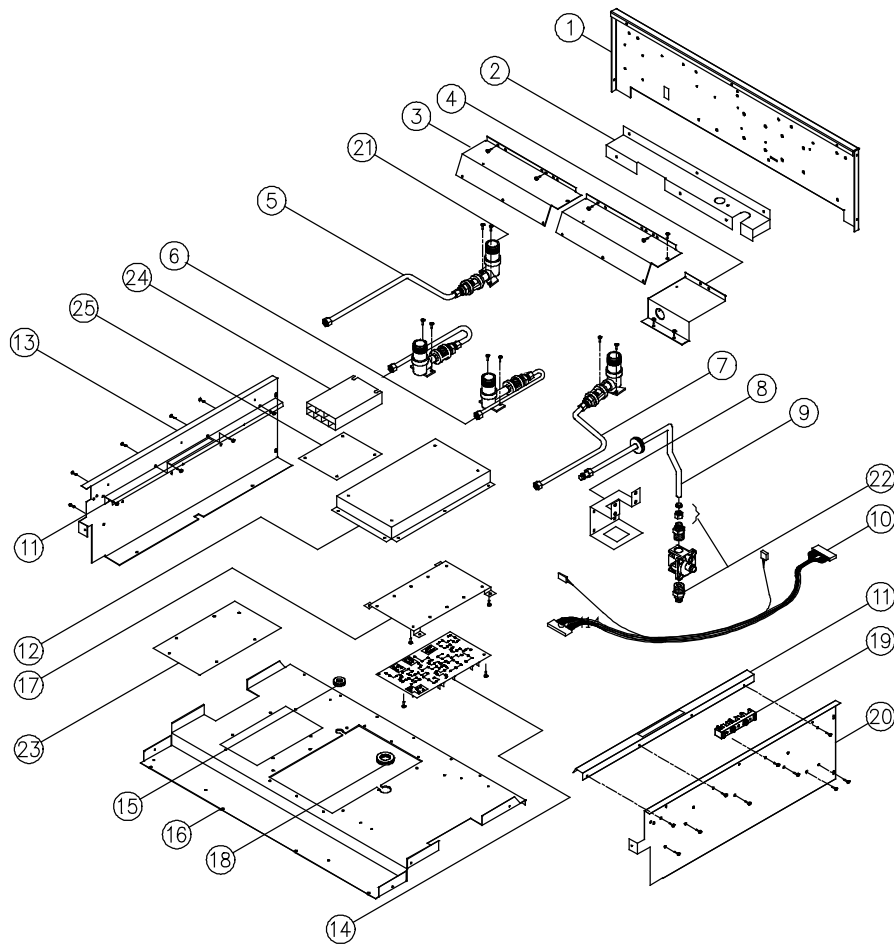
Part no longer available? Contact Dacor: (800) 793-0093 ex. 3814

ERG30 Range Base Assembly



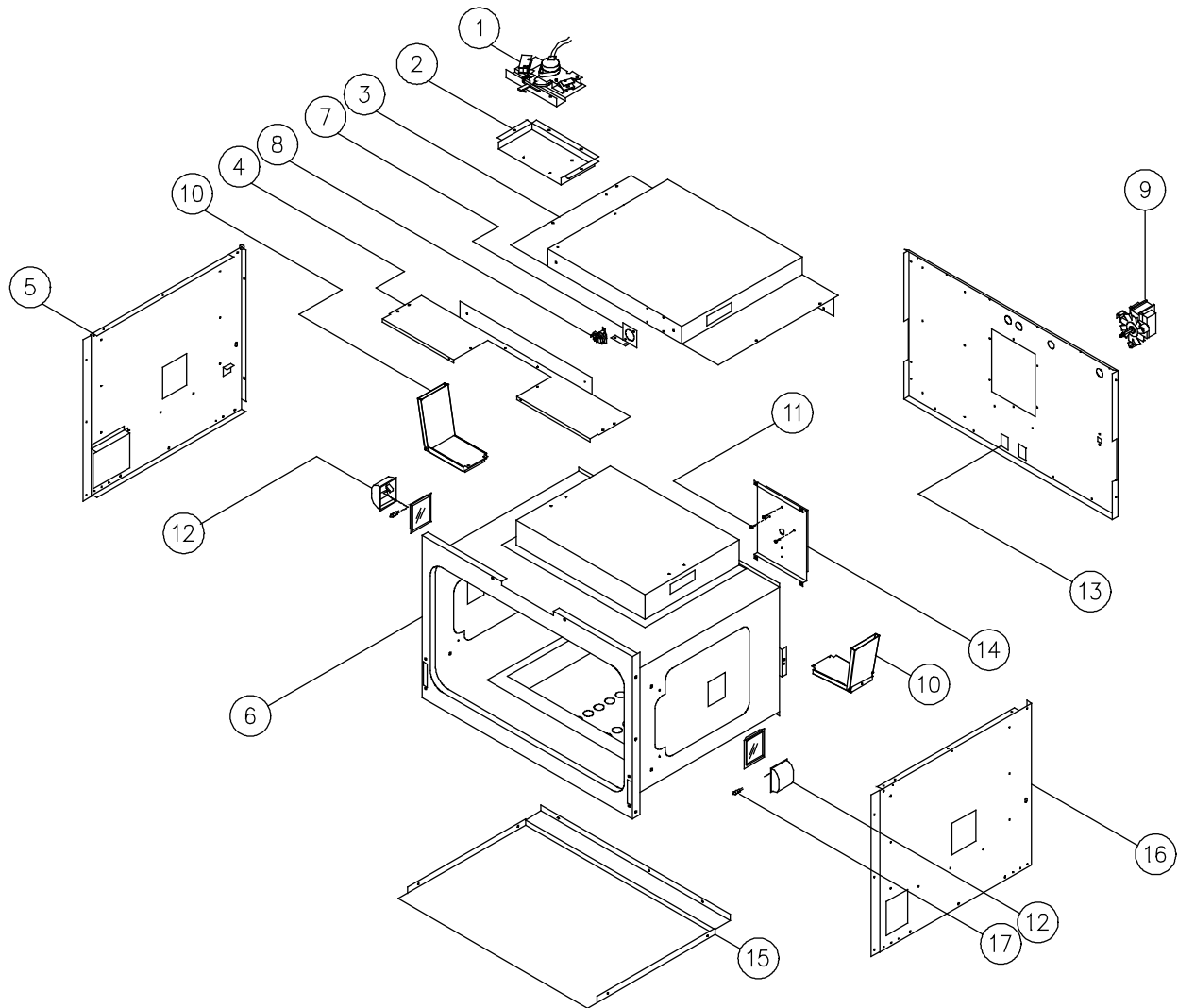
1	BASE TRAY	36410
2	SHELF, BOTTOM AIR DUCT	36406
3	BOTTOM AIR DUCT	36407
4	OVEN SUPPORT	36405
5	ANTI-TIP BRKT ASY.	27274
6	LEVELER, ANTI-TIP BRKT.	83034
7	ANTI-TIP BRKT. (FLOOR)	26041
8	PALLET BRACKET	36268
10	ADJUSTABLE LEG	700000
11	LOWER TRIM PANEL	26801
12	ASY, ORIFICE HOLDER	27588
13	IR. ORIFICE FITTING (NG SL)	72005
*	IR. ORIFICE FITTING (NG SL)	72006
*	IR. ORIFICE FITTING (NG SL)	72002
*	IR. ORIFICE FITTING (NG SL)	72003
14	TUBE, IR BROILER	62820
15	TUBE THERMAL VALVE INLET	62822
16	THERMAL GAS VALVE (DUAL)	82429
17	TUBE, BAKE BURNER NAT. GAS	62821
*	TUBE, BAKE BURNER (LP SL)	62837
*	TUBE, BAKE BURNER (LP HA)	62940
**	PLASTIC LEG INSERT	66813

ERG30 Range Cooktop Sub-Chassis



1	Rear Panel	36496	10	Harness Assembly	62829
2	Air Baffle Assy	27646	11	Angle Side Support	36245B
3	Chassis Back Cover	36415	12	Cover Plate	36248
4	Chassis Box	36474	13	Side Support LH	36504
5	Burner Tube #1 LR, NG	62644	14	Relay PCB	62438
*	Burner Tube #1 LR, LP	62415	15	Ignitor Wire Seal	83278
*	Burner Tube #1 LR, NG/HA	62673	16	Chassis	36424
*	Burner Tube #1 LR, LP/HA	62423	17	PCB Mtg Plate	36416
6	Burner Tube #2 LF & #3 RF, NG	62645	18	Grommet Seal	83058
*	Burner Tube #2 LF & #3 RF, LP	62416	19	Terminal Block	82151
*	Burner Tube #2 LF & #3 RF, NG/HA	62674	20	Side Support RH	27687
*	Burner Tube #2 LF & #3 RF LP/HA	62424	21	Burner Base	62325
7	Burner Tube #4 RR,NG	62646	22	Regulator	62698
*	Burner Tube #4 RR,LP	62418	23	Spark Module Cover	36301
*	Burner Tube #4 RR, NG/HA	62675	24	Spark Module	86526
*	Burner Tube #4 RR, LP/HA	62426	25	Spark Module Plate	36304
8	Regulator Bracket	36263			
9	5/8" Aluminum Tubing	62823			

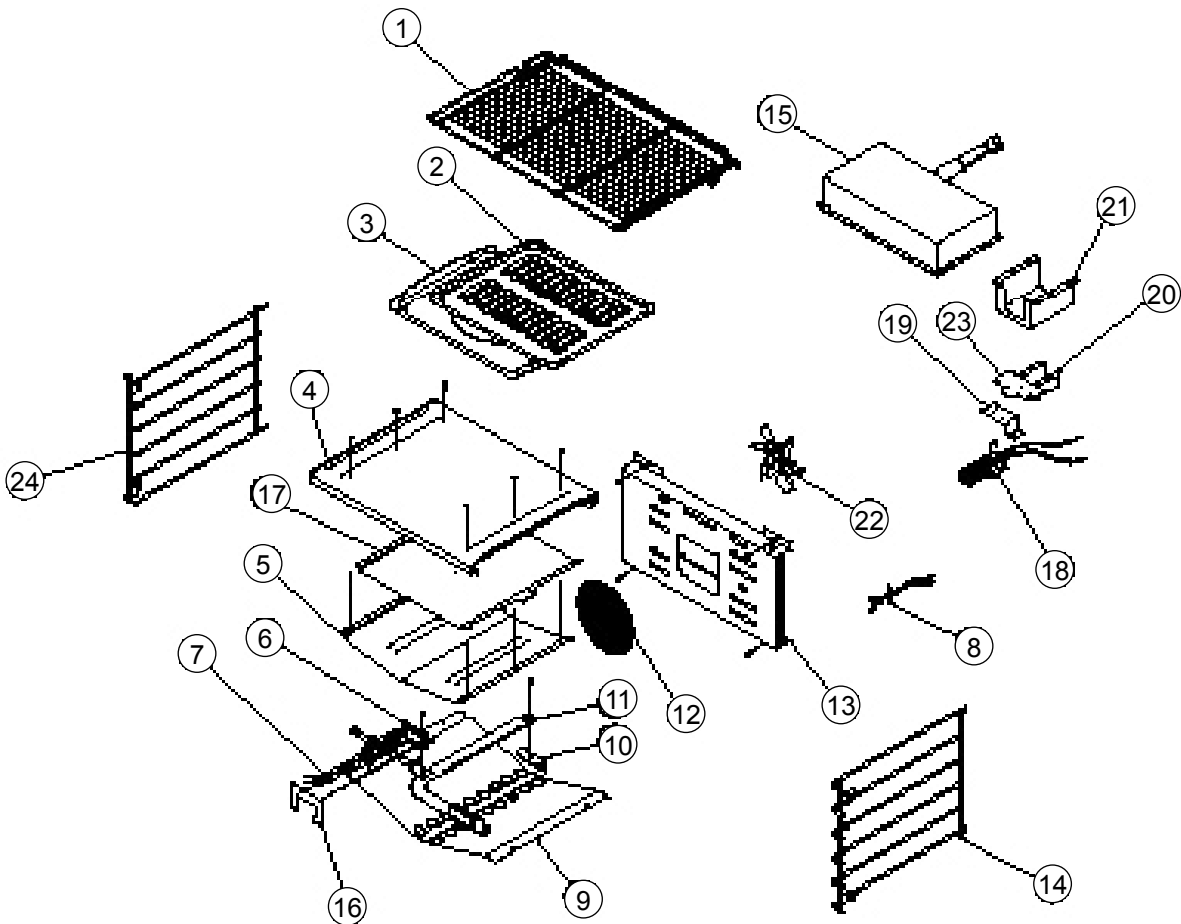
ERG30 Range Oven Cell Assembly



1	DOOR LATCH MECH.	86166	11	HEX SCREW	83569
2	LATCH PLATE	26598	12	HALOGEN LIGHT ASY.	62175
3	CASE TOP REAR	36242	13	CASE BACK	36404
4	CASE TOP FRONT	36241	14	CONV MTR MTG PLATE	36280
5	CASE SIDE ASY., LH	27575	15	CASE BOTTOM	26633
6	OVEN CELL ASY.	27643BP	16	CASE SIDE ASY, RH	27574
7	HI-LIMIT BRKT	36498	17	HALOGEN BULB	86573
8	HI-LIMIT SWITCH	62970			
9	CONVECTION MOTOR	82647			
10	ASY, VENT DUCT	27581			

Part no longer available? Contact Dacor: (800) 793-0093 ex. 3814

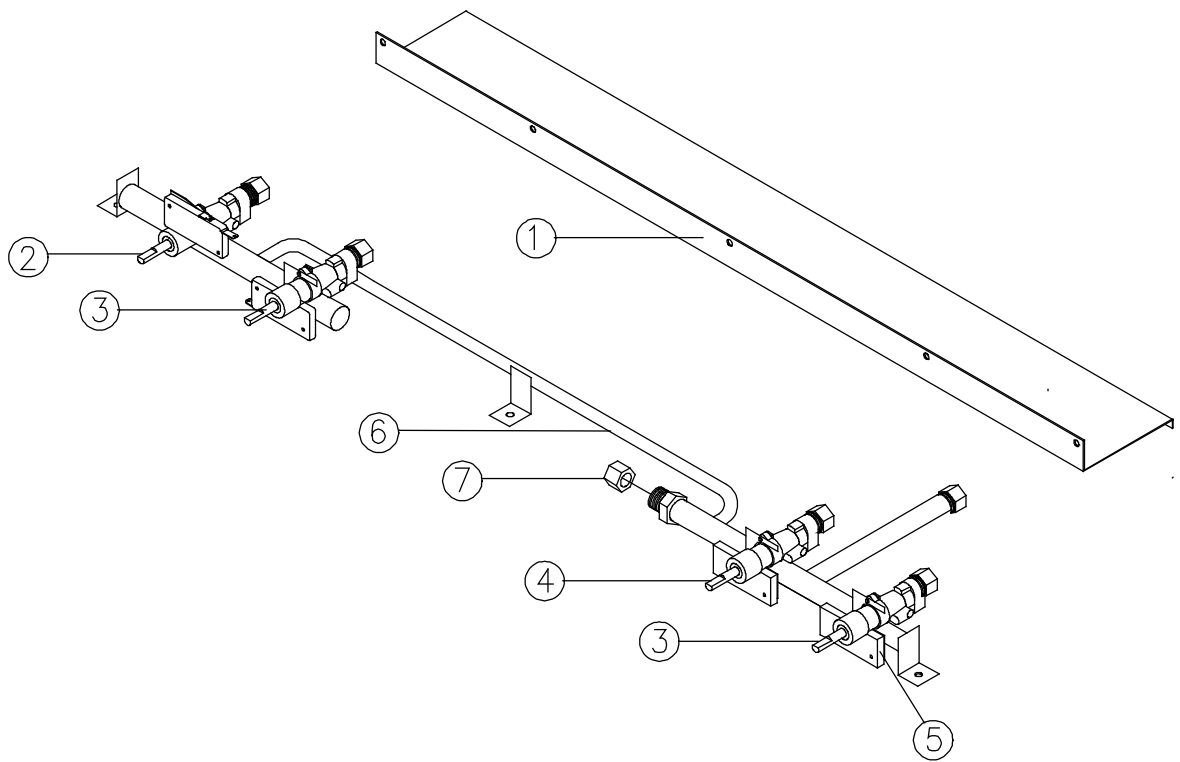
ERG30 Range Oven Components



1	OVEN RACK	62139	13	CONVECTION BAFFLE	36350BP
2	PORECELAIN GRILL	82106	14	SUPPORT RACK, RH	62748
3	BROILER PAN	82107	15	INFRARED BURNER	12422
4	OVEN CELL BOTTOM	26449BP	16	BRACKET IGNITOR	36166
5	REFLECTOR	26441	17	SHIELD CELL BOTTOM	36360
6	TUBULAR BURNER BRKT	26404	18	HOT SURFACE IGNITOR	82473
7	HOT SURFACE IGNITOR	82473	19	BRACKET IGNITOR MTG.	36286
8	2" TEMP. SENSOR	62593	20	IGNITOR SHIELD WIRES	36391BP
9	HEAT SHIELD BAKE BURNER	36445	21	VENTURI SHIELD	36320BP
10	BRKT CELL BOTTOM	26536	22	FAN BLADE	82651
11	TUBULAR BURNER	82431	23	SHIELD IGNITOR MTG BRKT	36285BP
12	CONVECTION FILTER	82891	24	SUPPORT RACK, RH	62747

Part no longer available? Contact Dacor: (800) 793-0093 ex. 3814

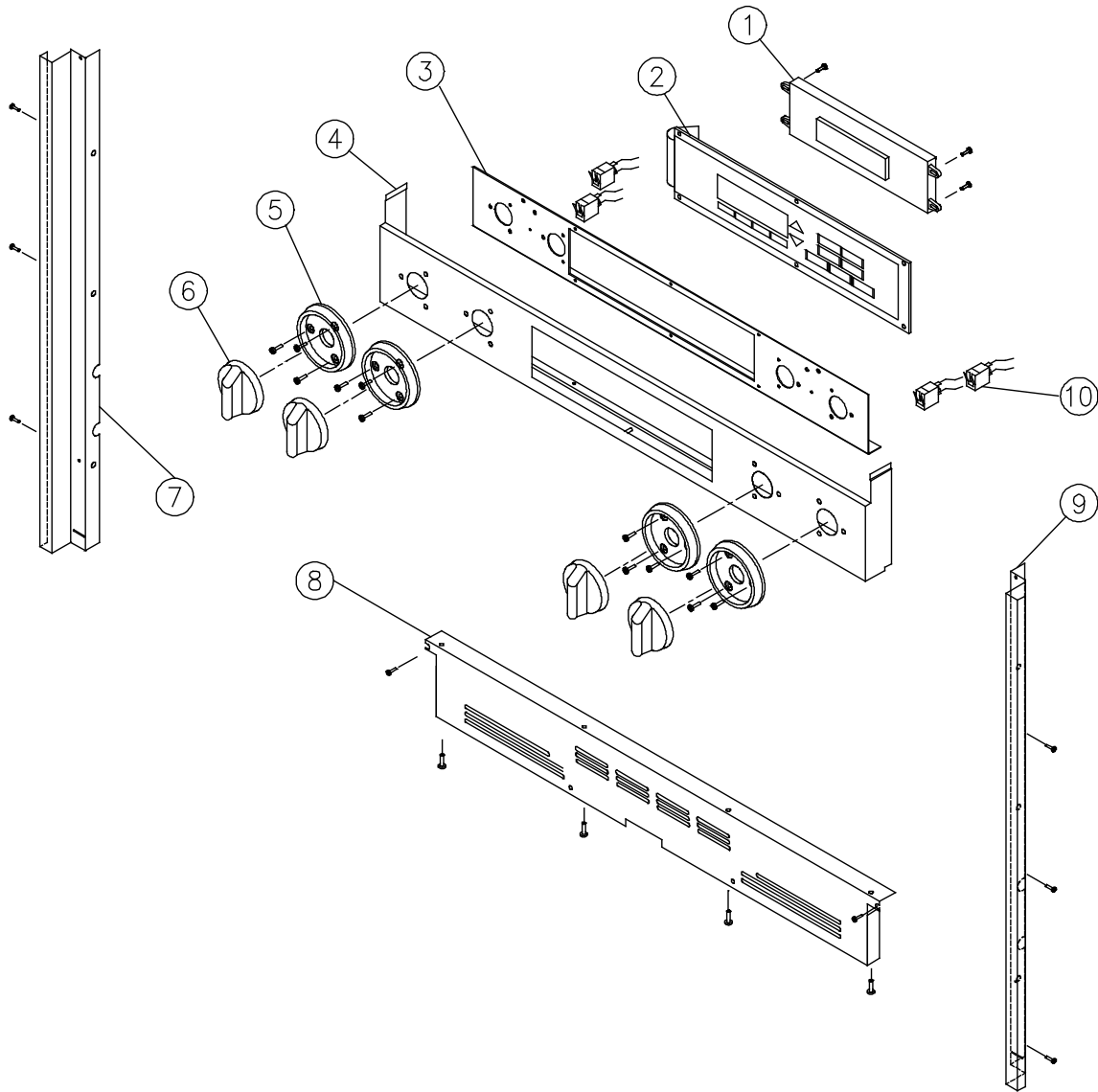
ERG30 Range Manifold Assembly



Ref#	Description	Part #	Ref#	Description	Part #
1	Manifold Heat Shield	36147	4	D Valve W/Bypass Jets NG/SL	86963
2	D Valve W/Bypass Jets NG/SL	86961	*	D Valve W/Bypass Jets NG/HA	86967
*	D Valve W/Bypass Jets NG/HA	86965	*	D Valve W/Bypass Jets LP/SL	86559
*	D Valve W/Bypass Jets LP/SL	86558	*	D Valve W/Bypass Jets LP/HA	86565
*	D Valve W/Bypass Jets LP/HA	86564	5	Microswitch	86425
3	D Valve W/Bypass Jets NG/SL	86962	6	Manifold Assy NG/SL	62671
*	D Valve W/Bypass Jets NG/HA	86966	*	Manifold Assy NG/HA	62672
*	D Valve W/Bypass Jets LP/SL	86560	*	Manifold Assy LP/SL	62497
*	D Valve W/Bypass Jets LP/HA	86566	*	Manifold Assy LP/HA	62495
			7	Cap, 3/8"	62058

Part no longer available? Contact Dacor: (800) 793-0093 ex. 3814

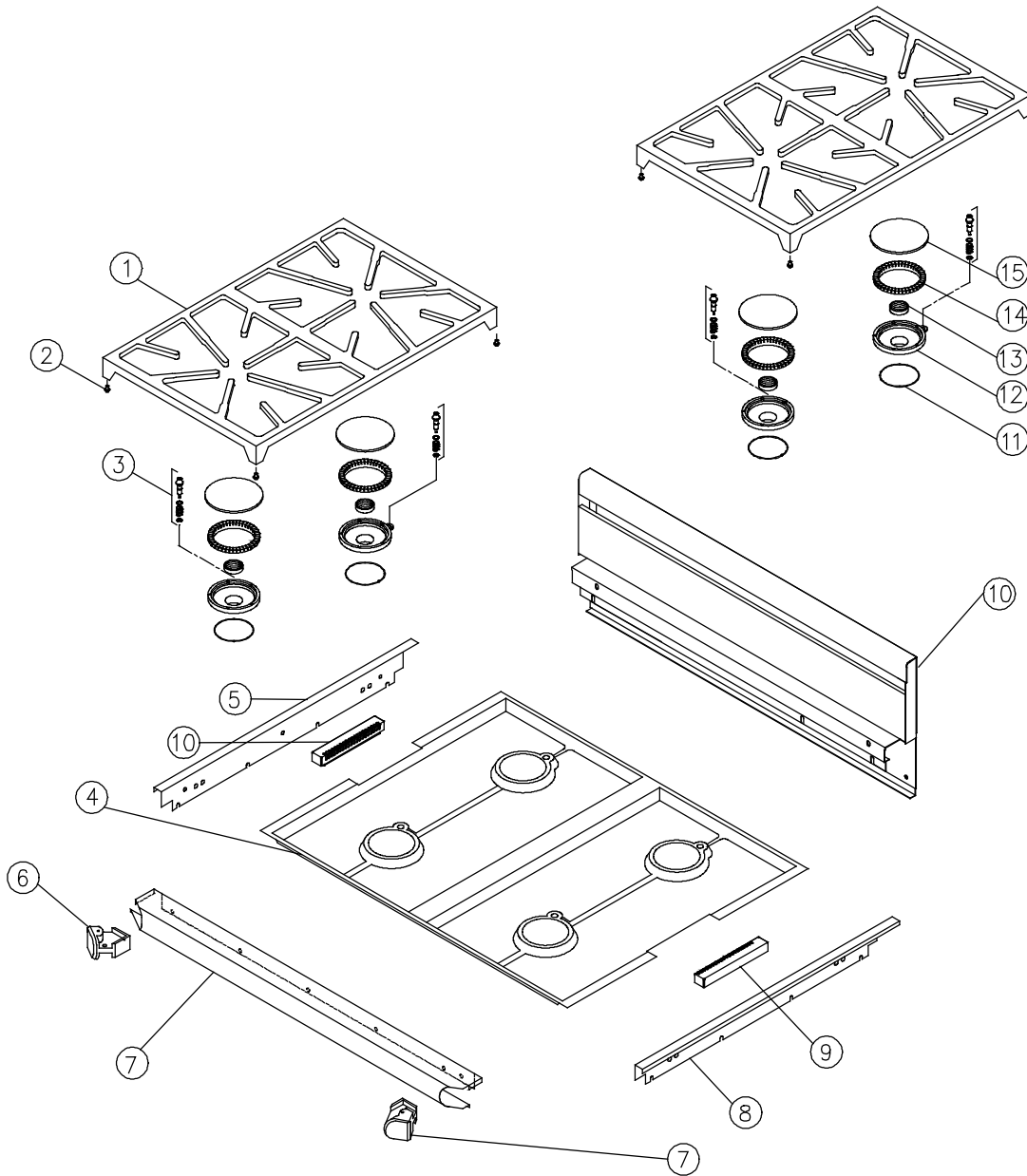
ERG30 Range Bezel Assembly



1	OVEN CONTROL	62833	6	KNOB, EPICURE	62021B
2	MEMBRANE	62802	7	TRIM POST, LH	26798
3	SUB PANEL	36266	8	BEZEL TRIM	36257
4	CONTROL PANEL	26790E	9	TRIM POST, RH	26799
5	TRIM RING	62020BR,CP	10	INDICATOR LIGHT	62036

Part no longer available? Contact Dacor: (800) 793-0093 ex. 3814

ERG30 Range Top Frame Assembly



1	GRATE	62737BM	9	VENT CAP	36479BP
2	GRATE SUPPORT PAD	86474	10	6" BACKSPLASH	13468
3	IGNITOR ASY.	66281	11	O-RING	86395
4	SPILL TRAY	36244BP	12	BURNER HEAD	62953
5	GRATE SUPPORT	36379	13	BRASS NUT	86405
6	END CAP	62712BK,CH,BR,CP	14	BURNER RING	62934
7	BULLNOSE	26792*	15	BURNER CAP	62022BM
8	TRIM SIDE TOP RH	26791			

* For units produced after serial number KB01000000:

Units without grate supports use part number 13434SBK, SBR, SCH, SCP

Units with grate supports use part number 86908SBK, SBR, SCH, SCP