

The Dacor logo is rendered in a bold, italicized, sans-serif font with a metallic, 3D effect. The letters are dark with a lighter, reflective highlight on the top and left sides, giving it a sleek, modern appearance. A registered trademark symbol (®) is located at the end of the word.

dacor®

The Life of the Kitchen.®

A faded background image of a kitchen featuring a Dacor outdoor side burner. The burner is a stainless steel unit with a control panel on the left side and a burner on the right. A white bowl is placed on the burner. The kitchen counter and cabinets are visible in the background.

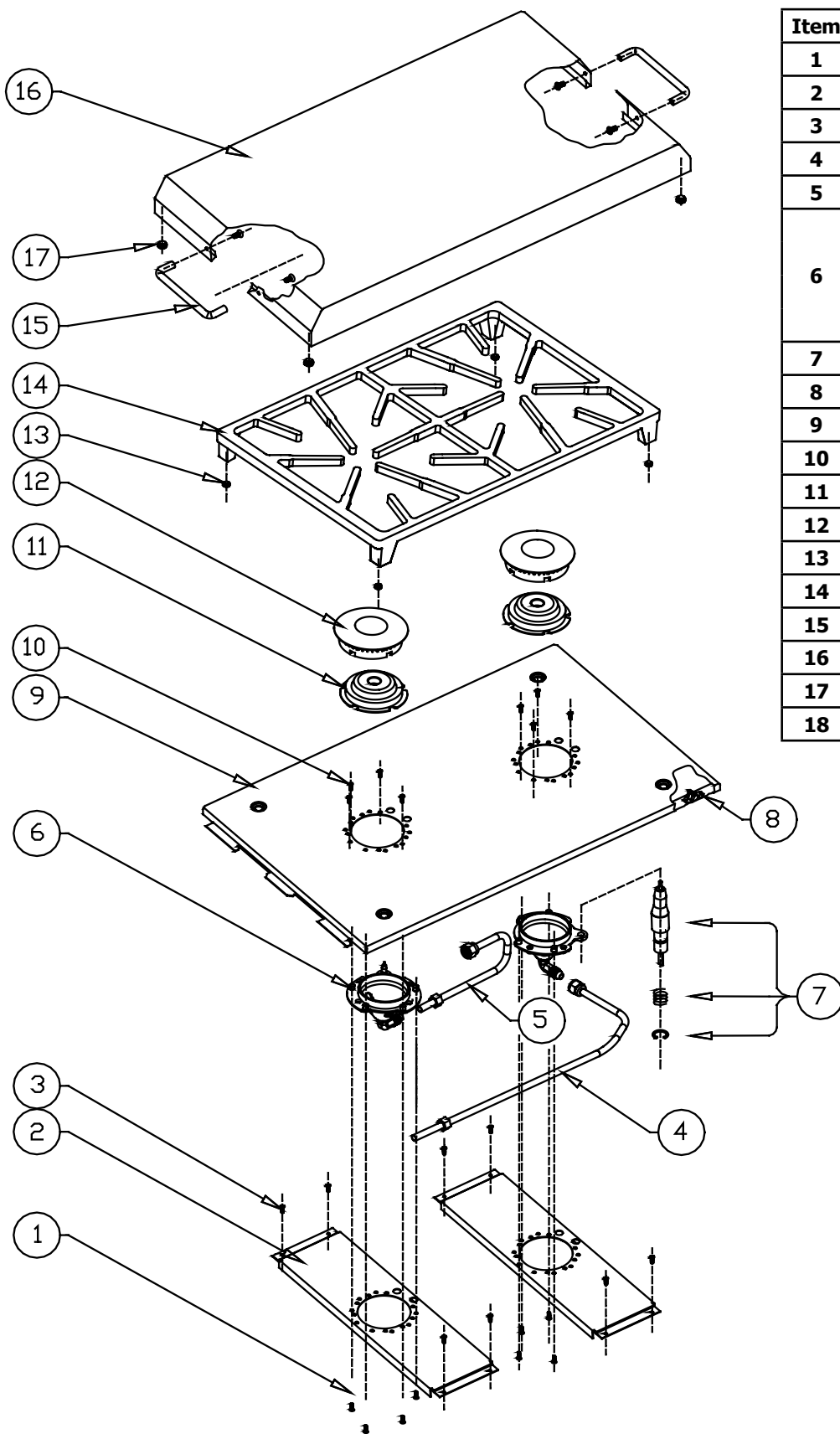
PARTS CATALOG

EOSB162 Outdoor Side Burner

Page #	Description
2	Top Section
3	Chassis Assembly

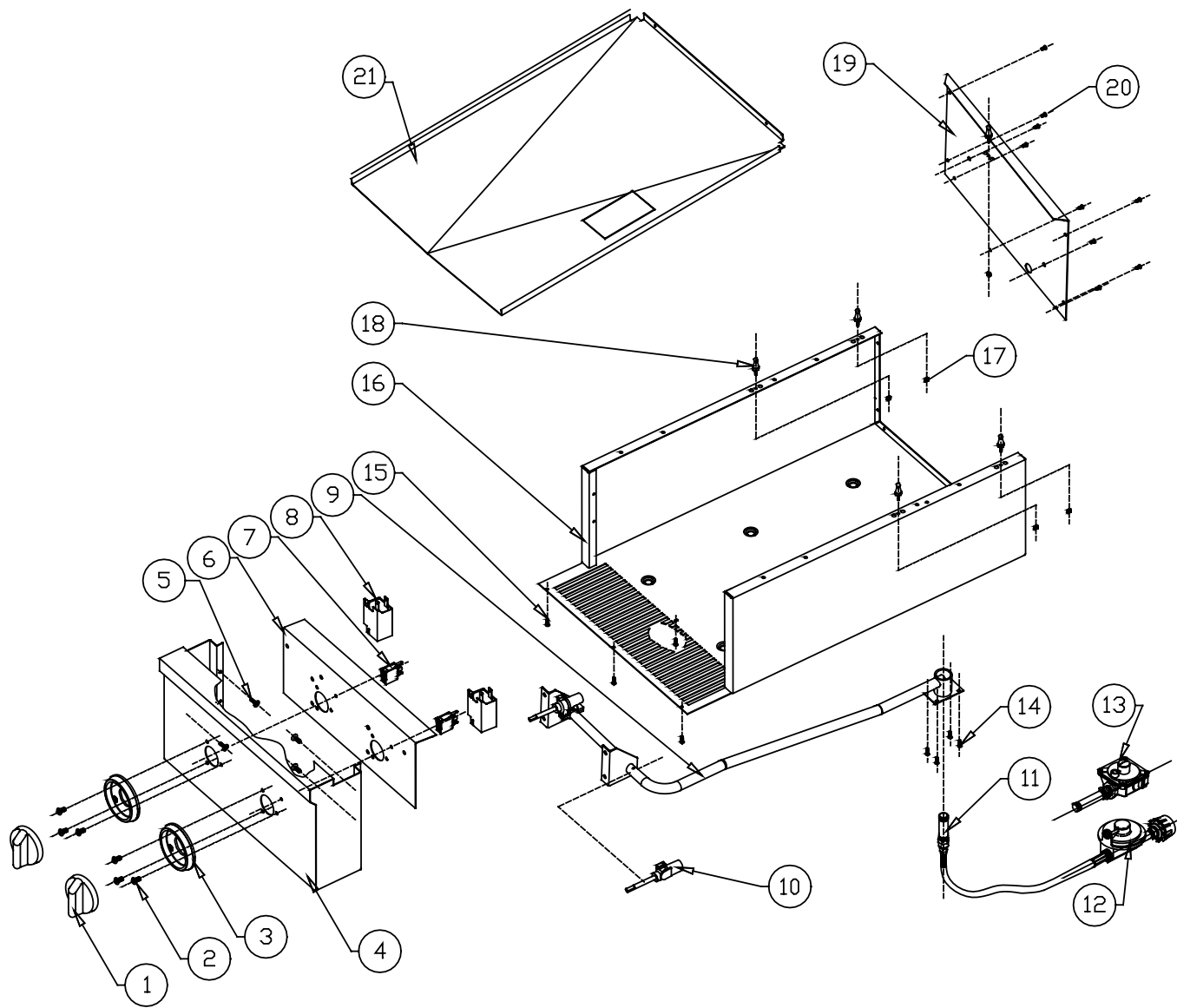
Revised 05-06-2013

EOSB162 Side Burner Top Section



Item	Part #	Description
1	83483	Screw, 6 - 32 x 5/8
2	36927	Burner Support
3	83619	Screw, wafer head #8 x 3/8
4	72636	Rear Burner Tube Assy
5	72635	Front Burner Tube Assy
6	72649NGSL	Burner Base Assy (Yellow)
	72649NGHA	Burner Base Assy (Blue)
	72649LPSL	Burner Base Assy (Red)
	72649LPHA	Burner Base Assy (Rose)
7	72386	Electrode/Sensor Assy
8	83540	Ball Stud Catch
9	36925	Spill Tray
10	83483	Screw, 6-32 x 5/8
11	72232	Burner Head
12	72231	Burner Cap
13	86474	Grate Support Pads
14	72436SB	Grate Pack 14"
15	72360	Handle, Grease Tray
16	38278	Cover, Side Burner
17	72165	Rubber Bumper, Hi Temp
18	72638	Wire Harness (not shown)

EOSB162 Side Burner Chassis



Item	Part #	Description
1	62021B	Knob
2	83571	Screw, Washer HD #8 x 3/8
3	62020C	Chrome Trim Ring
4	27824	Control Panel Weld
5	83619	Screw, Wafer HD #8 x 3/8
6	36926	Sub Panel
7	82086	Indicator Light, Blue Neon
8	72634	Gas Re-Igniter
9	72637LPHA	Manifold Assy (rose)
	72637LPSL	Manifold Assy (red)
	72637NGHA	Manifold Assy (blue)
	72637NGSL	Manifold Assy (yellow)
10	66573LP	Valve (SL/HA)
	66573NG	Valve (SL/HA)

Item	Part #	Description
11	72301	Nipple 3/4 x 3
12	72310	11" WC LP Gas Regulator (20 lb tank)
13	72601	11" WC LP Gas Regulator (Service)
	72596	4" WC NG Regulator
14	83619	Screw, WFR HD #8 x 3/8" SS
15	83619	Screw, WFR HD #8 x 3/8" SS
16	36924	Chassis Sides
17	83048	Hex, Kept Nut, #8 x 32
18	83539	Ball Stud, Trim Pad
19	36929	Rear Panel
20	83619	Screw, WFR HD #8 x 3/8" SS
21	36928	Water Deflector