

The Dacor logo is rendered in a bold, italicized, sans-serif font with a metallic, 3D effect. The letters are dark with a lighter, reflective highlight on the top and left sides, giving it a sleek, modern appearance. A registered trademark symbol (®) is located at the end of the word.

# **dacor**®

The Life of the Kitchen.®

A faded background image of a Dacor outdoor grill. The grill is stainless steel with a control panel on the left side. On the cooking surface, there is a white bowl and a large silver pot. The grill is set on a wooden deck with a kitchen counter and various items like a bowl of fruit and a coffee maker in the background.

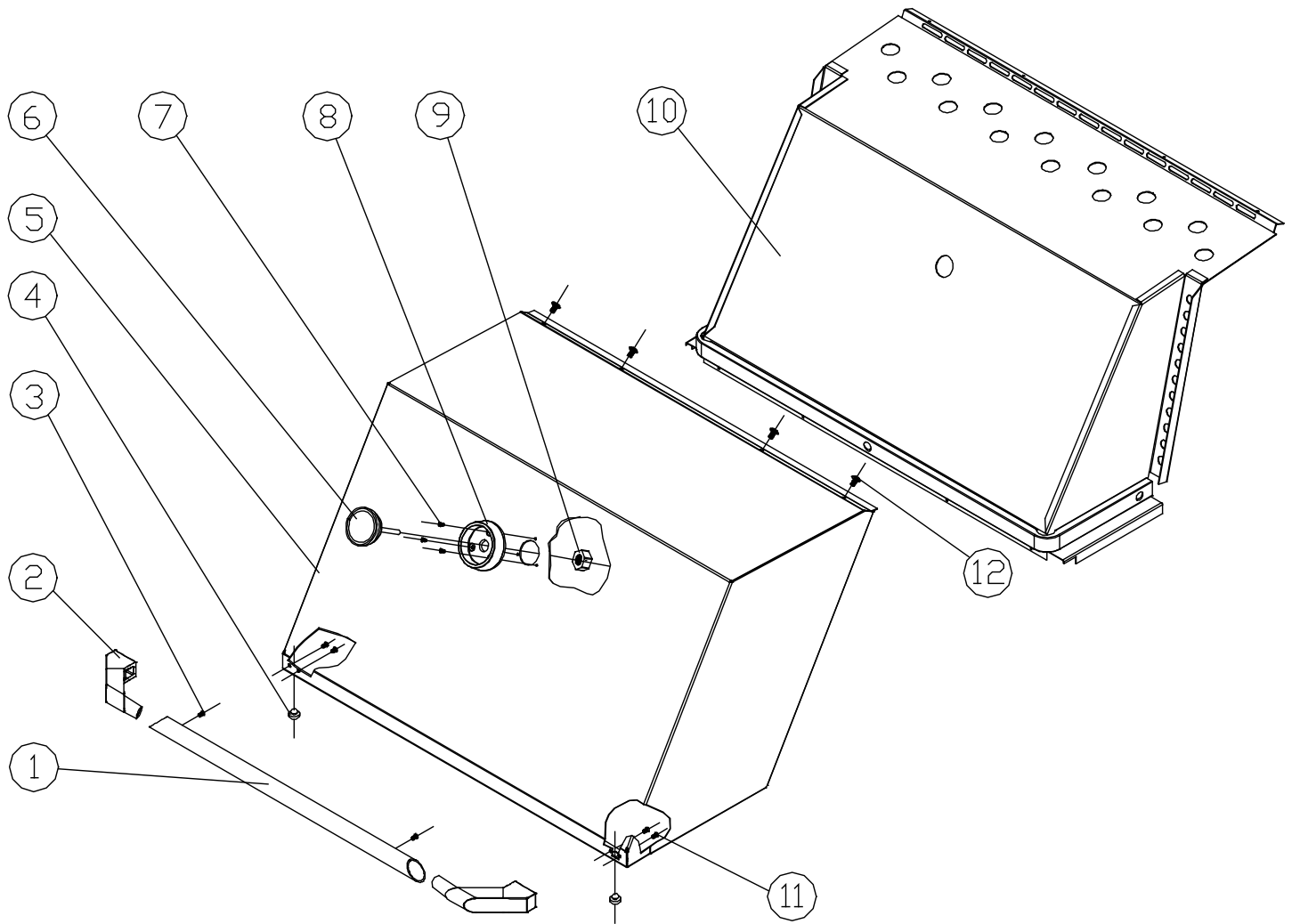
## **PARTS CATALOG**

### **EOG303 Outdoor Grill**

<b>Page #</b>	<b>Description</b>
<b>2</b>	<b>Canopy Assembly</b>
<b>3</b>	<b>Chassis Assembly</b>
<b>4</b>	<b>Firebox Components</b>
<b>5</b>	<b>Control Panel Assembly</b>

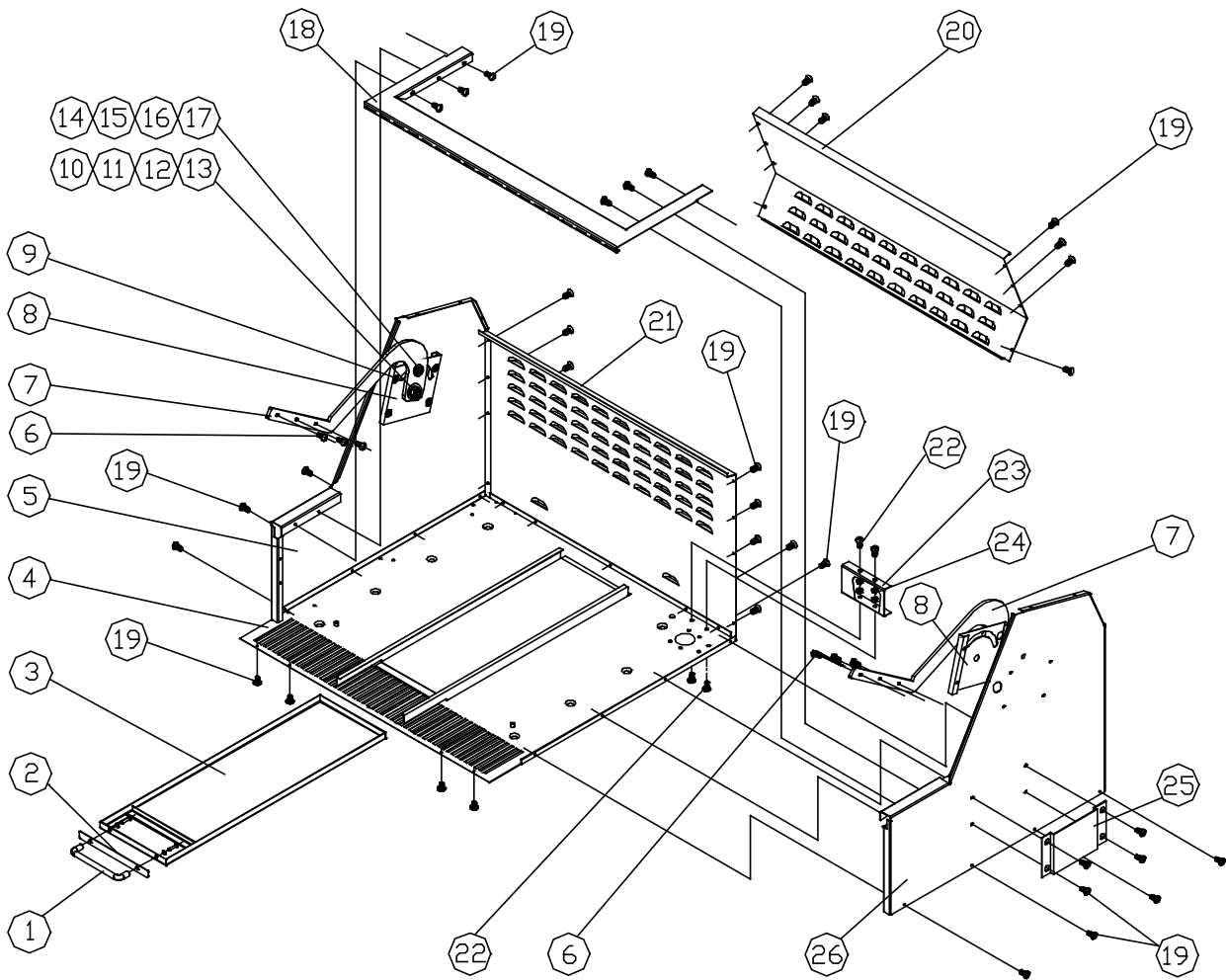
Revised 06-22-2012

# EOG303 Outdoor Grill Canopy Assembly



Item	Part #	Description
<b>1</b>	13617	HANDLE (includes both end caps)
<b>2</b>	72178	END CAP, HANDLE
<b>3</b>	83480	SCREW, PHIL, FLAT HEAD, #4-40 X 1/4
<b>4</b>	72165	RUBBER BUMPER, HI-TEMP
<b>5</b>	27823	CANOPY
<b>6</b>	72686	TEMPERATURE GAUGE
<b>7</b>	83263	SCREW WASHER HEAD, #8 X 3/8
<b>8</b>	72184	TEMPERATURE GAUGE TRIM RING
<b>9</b>	83473	LOCK NUT, 1/4 NPT, S.S.
<b>10</b>	27826	CANOPY LINER
<b>11</b>	83408	SCREW, PHIL PAN, #8-32 X 3/4
<b>12</b>	83619	SCREW, WAFER HEAD, #8 X 3/8 S.S.

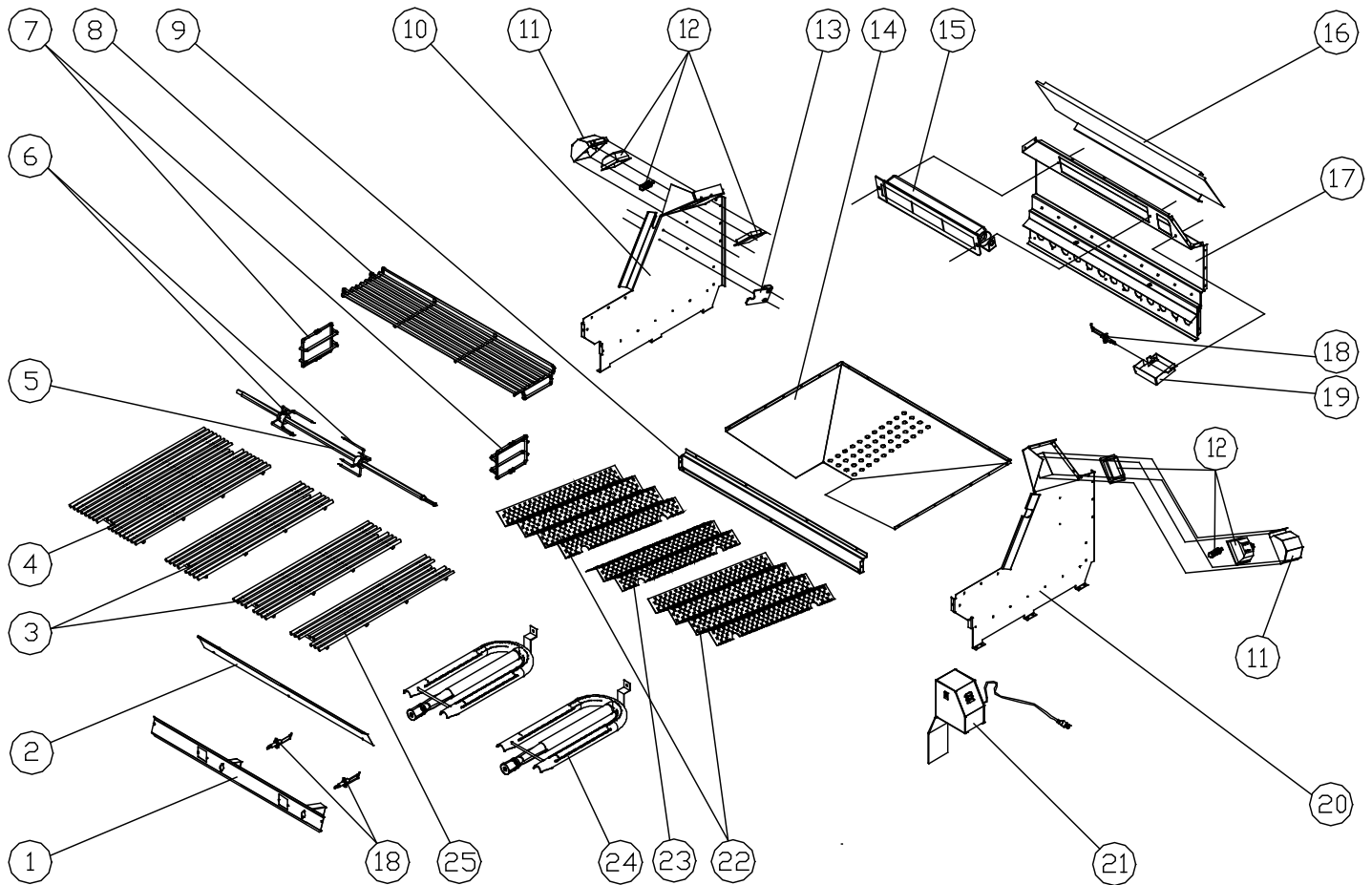
# EOG303 Outdoor Grill Chassis Assembly



Item	Part #	Description
1	72360	HANDLE, GREASE TRAY (includes 2 screws)
2	36626	GREASE TRAY FACIA
3	38420	GREASE TRAY
4	38413	BOTTOM PANEL
5	36809	SIDE PANEL, LH
6	102365	SCREW, TRUSS HEAD, S.S.
7	72158	CANOPY ARM
8	36674	HINGE BRACKET
9	83009	NUT, KEPS, #10-24
10	83459	HINGE PIVOT, 3/8-16
11	83477	HEX NUT, S.S., 3/8-16 X 9/16
12	83475	SPLIT 3/8 LOCK WASHER
13	83485	1/2 WASHER, FLAT, 17/32 ID., S.S.
14	83462	SHOULDER BOLT HINGE GUIDE

Item	Part #	Description
15	83476	HEX NUT, S.S., 1/4-20 X 7/16 X 3/16
16	83474	SPLIT 1/4 LOCK WASHER
17	83484	3/8 WASHER, FLAT, 13/32., S.S.
18	36934	FRONT TRIM
19	83619	SCREW, WAFER HEAD, #8 X 3/8 S.S.
20	36940	SERVICE PANEL
21	36945	CHASSIS REAR
22	83408	SCREW, PHIL PAN, #8-32 X 3/4
23	36365	BRACKET TERMINAL BLOCK
24	83048	NUT, HEX.KEPS, #8-32
25	36675	ROTISSERIE POCKET
26	36810	SIDE PANEL, RH
-	72265	POWER CORD (not shown)

# EOG303 Outdoor Grill Firebox Components



Item	Part #	Description
<b>1</b>	27834	IGNITER SUPPORT
<b>2</b>	36942	ACCESS PANEL, FIREBOX
<b>3</b>	72177	GRILL, 5-1/2", S.S.
<b>4</b>	72157	GRILL, 11", S.S.
<b>5</b>	72644	SPIT ROD
<b>6</b>	AGFS	SPIT ROD FORK
<b>7</b>	72185	WARMING RACK SUPPORT
<b>8</b>	72643	WARMING RACK
<b>9</b>	36938	FRONT FRAME
<b>10</b>	36650	FIREBOX SIDE, LH
<b>11</b>	36676	FIREBOX LAMP HOUSING
<b>12</b>	62175 <sup>1</sup>	LIGHT ASSEMBLY <sup>1</sup>
<b>13</b>	36657	ROTISSERIE SPIT BRACKET

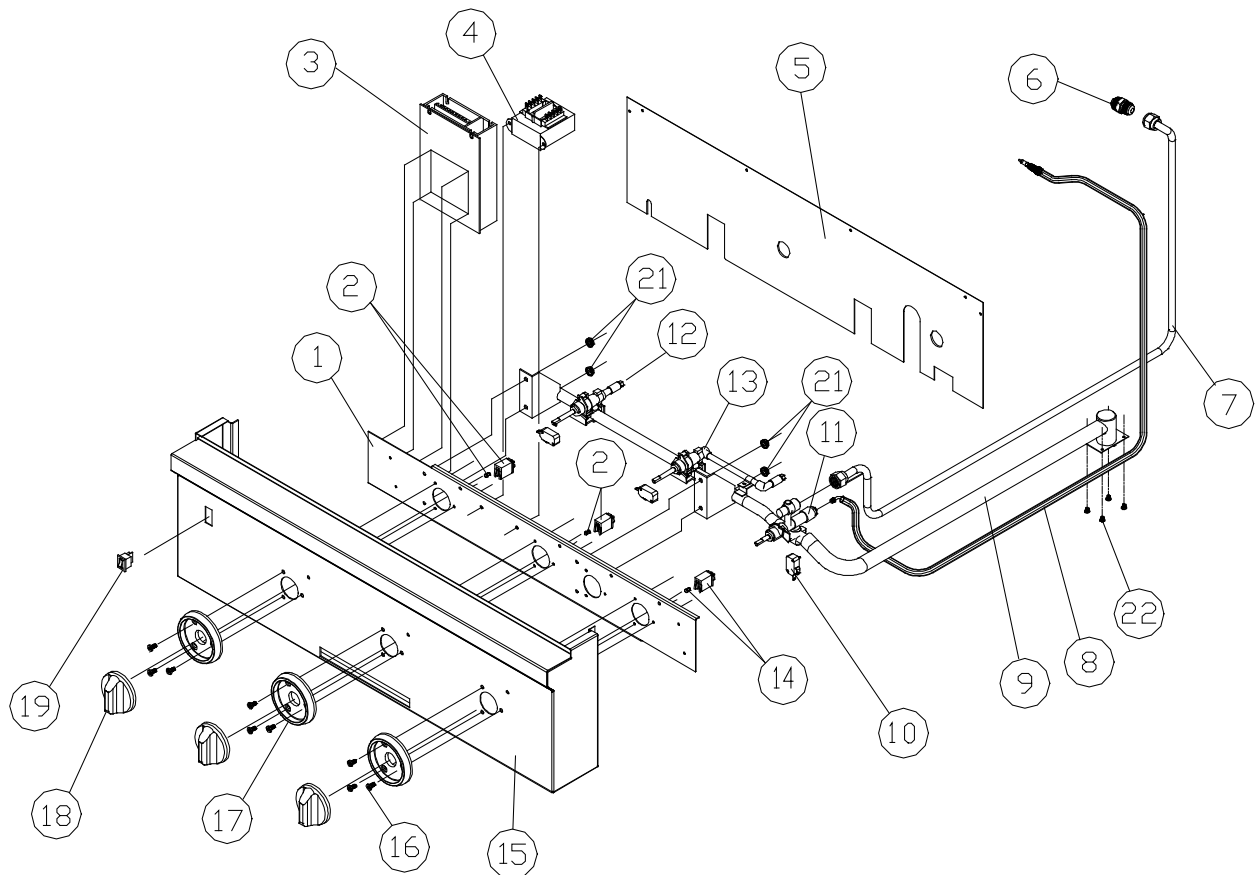
Item	Part #	Description
<b>14</b>	27829 <sup>2</sup>	FIREBOX BOTTOM <sup>2</sup>
<b>15</b>	72647	INFRARED BURNER
<b>16</b>	36971BP	FIREBOX TOP
<b>17</b>	38415 <sup>3</sup>	FIREBOX BACK <sup>3</sup>
<b>18</b>	72164	SPARK ELECTRODE
<b>19</b>	27652	IR BROILER IGNITER BOX
<b>20</b>	36630	FIREBOX SIDE, RH
<b>21</b>	13652	ROTISSERIE MOTOR ASSY.
<b>22</b>	36628	FLAME SPREADER, LARGE
<b>23</b>	36661	FLAME SPREADER, SMALL
<b>24</b>	72153	U-BURNER, BBQ GRILL
<b>25</b>	72648	GRILL, 4 7/8" S.S.

<sup>1</sup>Includes the lens and light bulb. To order lens separately, order PN 92376. To order light bulb separately, order PN 86573.

<sup>2</sup>Order PN 27916 for units with a revision level of E and higher.

<sup>3</sup>Order PN 38555 for units with a revision level of E and higher.

# EOG303 Control Panel Assembly



Item	Part #	Description
1	36941	CONTROL SUB-PANEL
2	82086	INDICATOR LIGHT (BLUE) WITH LENS
3	86526	SPARK MODULE, 4 POINT
4	62057 <sup>1</sup>	TRANSFORMER <sup>1</sup>
5	36939	CONTROL PLENUM
6	72662xxxx <sup>2</sup>	I.R. JET <sup>2</sup>
7	72179	INFRARED GAS TUBING, 3/8"
8	72176	I.R. BROILER THERMOCOUPLE
9	72641xxxx <sup>2</sup>	MANIFOLD <sup>2</sup>
10	86576	IGNITION SWITCH ASSY
11	66557xxxx <sup>2</sup>	IR MANUAL VALVE <sup>2</sup>
12	66561xxxx <sup>2</sup>	LEFT MANUAL VALVE <sup>2</sup>
13	66936xxxx <sup>2</sup>	CENTER MANUAL VALVE
14	82343	INDICATOR LIGHT (RED) WITH LENS

Item	Part #	Description
15	27831E	CONTROL PANEL
16	83263	SCREW, WAFER HEAD
17	100122CH	TRIM RING
18	62021B	KNOB
19	72169	LIGHT SWITCH
20	72645 <sup>3</sup>	WIRE HARNESS (not shown) <sup>3</sup>
21	83009	#10-24 HEX NUTS, KEPS
22	83619	SCREW, WFR. HD, #8 X 3/8 S.S.
23	72596	ASSY, REGULATOR, 4", NG (not shown)
	72310	ASSY, REGULATOR, 11", LP-TANK (not shown)
	72601	ASSY, REGULATOR, 11", LP-HARD PIPE (not shown)
24	106467	IGNITER WIRE SET (not shown)

<sup>1</sup>Order PN 62808 for units with a revision level of D and higher.

<sup>2</sup>Last 4 characters of part number (xxxx) define gas type and altitude:

LPSL = LP gas, sea level (rose)  
 LPHA = LP gas, high altitude (red)  
 NGSL = Natural gas, sea level (yellow)  
 NGHHA = Natural gas, high altitude (blue)

<sup>3</sup>Order PN 92111 for units with a revision level of D and higher.