

# **dacor**<sup>®</sup>

The Life of the Kitchen.<sup>®</sup>

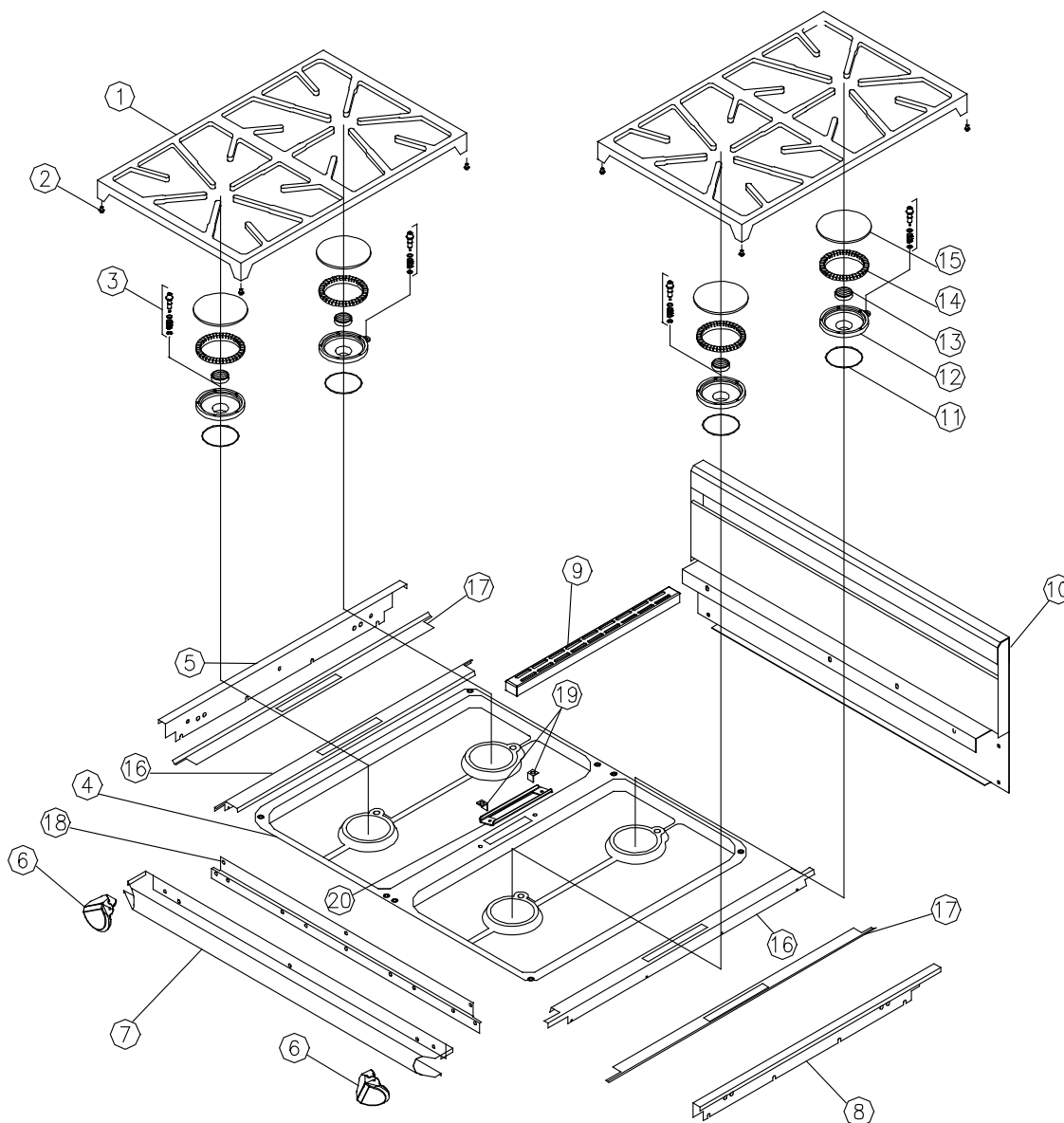
## **PARTS CATALOG**

### **EGR Range**

| <b>Page</b> | <b>Description</b>            |
|-------------|-------------------------------|
| <b>2</b>    | <b>Top Frame Assembly</b>     |
| <b>3</b>    | <b>Manifold Assembly</b>      |
| <b>4</b>    | <b>Top Section</b>            |
| <b>5</b>    | <b>Sub-Chassis</b>            |
| <b>6</b>    | <b>Oven Cell Assembly</b>     |
| <b>7</b>    | <b>Oven Components</b>        |
| <b>8</b>    | <b>Base Assembly</b>          |
| <b>9</b>    | <b>Control Panel Assembly</b> |
| <b>10</b>   | <b>Door Assembly</b>          |

Revised 05-30-2013

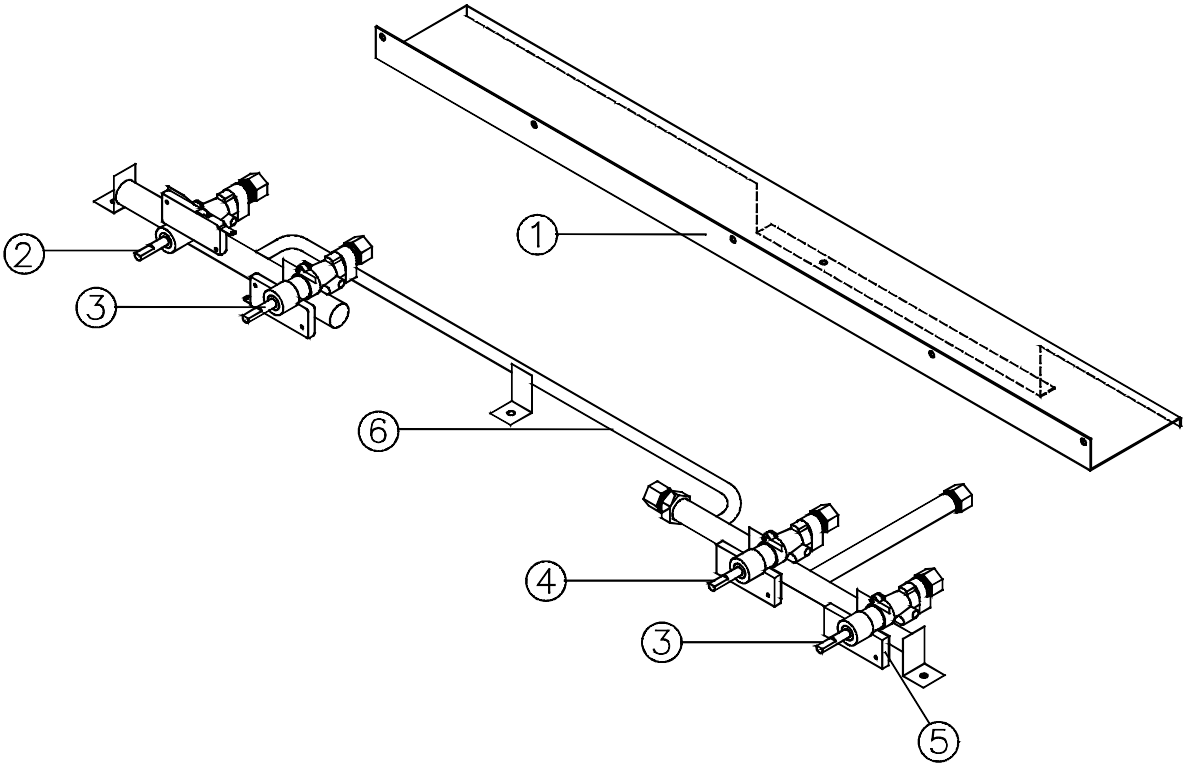
# EGR Range Top Frame Assembly



| Item | Part      | Description        |
|------|-----------|--------------------|
| 1    | 72434SB   | Grate Pack 14 Inch |
| 2    | 66916     | DGrate Support Pad |
| 3    | 76482-001 | Igniter Assy       |
| 4    | 36896BP   | Spill Tray         |
| 5    | 26831     | Trim Side Top (LH) |
| 6    | 62712BK   | End Cap, Black     |
|      | 62712BR   | End Cap, Brass     |
|      | 62712CH   | End Cap, Chrome    |
|      | 62712CP   | End Cap, Copper    |
| 7    | 36530     | Bull Nose          |
| 8    | 26791     | Trim Side Top (RH) |

| Item | Part    | Description               |
|------|---------|---------------------------|
| 9    | 36895BP | Vent Cap                  |
| 10   | 13468   | Backsplash Assy           |
| 11   | 86395   | O-Ring                    |
| 12   | 62954   | Burner Head               |
| 13   | 86405   | Brass Nut                 |
| 14   | 82564   | Burner Ring Set (2 Rings) |
| 15   | 72434SB | Burner Cap                |
| 16   | 36245   | Spill Tray Supp (RH)      |
| 17   | 36528BP | Spill Tray Supp Angle     |
| 18   | 36529B  | Spill Tray Supp Front     |
| 19   | 26184   | Vent Duct Bracket         |
| 20   | 26594   | Trim Collar Vent Duct     |
| -    | 36426   | Island Trim (not shown)   |

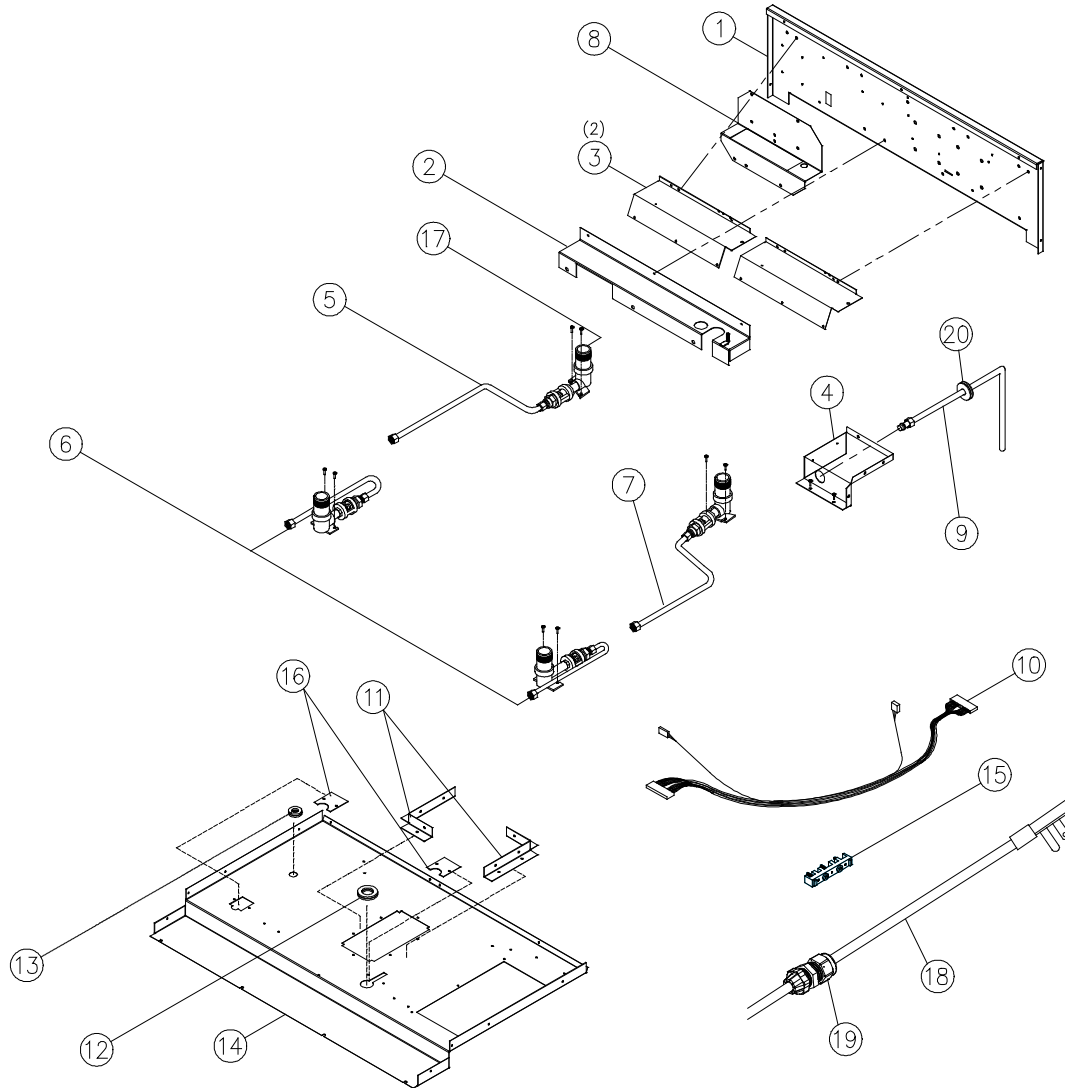
# EGR Range Manifold Assembly



| Item | Part  | Description          |
|------|-------|----------------------|
| 1    | 36147 | Manifold Heat Shield |
| 2    | 86961 | D Valve NG/SL        |
|      | 86965 | D Valve NG/HA        |
|      | 86558 | D Valve LP/SL        |
|      | 86564 | D Valve LP/HA        |
| 3    | 86962 | D Valve NG/SL        |
|      | 86966 | D Valve NG/HA        |
|      | 86560 | D Valve LP/SL        |
|      | 86566 | D Valve LP/HA        |

| Item | Part  | Description         |
|------|-------|---------------------|
| 4    | 86963 | D Valve NG/SL       |
|      | 86967 | D Valve NG/HA       |
|      | 86559 | D Valve LP/SL       |
|      | 86565 | D Valve LP/HA       |
| 5    | 86425 | Microswitch         |
| 6    | 62671 | Manifold Assy NG/SL |
|      | 62672 | Manifold Assy NG/HA |
|      | 62497 | Manifold Assy LP/SL |
|      | 62495 | Manifold Assy LP/HA |

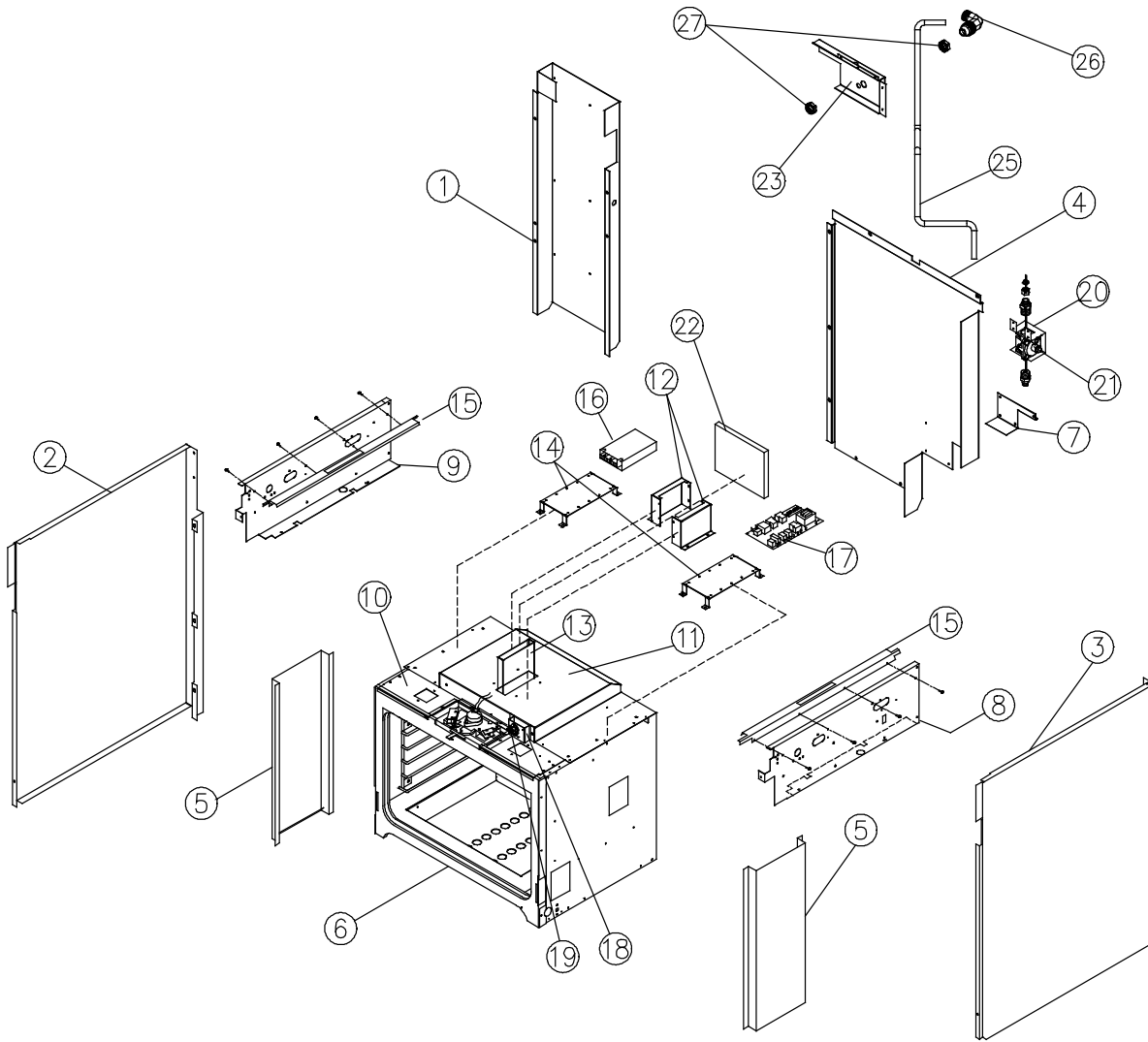
# EGR Range Top Section



| Item     | Part # | Description               |
|----------|--------|---------------------------|
| <b>1</b> | 36496  | Rear Panel                |
| <b>2</b> | 27646  | Air Baffle Assy           |
| <b>3</b> | 36415  | Chassis Box Cover         |
| <b>4</b> | 36474  | Chassis Box               |
| <b>5</b> | 62644  | Burner Tube, LR, NG       |
|          | 62415  | Burner Tube, LR, LP/SL    |
|          | 62673  | Burner Tube, LR, NG/HA    |
|          | 62423  | Burner Tube, LR, LP/HA    |
| <b>6</b> | 62645  | Burner Tube, Front, NG    |
|          | 62416  | Burner Tube, Front, LP/SL |
|          | 62674  | Burner Tube, Front, NG/HA |
|          | 62424  | Burner Tube, Front, LP/HA |
| <b>7</b> | 62646  | Burner Tube, RR, NG       |
|          | 62418  | Burner Tube, RR, LP       |
|          | 62675  | Burner Tube, RR, NG/HA    |
|          | 62424  | Burner Tube, RR, LP/HA    |

| Item      | Part # | Description           |
|-----------|--------|-----------------------|
| <b>8</b>  | 36921  | Cooling Fan Bkt       |
| <b>9</b>  | 72589  | Main Gas Inlet Tube   |
| <b>10</b> | 72585  | Harness Assy          |
| <b>11</b> | 36900  | Flue Duct Seal Bkt.   |
| <b>12</b> | 83058  | Grommet Seal          |
| <b>13</b> | 83278  | Igniter Wires Seal    |
| <b>14</b> | 36897  | Chassis               |
| <b>15</b> | 82151  | Terminal Block        |
| <b>16</b> | 36917  | Cover ERC Wires       |
| <b>17</b> | 62325  | Burner Base           |
| <b>18</b> | 72129  | Power Supply Cord     |
| <b>19</b> | 83141  | Strain Relief Bushing |
| <b>20</b> | 83058  | EPDM Rubber Grommet   |

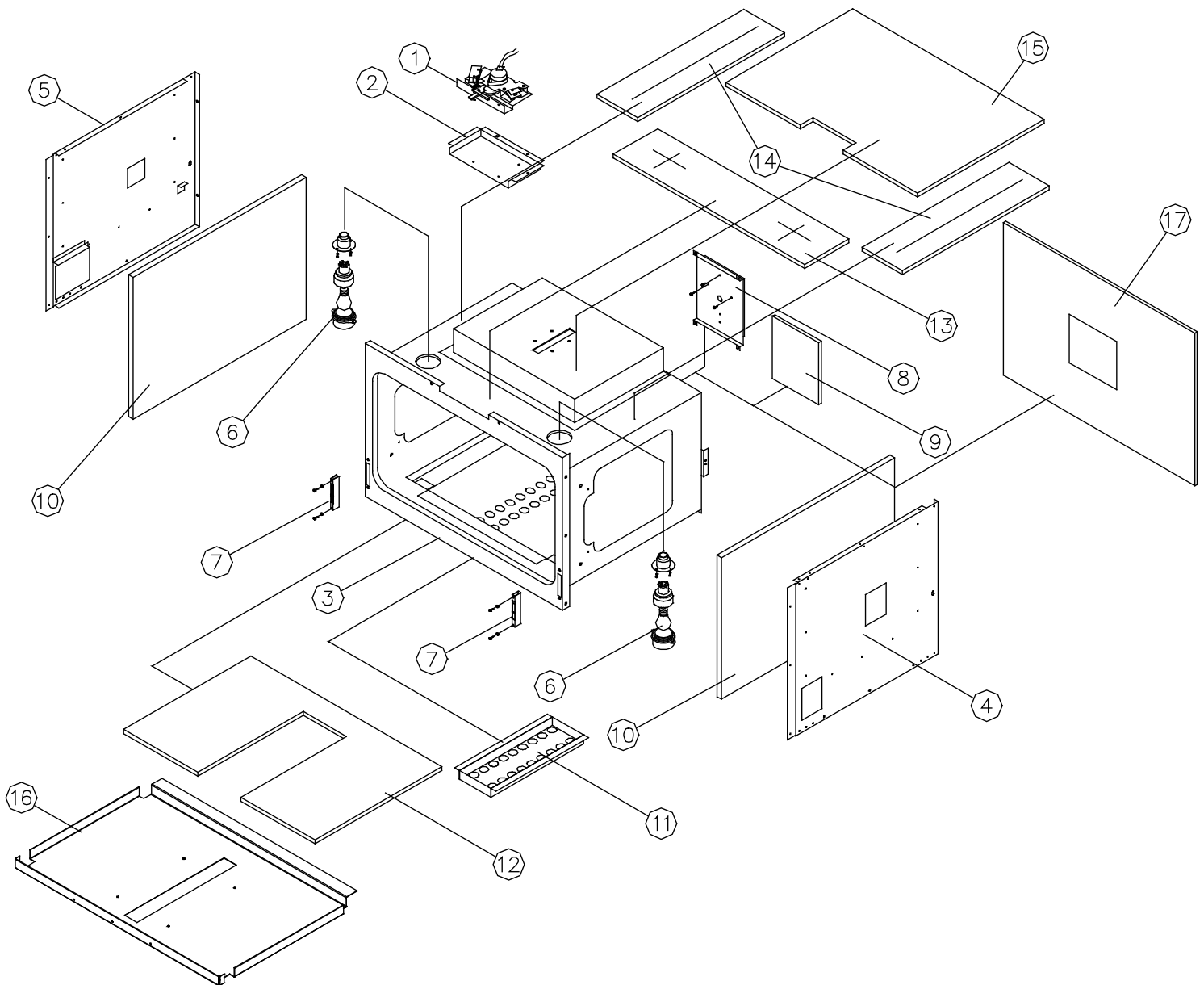
# EGR Range Sub-Chassis



| Item | Part #  | Description         |
|------|---------|---------------------|
| 1    | 36911   | Exhaust Duct Back   |
| 2    | 36906   | Side Panel LH       |
| 3    | 36905   | Side Panel RH       |
| 4    | 36907   | Back Cover          |
| 5    | 36255   | Halogen Light Cover |
| 6    | 27602BP | Oven Cell Assy      |
| 7    | 36922   | Back Cover Bkt      |
| 8    | 38182   | Side Supp (RH)      |
| 9    | 36504   | Side Supp LH        |
| 10   | 36903   | Case Top Front      |
| 11   | 36904   | Case Top Rear       |
| 12   | 36899   | Flue Duct Shield    |
| 13   | 27879   | Vent Duct           |

| Item | Part # | Description                  |
|------|--------|------------------------------|
| 14   | 36902  | Relay Board Supp             |
| 15   | 36245  | Spill Tray Side Supp         |
| 16   | 86526  | Spark Module                 |
| 17   | 92030  | Relay PCB                    |
| 18   | 36275  | Hi Limit Brkt                |
| 19   | 82987  | Hi Limit - auto reset        |
| 20   | 36916  | Regulator Brkt               |
| 21   | 62834  | Gas Regulator 3/4"           |
| 22   | 80179  | Insulation, Vent Riser       |
| 23   | 36540  | IR-Air Assistant Box         |
| 25   | 72588  | Broil Tube                   |
| 26   | 62718  | IR Orifice Fitting NG, NG-HA |
|      | 62719  | IR Orifice Fitting LP, LP-HA |
| 27   | 83440  | Locknut                      |
| -    | 82089  | Light Bulb (not shown)       |

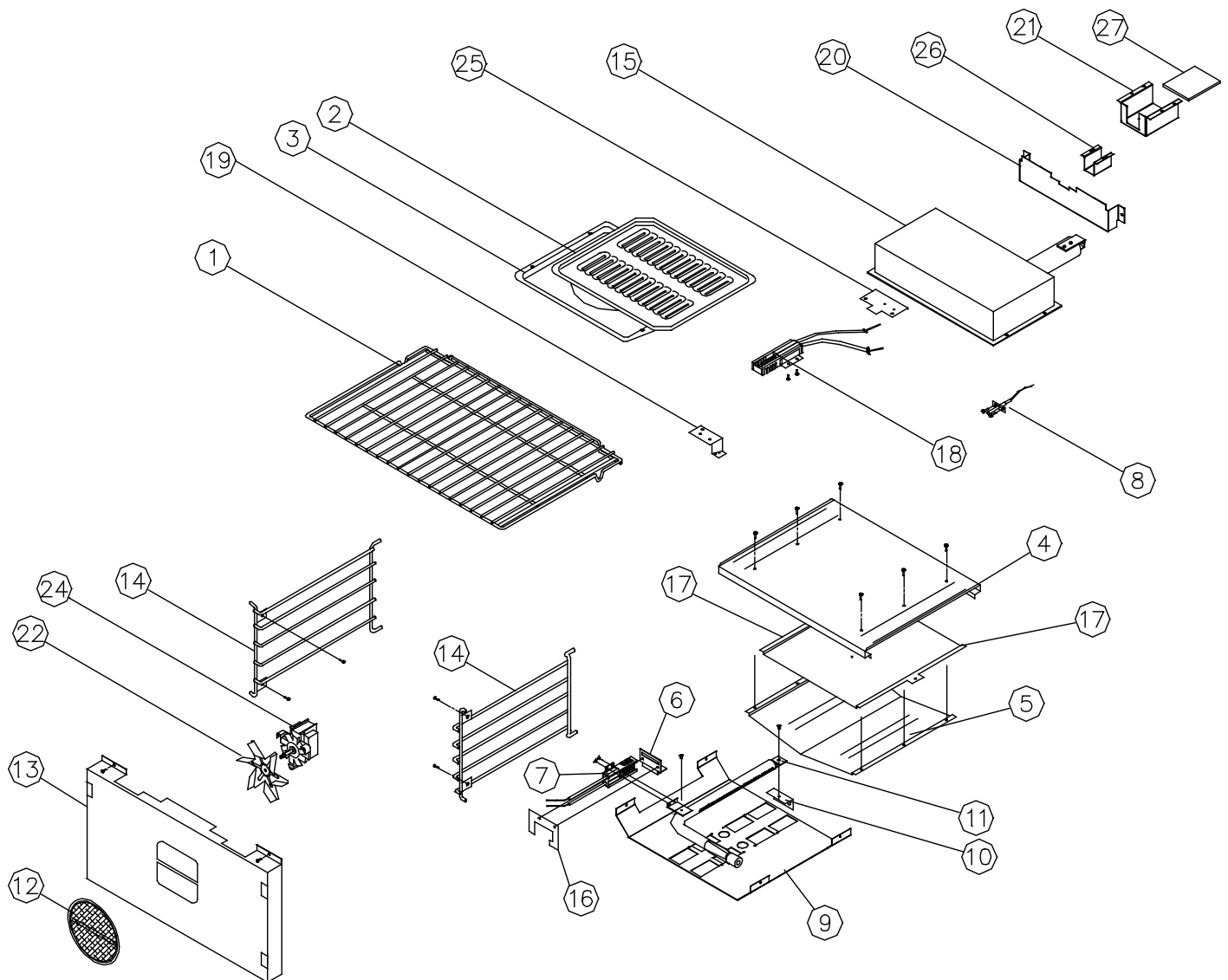
# EGR Range Oven Cell Assembly



| Item | Part #  | Description                |
|------|---------|----------------------------|
| 1    | 86166   | Door Latch Assy            |
| 2    | 26598   | Latch Plate                |
| 3    | 27602BP | Oven Cell Weld             |
| 4    | 27574   | Case Side Assy. (RH)       |
| 5    | 27575   | Case Side Assy. (LH)       |
| 6    | 701750  | Light Service Kit          |
| 7    | 82851   | Hinge Recepticle           |
| 8    | 36280   | Conv. Motor Mounting Plate |

| Item | Part # | Description                 |
|------|--------|-----------------------------|
| 9    | 80168  | Convection Motor Insulation |
| 10   | 80161  | Insulation Cell Side        |
| 11   | 26127  | Case Bottom Cover           |
| 12   | 80177  | Insulation Cell Bottom      |
| 13   | 80169  | Insulation Cell Top-1       |
| 14   | 80180  | Insulation Cell Top Side    |
| 15   | 80094  | Insulation Cell Top         |
| 16   | 26533  | Case Bottom                 |
| 17   | 80166  | Insulation Cell Back        |

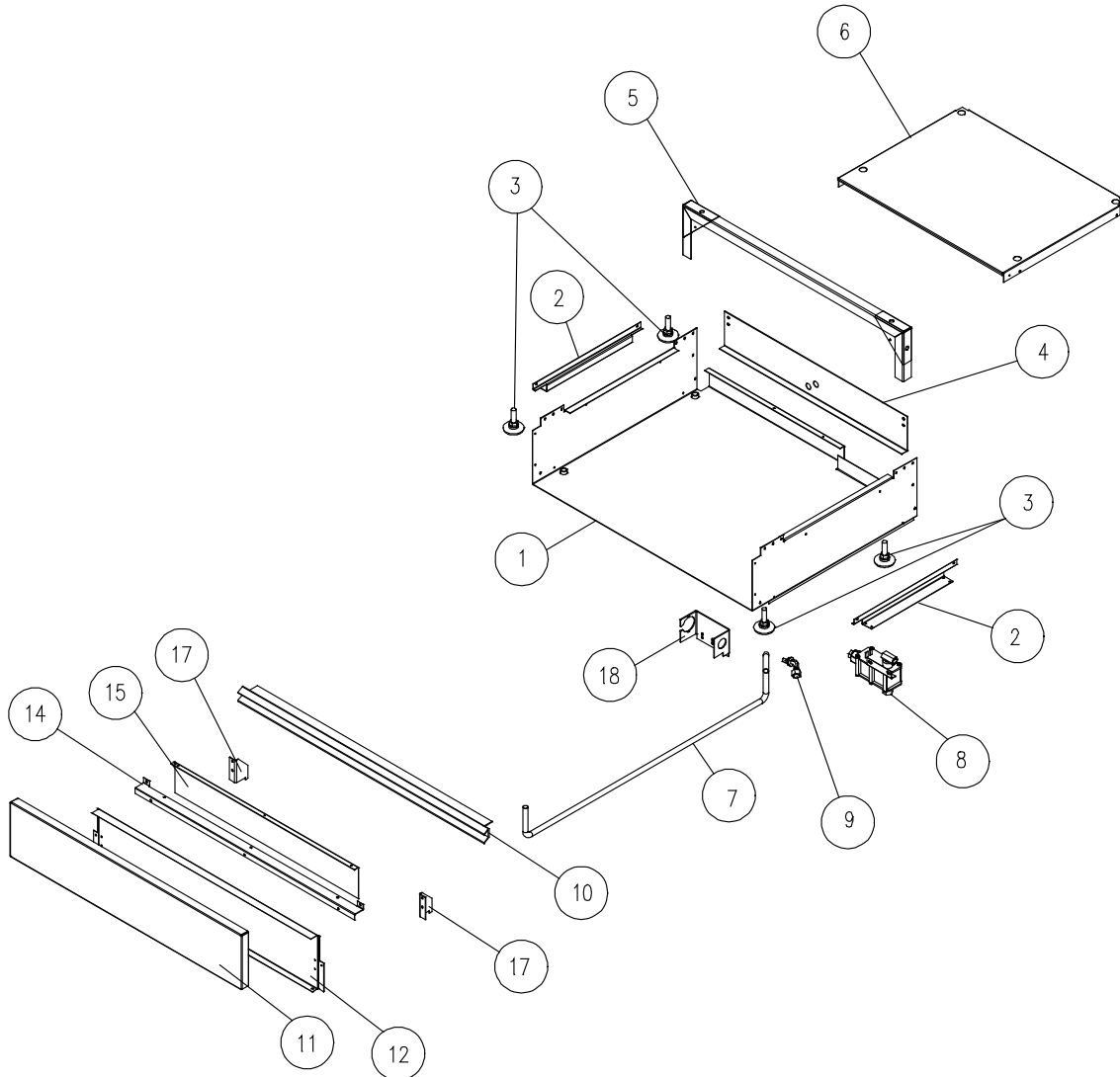
# EGR Range Oven Components



| Item | Part #  | Description           |
|------|---------|-----------------------|
| 1    | 62139   | Oven Rack             |
| 2    | 82106   | Porcelain Grill       |
| 3    | 82107   | Broiler Pan           |
| 4    | 26449BP | Oven Cell Bottom      |
| 5    | 26441   | Reflector Bake Burner |
| 6    | 26404   | Tubula Burner Bkt     |
| 7    | 82473   | Hot Surface Igniter   |
| 8    | 62593   | Temperature Sensor    |
| 9    | 36445   | Heat Shield Burner    |
| 10   | 26536   | Cell Bottom Bkt       |
| 11   | 82431   | Tubular Burner        |
| 12   | 82891   | Convection Filter     |
| 13   | 36951BP | Convection Baffle     |

| Item | Part #  | Description                 |
|------|---------|-----------------------------|
| 14   | 701099  | Rack Support                |
| 15   | 12422   | Infrared Burner             |
| 16   | 36166   | Igniter Bracket             |
| 17   | 36360   | Shield Cell Bottom          |
| 18   | 82473   | Hot Surface Igniter         |
| 19   | 36286   | Igniter Mounting Kit        |
| 20   | 36539BP | Convection Baffle Top       |
| 21   | 36320BP | Venturi Shield              |
| 22   | 82651   | Fan Blade, Convection Motor |
| 24   | 82647   | Convection Oven Motor       |
| 25   | 36285BP | Igniter Mounting Shield     |
| 26   | 36391BP | Igniter Wires Shield        |
| 27   | 80095   | Insulation Venturi          |

# EGR Range Base Assembly

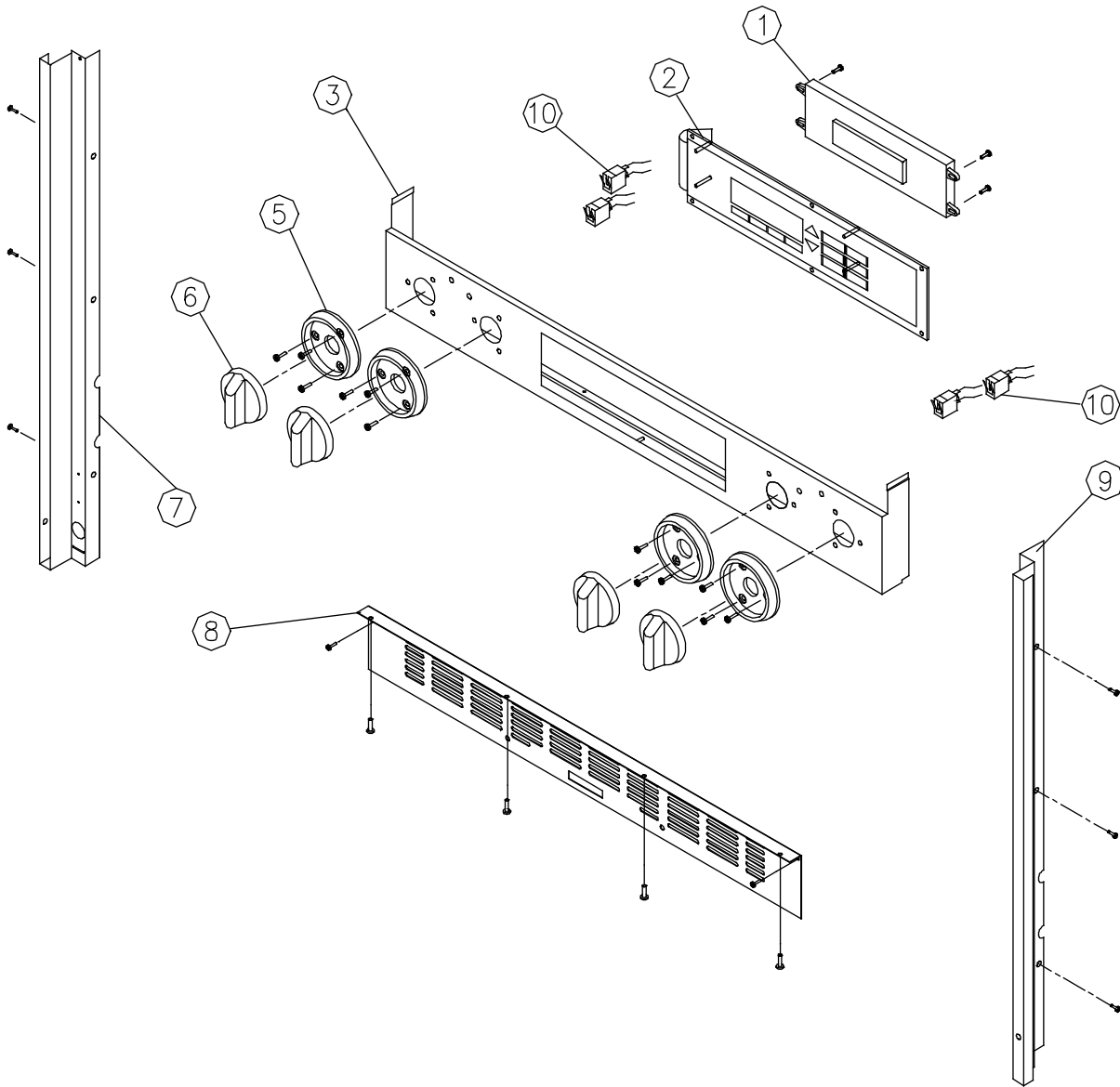


| Item | Part # | Description         |
|------|--------|---------------------|
| 1    | 27820  | Base Weld           |
| 2    | 26900  | Pallet Angle        |
| 3    | 83359  | Leveler             |
| 4    | 26239  | Base Back Cover     |
| 5    | 27048  | Base Stiffener Assy |
| 6    | 36865  | Exhaust Plate       |
| 7    | 72586  | Bake Tube 3/8"      |
| 8    | 82429  | Thermal Dual Valve  |

| Item | Part #  | Description             |
|------|---------|-------------------------|
| 9    | 72599   | Bake Orifice Fitting NG |
|      | 72600   | Bake Orifice Fitting LP |
| 10   | 82229B  | Lower Exhaust Grill     |
| 11   | 36910   | Kick Panel              |
| 12   | 36918   | Kick Panel Liner        |
| 14   | 26477B  | Kick Panel Bkt          |
| 15   | 36679BP | Kick Panel Shield       |
| 17   | 26183   | Kick Panel Support      |
| 18   | 26217   | Bake Burner Hood Bkt    |

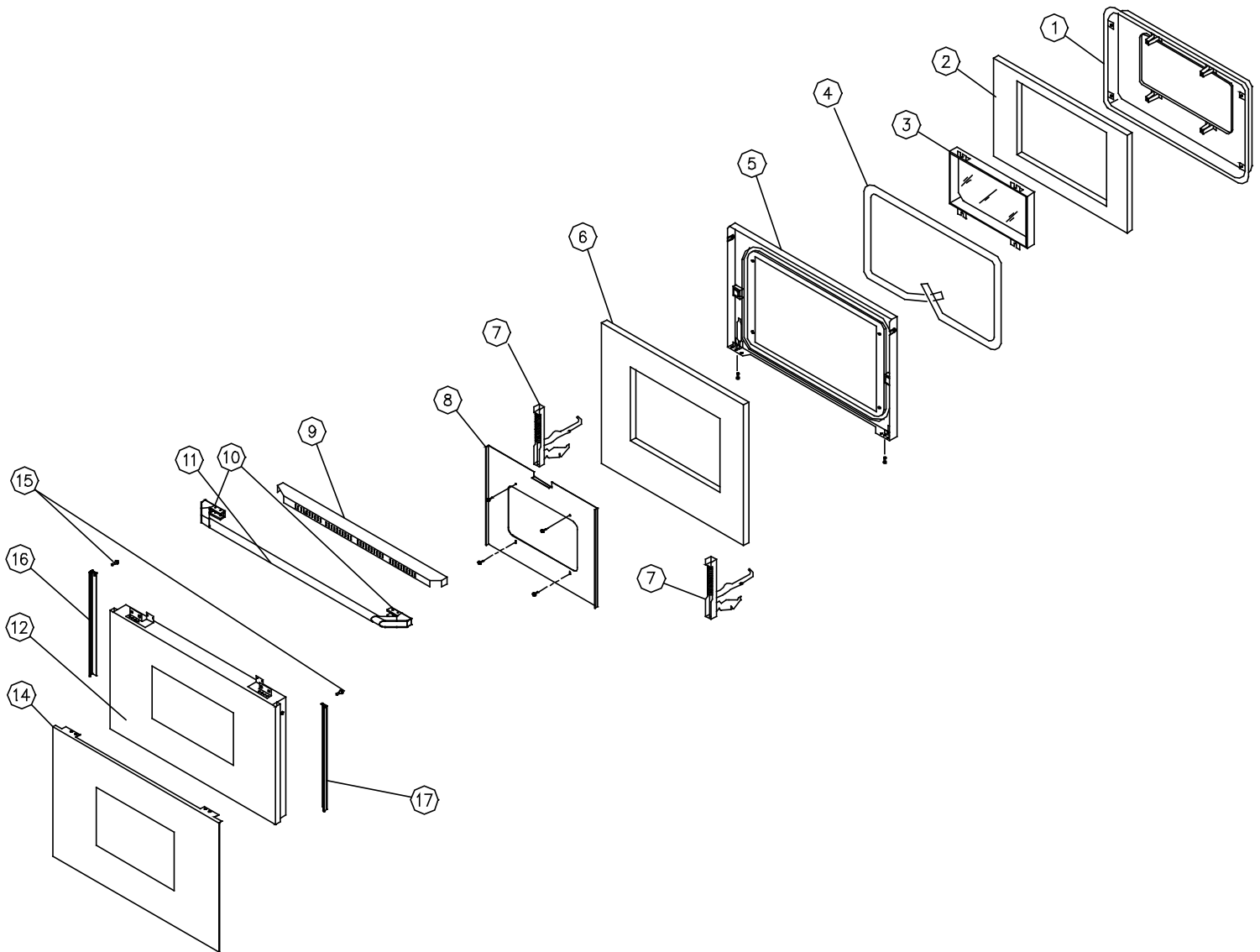


# EGR Range Control Panel Assembly



| Item | Part #   | Description                      |
|------|----------|----------------------------------|
| 1    | 62789    | Oven Control                     |
| 2    | 62802    | Membrane                         |
| 3    | 66894    | Control Panel and Sub-Panel Assy |
| 5    | 100122BC | Trim Ring, Black Chrome          |
|      | 100122BR | Trim Ring, Brass                 |
|      | 100122CH | Trim Ring, Chrome                |
|      | 100122CP | Trim Ring, Copper                |
| 6    | 62021B   | Knob                             |
| 7    | 36908    | LH Trim Post                     |
| 8    | 36901    | Intake Grill                     |
| 9    | 36909    | RH Trim Post                     |
| 10   | 62036    | Indicator Lite, Blue Neon        |

# EGR Range Door Assembly



| Item            | Part #  | Description            |
|-----------------|---------|------------------------|
| 1               | 27728BP | Assy, Inner Liner      |
| 2               | 80207   | Inner Liner Insulation |
| 3               | 72148   | Window Pack Assy       |
| 4               | 72020   | Door Gasket            |
| 5               | 86746   | Outer Liner Assy       |
| 6               | 80213   | Outer Liner Insulation |
| 7               | 701035  | Door Hinges            |
| 8               | 36956B  | Door Heat Shield       |
| 9               | 36338   | Door Vent              |
| 10 <sup>1</sup> | 62691BK | End Cap Handle, Black  |
|                 | 62691BR | End Cap Handle, Brass  |
|                 | 62691CH | End Cap Handle, Chrome |
|                 | 62691CP | End Cap Handle, Copper |

| Item              | Part # | Description         |
|-------------------|--------|---------------------|
| 11 <sup>1,2</sup> | 62209  | Door Handle         |
| 12 <sup>2</sup>   | 27613B | Door Frame          |
| 13                | NA     | NA                  |
| 14 <sup>2</sup>   | 66092  | Door Skin           |
| 15 <sup>2</sup>   | 83618  | Door Bumper         |
| 16 <sup>2</sup>   | 26370  | Door Edge Trim (LH) |
| 17 <sup>2</sup>   | 26371  | Door Edge Trim (RH) |

<sup>1</sup>Items 10 and 11 may be purchased as an assembly (part # 13407xx, where xx represents the handle trim color).

<sup>2</sup>Items 11, 12, 14, 15, 16 and 17 are sold as an assembly (part # 66273).