

dacor®

The Life of the Kitchen.®

PARTS CATALOG

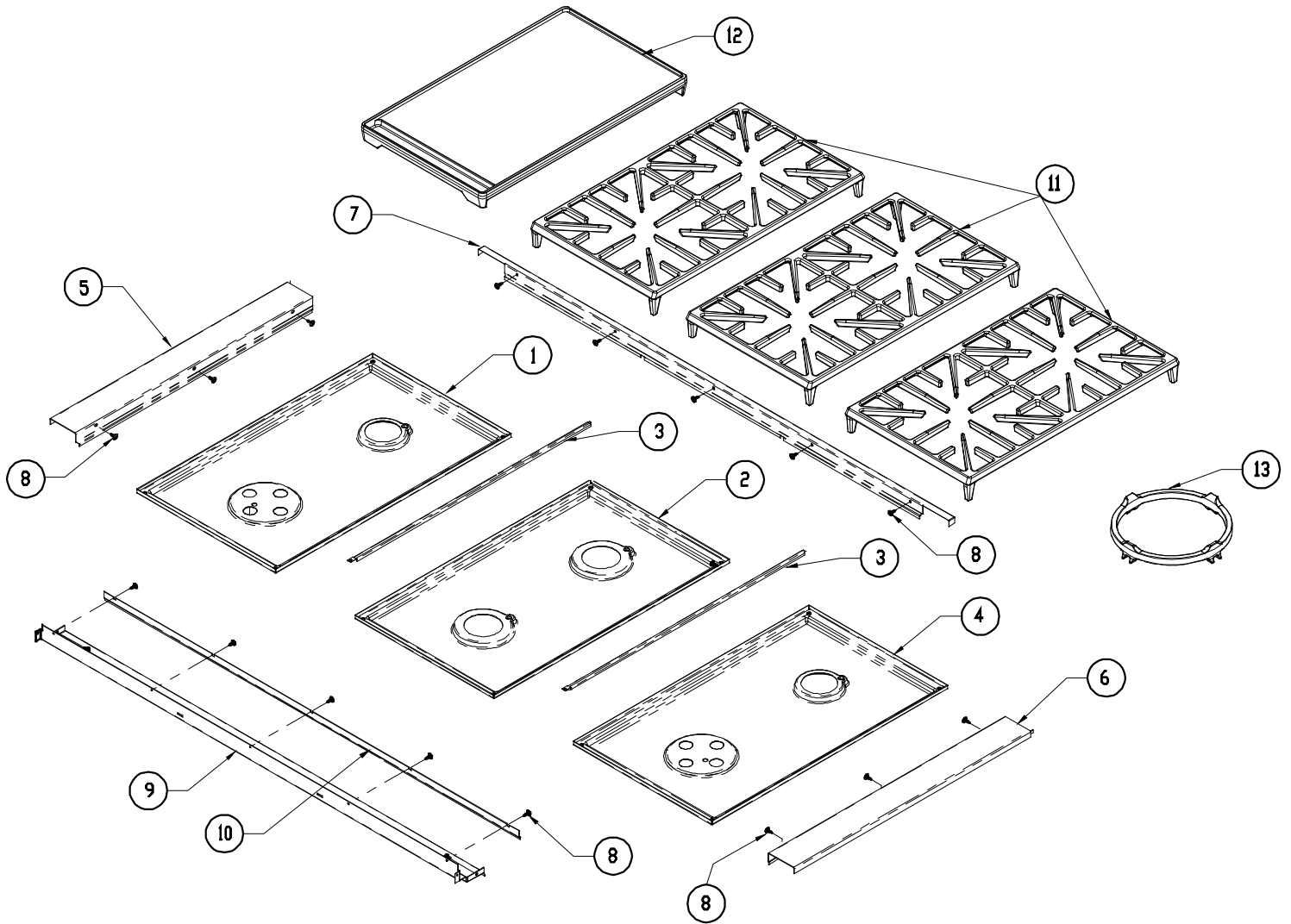
EG486 Cooktop

Page	Description
2	Top Assembly
3	Sub-Assembly
4	Sub-Assembly Parts
5	Control Panel Assembly
6	Manifold Assembly

IMPORTANT: This model is not approved for field conversions from one gas type to another and from one altitude setting to another.

Revised 04-22-2013

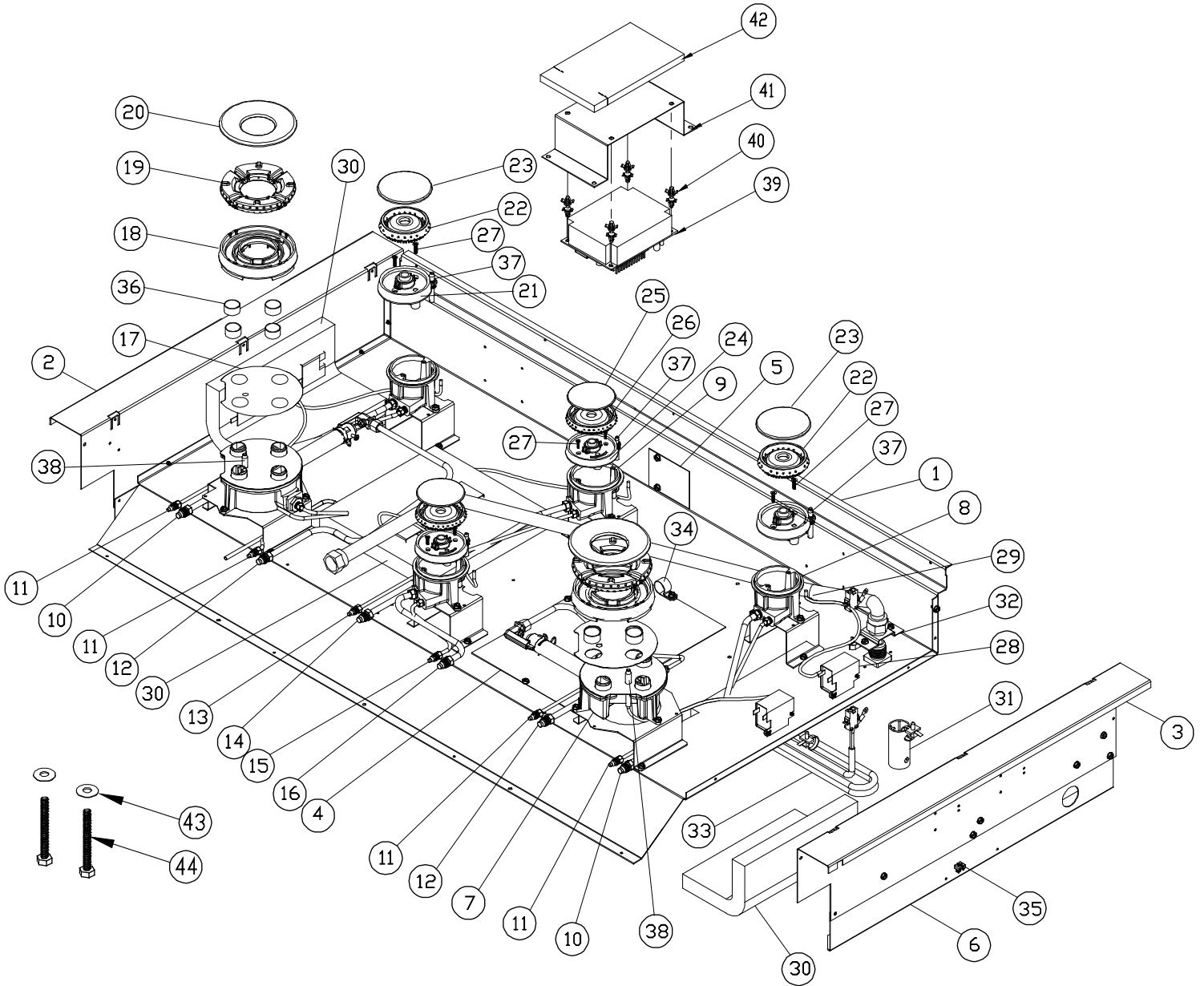
EG486 Cooktop Top Assembly



Item	Part #	Description
1	100007-01BP	Spill Tray
2	100007-02BP	Spill Tray
3	100836BP	Trim, Spill Trays
4	100007-03BP	Spill Tray
5	102209-01	Weld, Side Trim, Left
6	102209-02	Weld, Side Trim, Right
7	101131	Trim, Rear
8	83708	Screw, Trx Wfr, #8 x 1/2"

Item	Part #	Description
9	N/A	Channel Support, Spill Tray
10	100837	Trim, Front/Back
11	700038	Grate, 14" x 24"
12	700409	Griddle, Boxed
13	700410	Wok Ring Kit
-	83383	Mounting Bolt, 1/4-20 x 1.50
-	83203	Mounting Washer, 1/4-20, Flat

EG486 Cooktop Sub-Assembly



EG486 Sub-Cooktop Assembly Part List

Item	Part # Nat. Gas	Part # LP Gas	Description
1	N/A	N/A	Chassis Box
2	N/A	N/A	Upper Side Support, Left
3	N/A	N/A	Upper Side Support, Right
4	102036	102036	Cover
5	102159	102159	Cover Plate, Manifold Hole
6	N/A	N/A	C-Channel, Base
7	700066	700345	Assy, Dual Burner, 18K
8	700067	700346	Assy, Injector Holder, 8.5K
9	700068	700348	Assy, Injector Holder, 16K
10	100579	100579	5/16" Rear Right Flex Tubing
11	100580	100580	3/16" Left Front Flex Tubing
12	100578	100578	5/16" Front Left Flex Tubing
13	100788	100788	3/16" Center Rear Flex Tubing
14	100785	100785	5/16" Center Rear Flex Tubing
15	100929	100929	3/16" Center Front Flex Tubing
16	100927	100927	5/16" Front Center Flex Tubing
17	700145	700145	Gasket, Dual Burner, Graphite
18	700029	700029	Burner Base, 18K
19	100703 ¹	100703 ¹	Burner Ring, 18K ¹
20	100703 ¹	100703 ¹	Burner Cap, 18K ¹
21	100696	100696	Base Assy, 8.5K
22	100699 ²	100699 ²	Burner Ring, 8.5K ²
23	100699 ²	100699 ²	Burner Cap, 8.5K ²
24	100702	100702	Base Assy, 16K

Item	Part # Nat. Gas	Part # LP Gas	Description
25	700493 ³	700493 ³	Burner Cap, 16K ³
26	700493 ³	700493 ³	Burner Ring, 16K ³
27	700007	700007	Screw, Countersink HD, M4 x .5
28	72634	72634	Spark Module
29	100595	100595	Igniter Wire Set
30	100910	100910	Insulation
31	101539	101539	Tool, Dual Ring Bracket
32	101675	101675	Adaptor Bracket
33	102041 ⁴	102041 ⁴	Assy, Power Supply Cord ⁴
34	83167	83167	Cable Clamp, 3/4"
35	83398	83398	Nut, Retainer, 1/4-20 Tinnerman
36	701110	701110	Thread Ring Kit
37	106087	106087	Igniter Kit, 8.5k/16k Burner
38	106088	106088	Igniter Kit, 18k Burner
39	106104	106104	Board, LED Isolator
40	83538	83538	Nylon, PCB Support
41	103798	103798	LED Isolator Bracket
42	81608	81608	Insulation, Igniter
43	83203	83203	Washer, 1/4-20, Flat
44	83383	83383	Bolt, Hold Down, 1/4 - 20 x 1 1/2
-	100601 ⁵	100601 ⁵	Wire Harness (Not Shown) ⁵
-	106020	106020	Wire Harness (5 VDC, Not Shown, Rev. B)

¹Order as kit # 100703, includes burner base, ring and cap

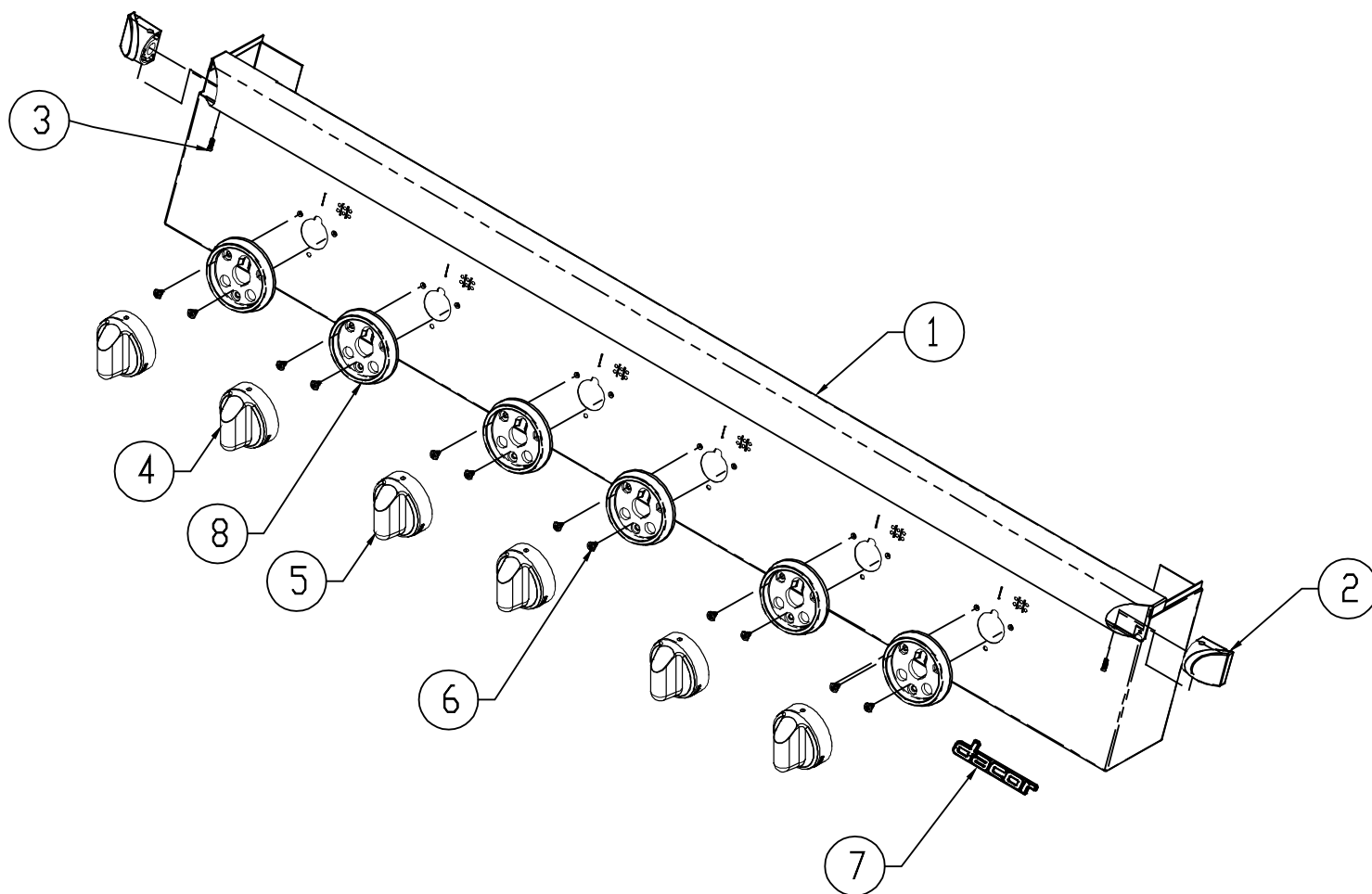
²Order as kit # 100699, includes burner ring and cap

³Order as kit # 700493, includes burner ring and cap

⁴Use 102041 with Rev. A models. Use 72765 w/ Rev. B and above models.

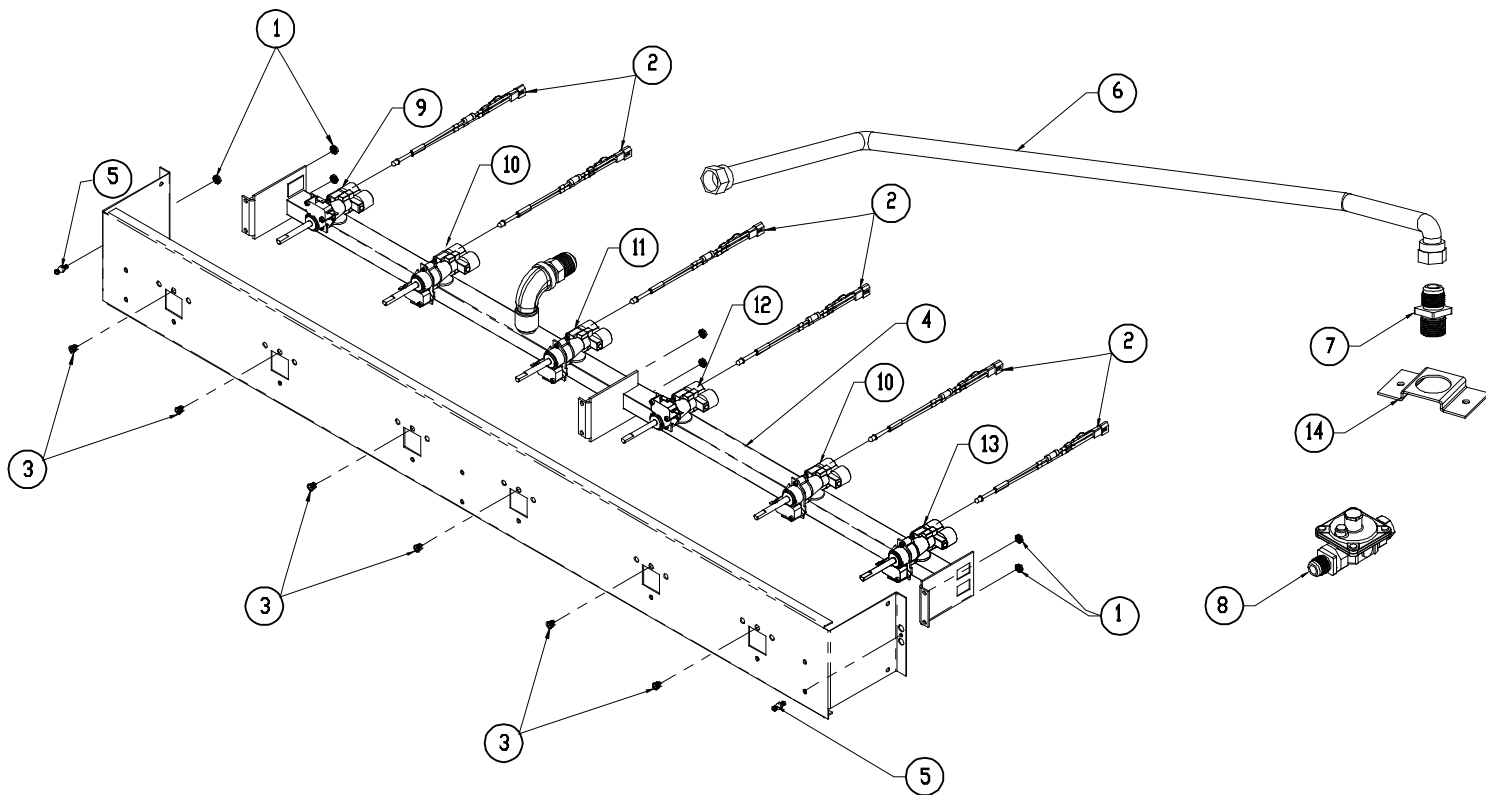
⁵Use 100601 with Rev. A models. Use 106005 w/ Rev. B and above models.

EG486 Cooktop Control Panel Assembly



Item	Part #	Description
1	700700 ¹	Assy, Control Panel with Logo, Service Kit ¹
2	100128BC/BR/CH/CP	End Cap, Black Chrome/Brass/Chrome/Copper
3	101505	Screw, #4-40 x 1/2"
4	100127-01	Knob, Illuminated, Black
	105374-01	Knob, Illuminated, Metallic
5	100127-02	Knob, Illuminated, Griddle, Black
	105374-02	Knob, Illuminated, Griddle, Metallic
6	83571	Screw, Rd Washer Hd, #8 x 3/8"
7	72511CH	Dacor Logo
8	100122BC/BR/CH/CP	Trim Ring, Black Chrome/Brass/Chrome/Copper
¹ Order as kit # 700700, includes control panel with logo and ball studs installed.		

EG486 Cooktop Manifold Assembly



Item	Part # (NG)	Part # (LP)	Description
1	83308	83308	Keps Nut, #6-32
2	701616/701617 ²	701616/701617 ²	LED Kit ²
3	103757 ³	103757 ³	LED Light Holder ³
4	101041-01 ¹	101041-02 ¹	Assy, Manifold w/ Valves ¹
5	83539	83539	Ball Stud
6	101678	101678	Main Manifold, Tube
7	100760	100760	Connector Flare
8	62834	72980	Regulator
9	101561-01	101561-06	Valve, 8.5K, LH
10	101561-03	101561-08	Valve, 18K
11	101561-02	101561-07	Valve, 16K, LH
12	101561-05	101561-10	Valve, 16K, RH
13	101561-04	101561-09	Valve, 18K, RH
14	101675	101675	Adapter Bracket
-	103789	103789	Switch, Igniter (not shown)

¹Available for order upon authorization.

²Use kit P/N 701616 for units before serial number S-B-10360039. Use kit P/N 701617 for units after serial number S-B-10360039 (includes isolator board). All versions include 6 LEDs. Replace all 6 so that they match in brightness.

³Use 72920 with Rev. A models.