

dacor[®]

The Life of the Kitchen.[®]

PARTS CATALOG

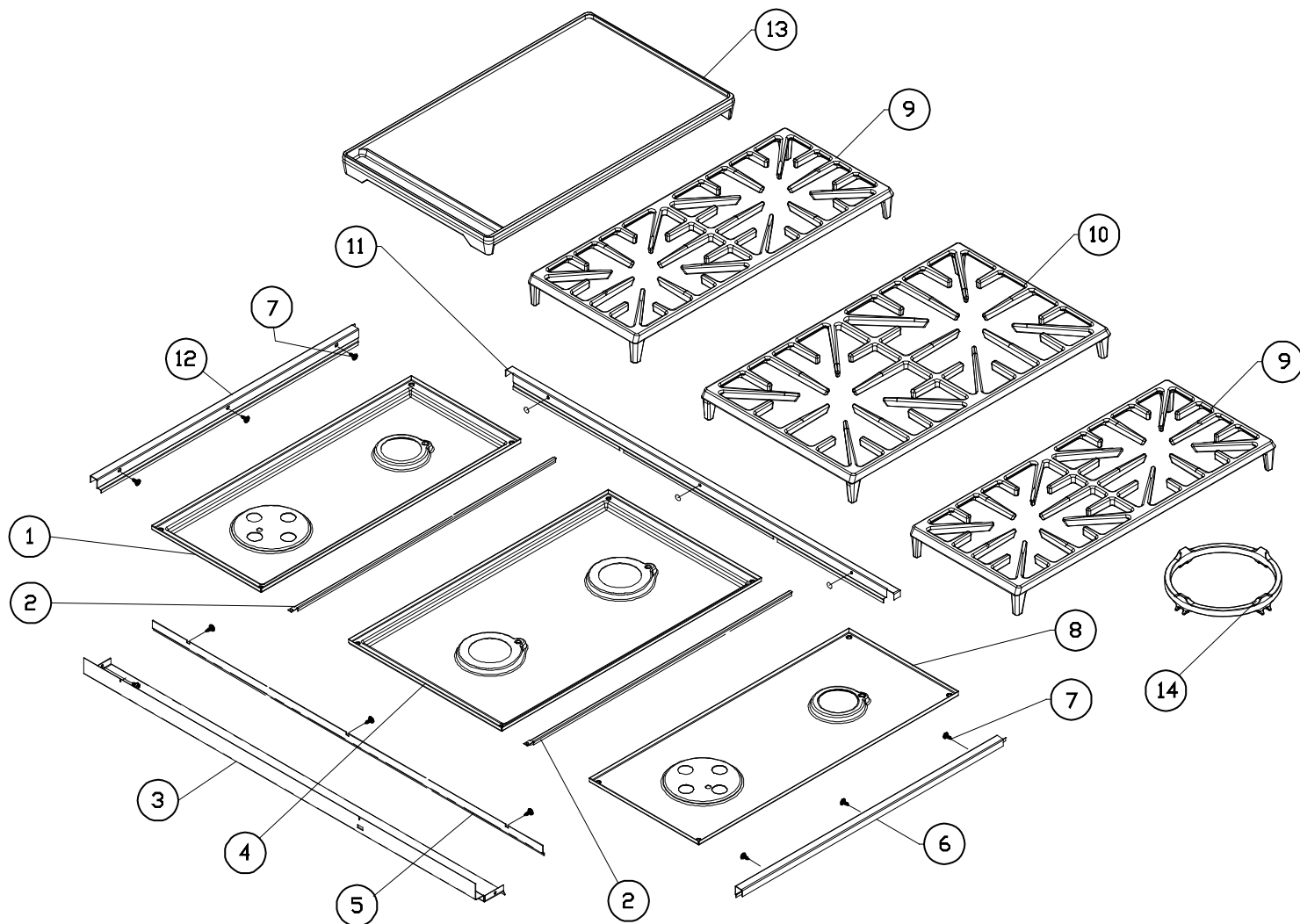
EG366 Cooktop

Page #	Description
2	Top Assembly
3	Burners and Tubes Assembly
4	Burners and Tubes Parts List
5	Chassis Assembly
6	Control Panel Assembly
7	Manifold Assembly

IMPORTANT: This model is not approved for field conversions from one gas type to another and from one altitude setting to another.

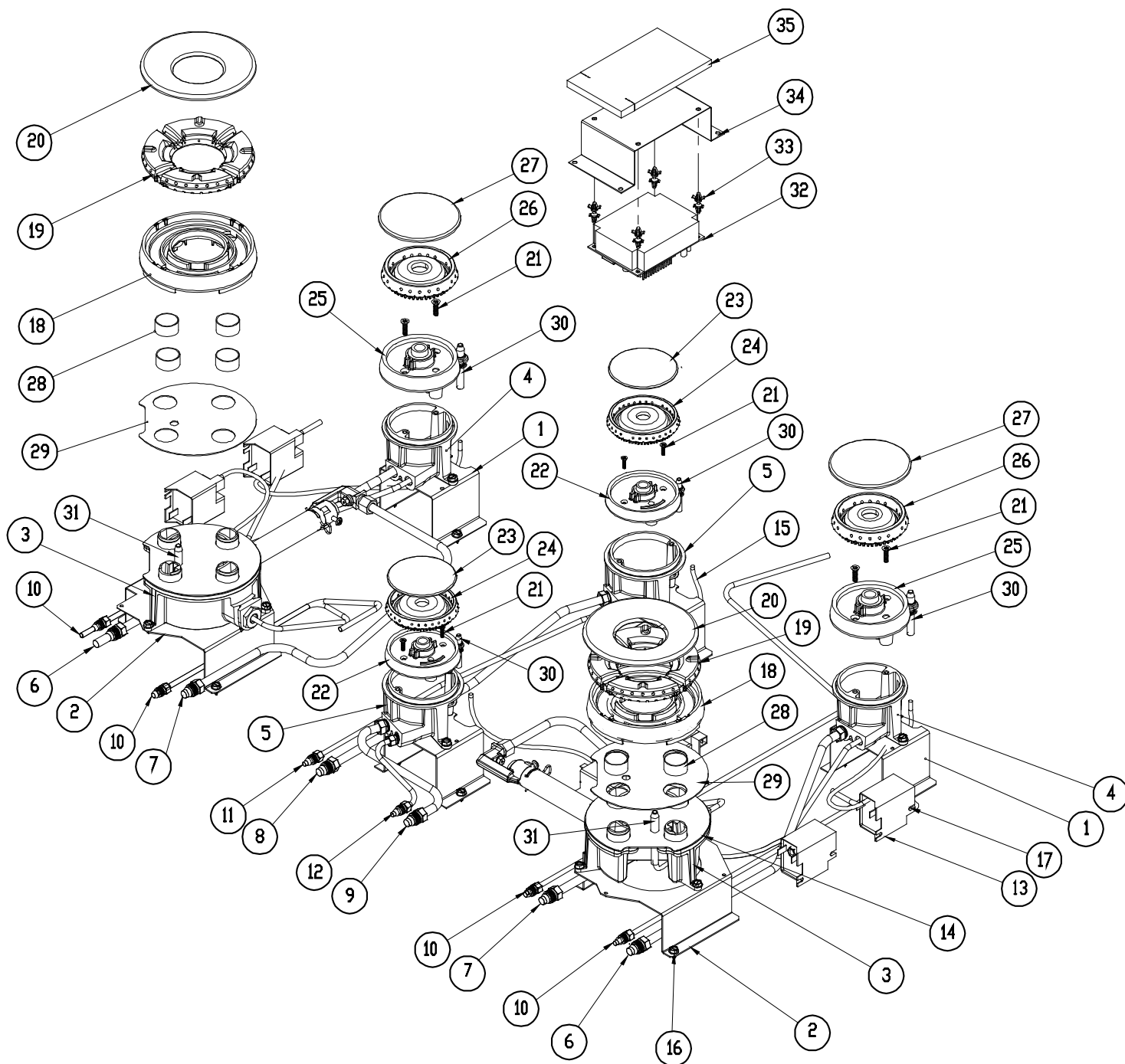
Revised 08-30-2013

EG366 Top Assembly



Item	Part #	Description
1	100007-05BP	Spill Tray, Left
2	100836BP	Trim, Spill Trays
3	N/A	Channel, Spill Tray Support
4	100007-02BP	Spill Tray, Center
5	100854	Trim, Front/Rear
6	102208-02	Side Trim, Right
7	83708	Screw, #8 x 1/2"
8	100007-06BP	Spill Tray, Right
9	700037	Grate, 10"
10	700038	Grate, 14" x 24"
11	101133	Trim, Rear
12	102208-01	Side Trim, Left
13	700409	Griddle, Boxed
14	700410	Wok Ring Kit

EG366 Burners & Tubes Assembly



EG366 Burners & Tubes Parts List

Item	Part #	Description
1	100277	Burner Support 8.5k
2	100280	Burner Support 18k
3	700066	Dual Burner Assy, 18k, Nat. Gas
	700345	Dual Burner Assy, 18k, LP
4	700067	Injector Holder Assy, 8.5k, Nat. Gas
	700346	Injector Holder Assy, 8.5k, LP
5	700068	Injector Holder Assy, 16k, Nat. Gas
	700348	Injector Holder Assy, 16k, LP
6	100579	Flex Tubing, 5/16" Rear Left
7	100578	Flex Tubing, 5/16" Front Left
8	100785	Flex Tubing, 5/16" Rear Center
9	100927	Flex Tubing, 5/16" Front Center
10	100580	Flex Tubing, 3/16" Rear Left
11	100788	Flex Tubing, 3/16" Rear Center
12	100929	Flex Tubing, 3/16" Front Center
13	72634	Spark Module
14	700145	Dual Burner Graphite Gasket
15	100595	Igniter Wire Set
16	83023	Slot Screw, HWH #10 x 3/8"

Item	Part #	Description
17	83001	Screw, Phil, Pan Head 8-32
18	700029	Burner Base, 18k
19	100703 ¹	Burner Ring, 18k ¹
20	100703 ¹	Burner Cap, 18k ¹
21	700007	Screw, Counter Sink Torx
22	100702	Base Assy, 16k
23	700493 ²	Burner Cap, 16k ²
24	700493 ²	Burner Ring, 16k ²
25	100696	Base Assy, 8.5k
26	100699 ³	Burner Ring, 8.5k ³
27	100699 ³	Burner Cap, 8.5k ³
28	701110 ⁴	Thread Ring Kit ⁴
29	700145	Gasket, Dual Burn, Graphite
30	106087	Igniter Kit, 8.5k/16k
31	106088	Igniter Kit, 18k
32	106104 ⁵	Board, LED Isolator ⁵
33	83538 ⁵	Nylon, PCB Support ⁵
34	103798 ⁵	LED Isolator Bracket ⁵
35	81608 ⁵	Insulation, Igniter ⁵

¹ Can only be ordered as kit P/N 100703. Includes burner base, burner ring and burner cap.

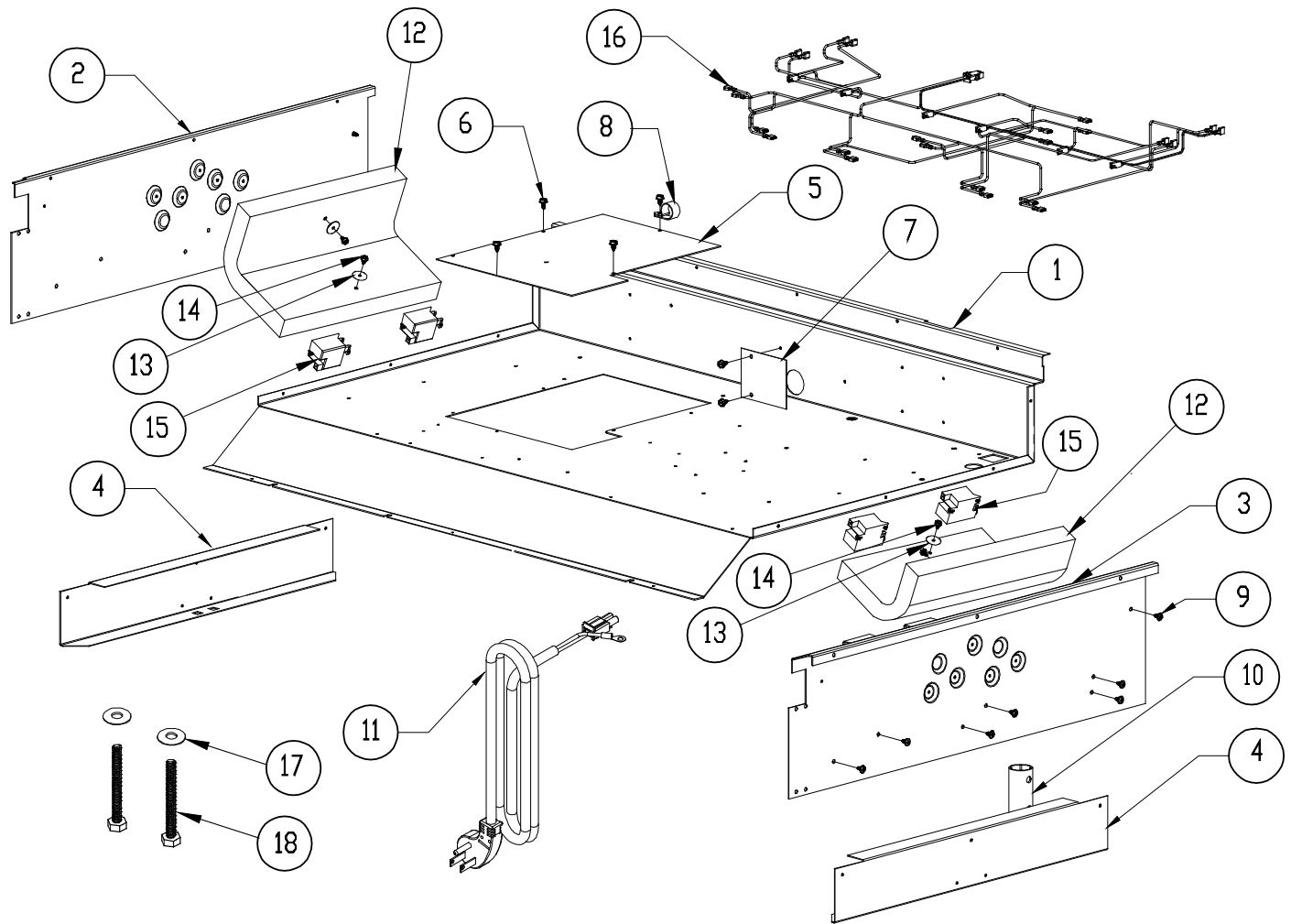
² Can only be ordered as kit P/N 700493. Includes burner ring and burner cap.

³ Can only be ordered as kit P/N 100699. Includes burner ring and burner cap.

⁴ Kit P/N 701110 includes set of 4 thread rings.

⁵ For use only with Rev. B and later models.

EG366 Chassis Assembly



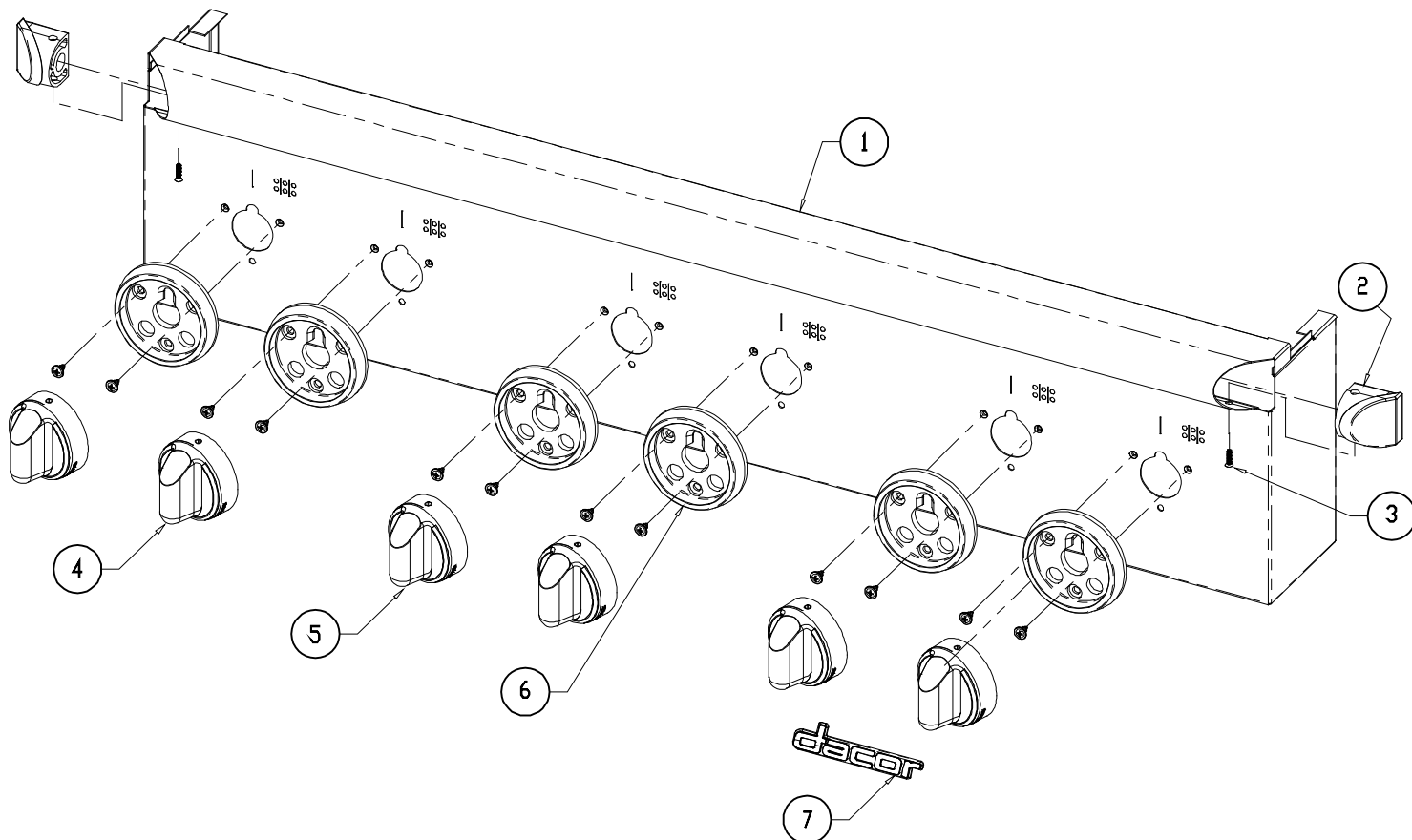
Item	Part #	Description
1	N/A	Chassis Box
2	N/A	Upper Side Support, Left
3	N/A	Upper Side Support, Right
4	N/A	C-Channel Base
5	102020	Cover
6	83023	Screw, #10 x 3/8"
7	102159	Plate Cover, Manifold Hole
8	83167	Cable Clamp, 3/4"
9	83571	Screw, #8 x 3/8"
10	101539	Tool, 18k

Item	Part #	Description
11	72765 ¹	Assy, Power Supply Cord ¹
12	100910	Insulation, Single Point
13	83533	Washer, .88OD x .165ID x .03, SS
14	83023	Screw, Slot HWH, #10 x 3/8"
15	72634	Re-Ignition Module, Single Point
16	106005 ²	Wire Harness ²
-	106020	Wire Harness (5 VDC, not shown)
17	83203	Washer, 1/4-20, Flat
18	83383	Bolt, Hold Down, 1/4 - 20 x 1 1/2

¹ Use 102042 with Rev. A models.

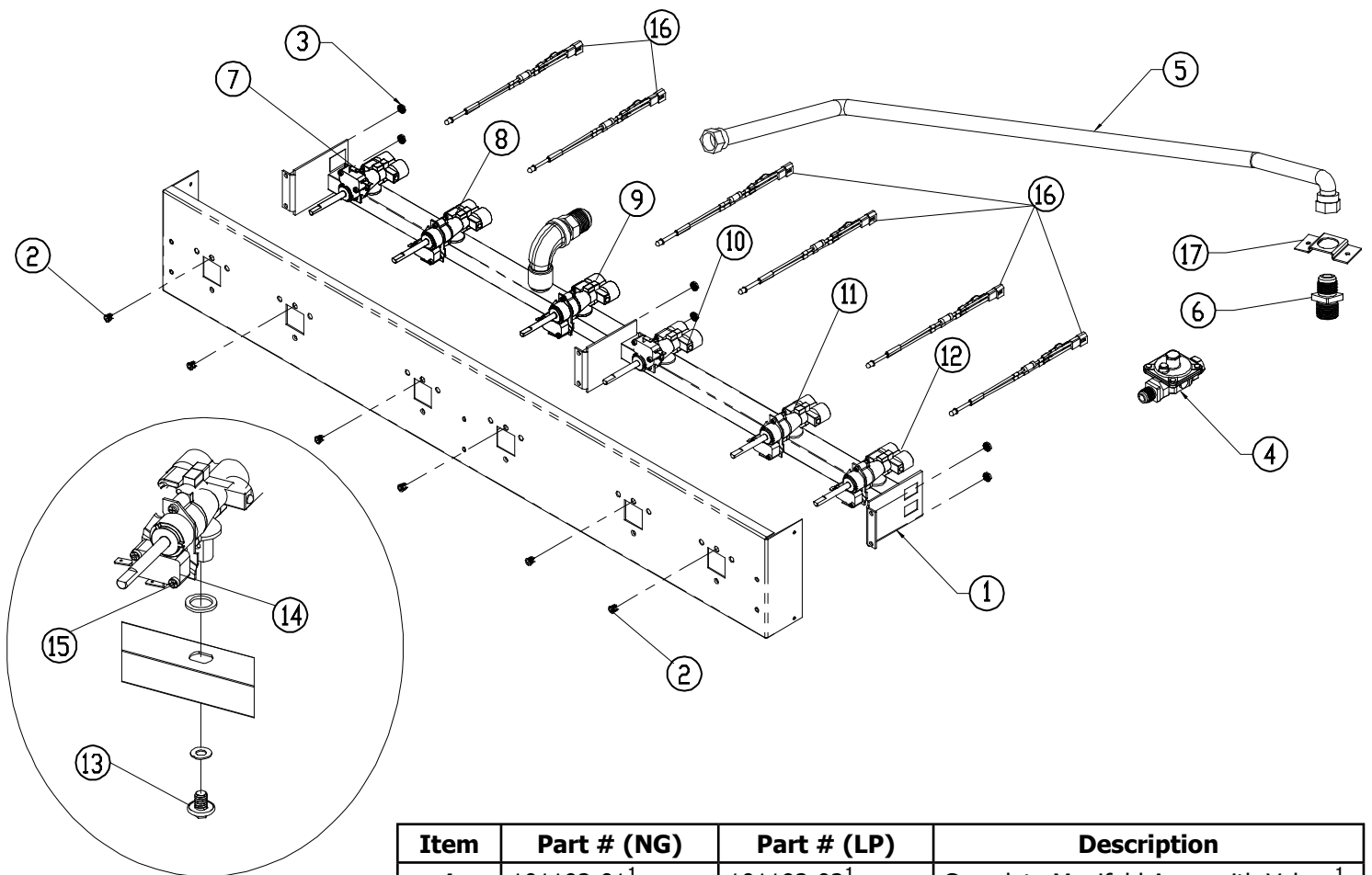
² Use 100600 with Rev. A models.

EG366 Control Panel Assembly



Item	Part #	Description
1	700699	Assy, Control Panel with Logo
2	100128BC/BR/CH/CP	End Cap (specify color)
3	101505	Screw, End Cap
4	100127-01	Knob, Illuminated, Black
	105374-01	Knob, Illuminated, Metallic
5	100127-02	Knob, Illuminated, Griddle, Black
	105374-02	Knob, Illuminated, Griddle, Metallic
6	100122BC/BR/CH/CP	Trim Ring (specify color)
7	72511CH	Dacor Logo

EG366 Manifold Assembly



Item	Part # (NG)	Part # (LP)	Description
1	101192-01 ¹	101192-02 ¹	Complete Manifold Assy, with Valves ¹
2	103757 ²	103757 ²	LED Light Holder ²
3	83308	83308	Keps Nut 6-32
4	62834	72980	Regulator Assy.
5	101678	101678	Main Tube, Manifold
6	100760	100760	Connector Flare
7	101561-01	101561-06	Valve, Rear Left, 8.5k
8	101561-03	101561-08	Valve, Front Left, 18k
9	101561-02	101561-07	Valve, Center Right, 16k
10	101561-05	101561-10	Valve, Center Front, 16k
11	101561-03	101561-08	Valve, Front Right, 18k
12	101561-04	101561-09	Valve, Rear Right, 8.5k
13	101563	101563	Valve, Screw MTG
14	103789	103789	Valve, Switch
15	83705	83705	Screw, Switch
16	701616/701617 ³	701616/701617 ³	LED Kit ³
17	101675	101675	Adapter Bracket

¹Available for order only with authorization.

²Use P/N 72920 for Rev. A models.

³Use kit P/N 701616 for units before serial number S-B-10380003. Use kit P/N 701617 for units after serial number S-B-10380003 (includes isolator board). All versions include 6 LEDs. Replace all 6 so that they match in brightness.