



The Life of the Kitchen.®

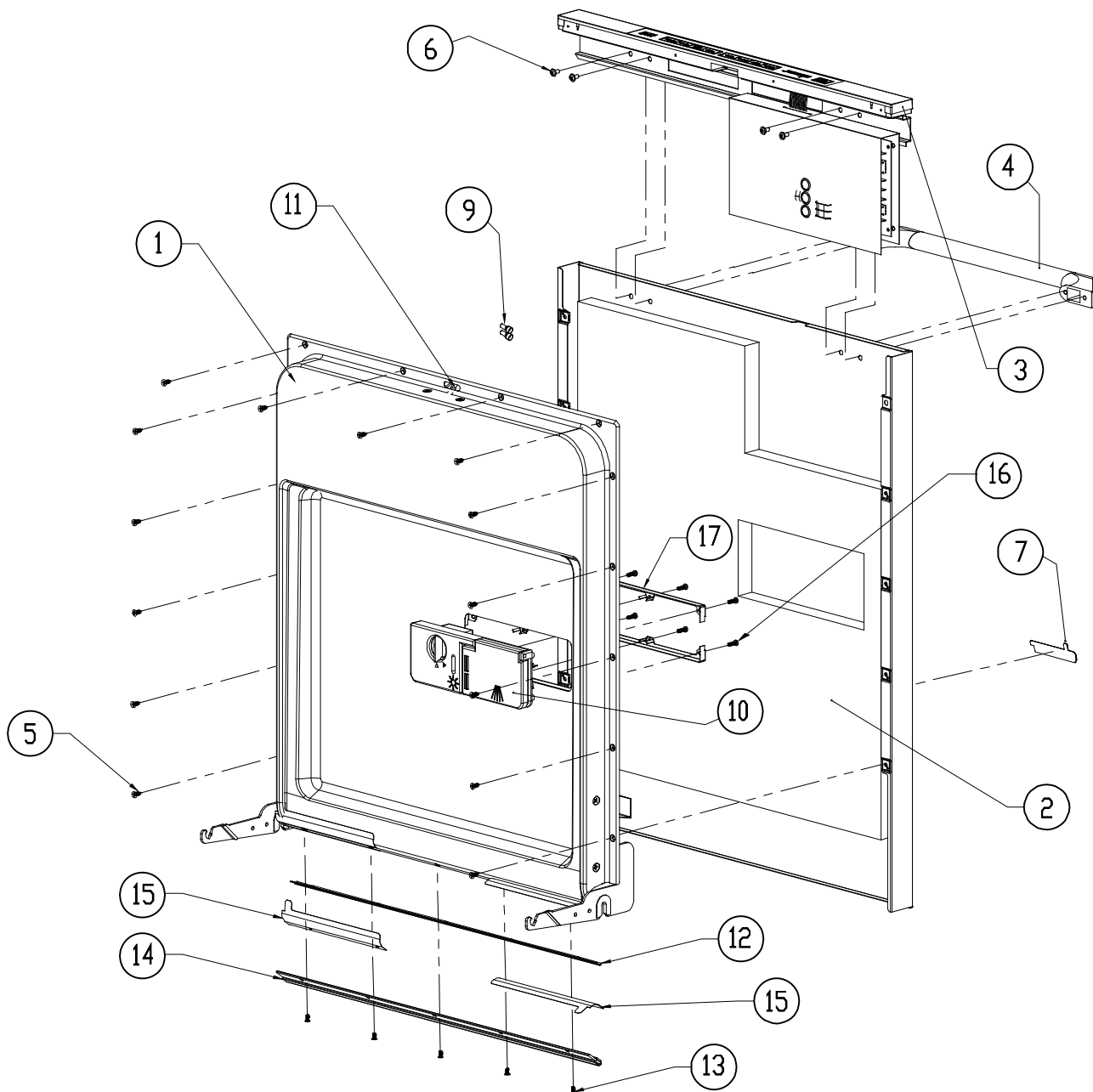
PARTS CATALOG

ED/ID/MDH/MDV/PD Series 24 Inch Dishwashers

Page	Description
2	ED Door Assembly
3	ID Door Assembly
4	MDH/MDV Door Assembly
5	PD Door Assembly
6	Bezel Assembly
7	Tank Assembly
8	Tank Parts
9	Upper Rack Assembly
10	Lower Rack Assembly
11	Base Assembly
12	Base Parts
13	Toe Kick Assembly

Revised 10-13-2014

ED24 Dishwasher Door Assembly



Item	Part #	Description
1	106083	Door Liner Assy
2	701100 ¹	Assy, Door Skin with Logo ¹
3	700567 ²	Bezel Assy ²
4	700558SCH	Door Handle Assy, Chrome
	700558SBR	Door Handle Assy, Brass
	700558SCP	Door Handle Assy, Copper
	700558SBC	Door Handle Assy, Black
5	101726	Screw, Flat HD SST, #8 x 1/2"
6	83604	Screw, Washer, #10-32 x 3/8"
7	72510CH/CP/BC/BR	Dacor Logo

Item	Part #	Description
8	101689	Wire Harness (not shown)
9	83543	Closed End Splice
10	72041	Detergent Dispenser
11	700268	Assy, Door Latch
12	101711 ³	Bracket, Bottom Door Seal ³
13	102016	Screw, CS SS, #6-3 x 5/16"
14	102121	Bottom Door Seal
15	102141 ³	Shield, Lower Door Seal ³
16	83653	Screw, Hi-Lo Phil, #8 x 1/2"
17	46146	Bracket, Dispenser

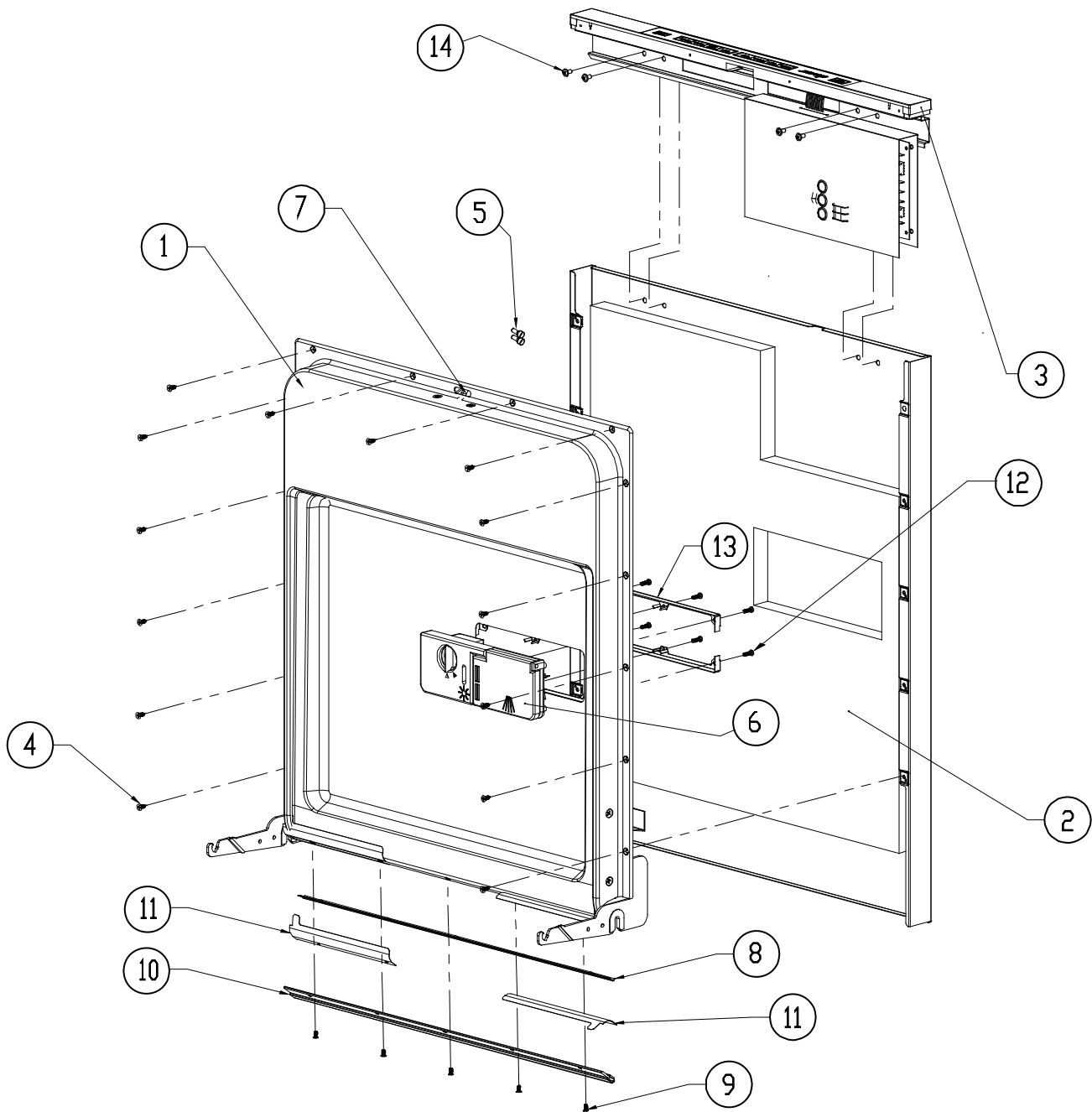
¹Order as kit # 701100 (includes door skin with logo)

²Order as kit # 700567 (includes bezel and complete control board assembly)

³Order as kit # 701102 (includes items 12 and 15)



ID24 Dishwasher Door Assembly



Item	Part #	Description
1	106083	Door Liner Assy
2	700563	Door Skin Assy
3	700567 ¹	Bezel Assy ¹
4	101726	Screw Flat HD SST, #8 x 1/2"
5	83543	Closed End Splice
6	72041	Detergent Dispenser
7	700268	Door Latch
8	101711 ²	Bracket, Bottom Door Seal ²

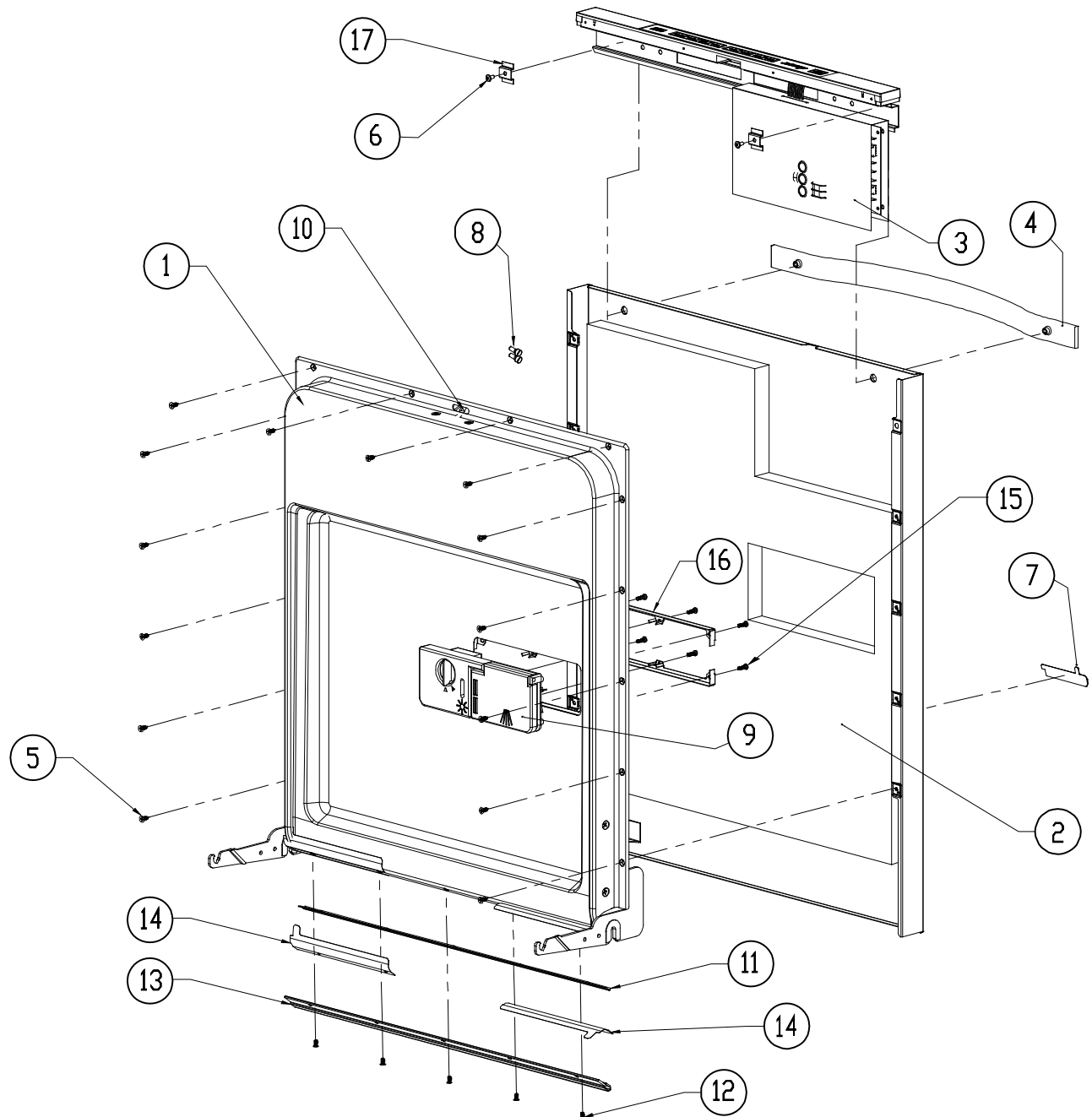
Item	Part #	Description
9	102016	Screw, CS SS, #6-3 x 5/16"
10	102121	Bottom Door Seal
11	102141 ²	Shield, Lower Door Seal ²
12	83653	Screw, Hi-Lo Phil, #8 x 1/2"
13	46146	Bracket, Dispenser
14	83604	Screw, Washer, #10-32 x 3/8"
-	101689	Wire Harness (not shown)
-	701097	Decorative Panel Screw Kit

¹Order as kit # 700567 (includes bezel and complete control board assembly).

²Order as kit # 701102 (includes items 8 and 11).

dacor

MDH24/MDV24 Dishwasher Door Assembly



Item	Part #	Description
1	106083	Assy, Door Liner
2	701103	Assy, Door Skin w/ Logo, MDH
2	701104	Assy, Door Skin w/ Logo, MDV
3	700567 ¹	Assy, Bezel ¹
4	100918	Door Handle
5	101726	Screw, Flat HD SST, #8 x 1/2"
6	83604	Screw, Washer, #10-32 x 3/8"
7	72510CH	Dacor Logo
8	83543	Closed End Splice
9	72041	Detergent Dispenser

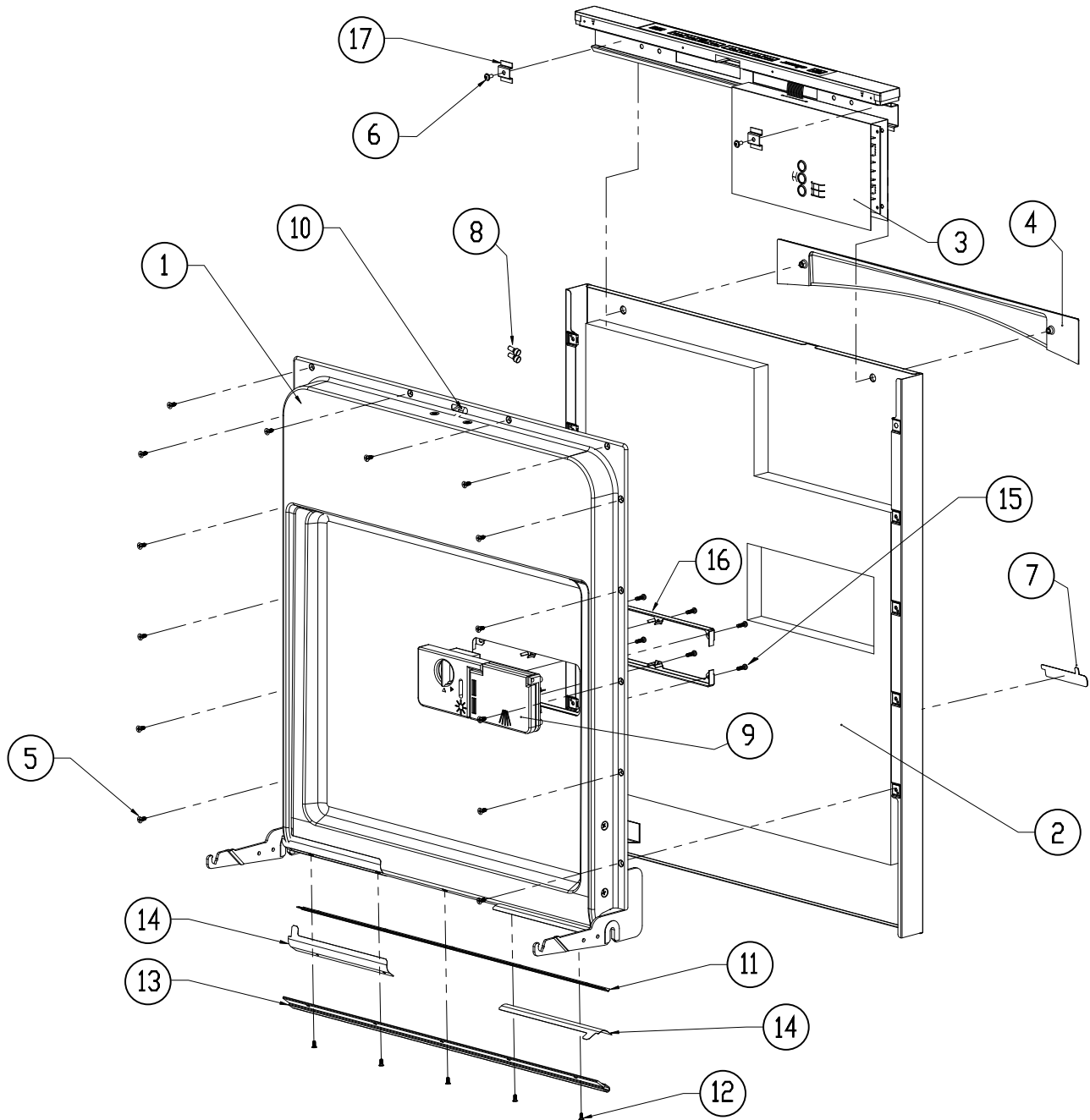
Item	Part #	Description
10	700268	Door Latch
11	101711 ²	Bracket, Bottom Door Seal ²
12	102016	Screw, CS SS, #6-3 x 5/16"
13	102121	Bottom Door Seal
14	102141 ²	Shield, Lower Door Seal ²
15	83653	Screw, Hi Lo Phil, #8 x 1/2"
16	46146	Bracket Dispenser
17	102310	Handle Clip
-	101689	Wire Harness (not shown)

¹Order as kit # 700567 (includes bezel and complete control board assembly).

²Order as kit # 701102 (includes items 11 and 14).

dacor

PD24 Dishwasher Door Assembly



Item	Part #	Description
1	106083	Assy, Door Liner
2	701105AG/BU/ SG/TS/GN/BK	Assy, Door Skin w/ Logo, AG/BU/SG/ TS/GN/BK
3	700567 ¹	Assy, Bezel ¹
4	101887	Door Handle
5	101726	Screw, Flat HD SST, #8 x 1/2"
6	83604	Screw, Washer, #10-32 x 3/8"
7	72510CH	Dacor Logo
8	83543	Closed End Splice
9	72041	Detergent Dispenser

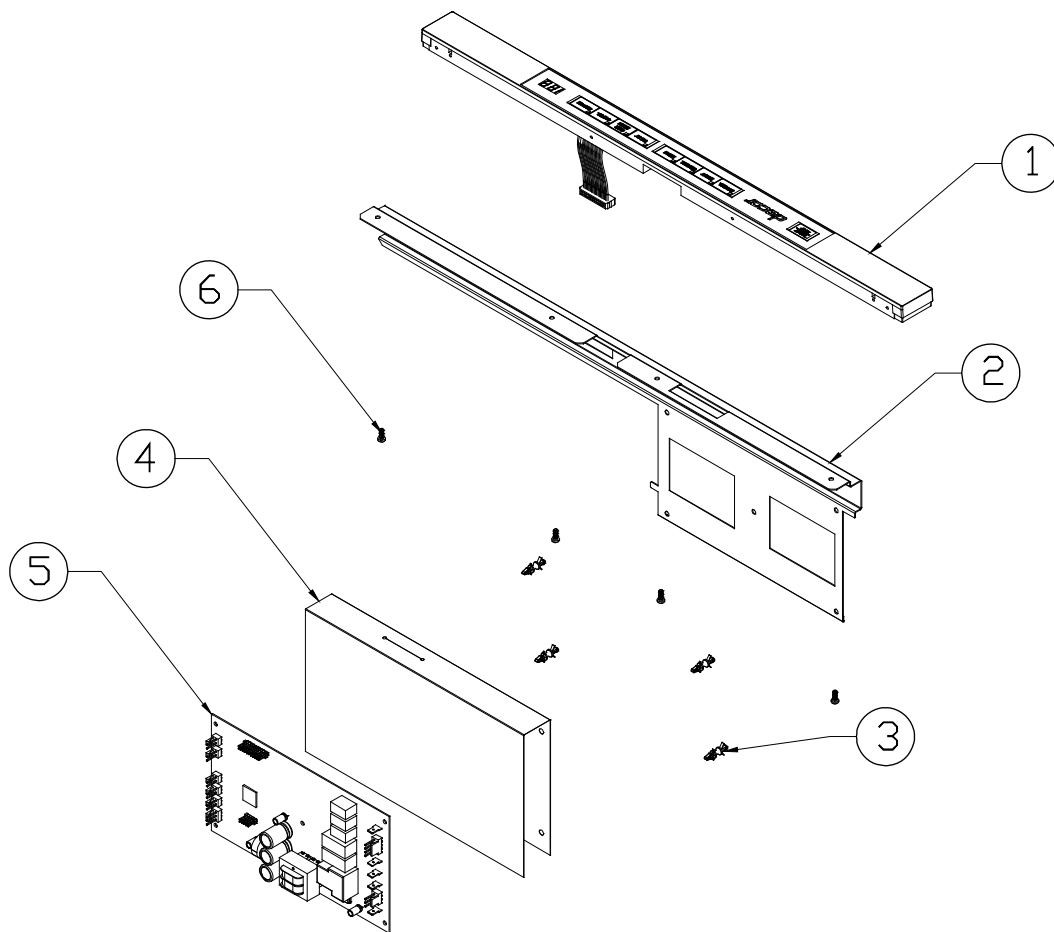
Item	Part #	Description
10	700268	Door Latch
11	101711 ²	Bracket, Bottom Door Seal ²
12	102016	Screw, CS SS, #6-3 x 5/16"
13	102121	Bottom Door Seal
14	102141 ²	Shield, Lower Door Seal ²
15	83653	Screw, Hi-Lo Phil, #8 x 1/2"
16	46146	Bracket, Dispenser
17	102310	Handle, Clip
-	101689	Wire Harness (not shown)



¹Order as kit # 700567 (includes bezel and complete control board assembly).

²Order as kit # 701102 (includes items 11 and 14).

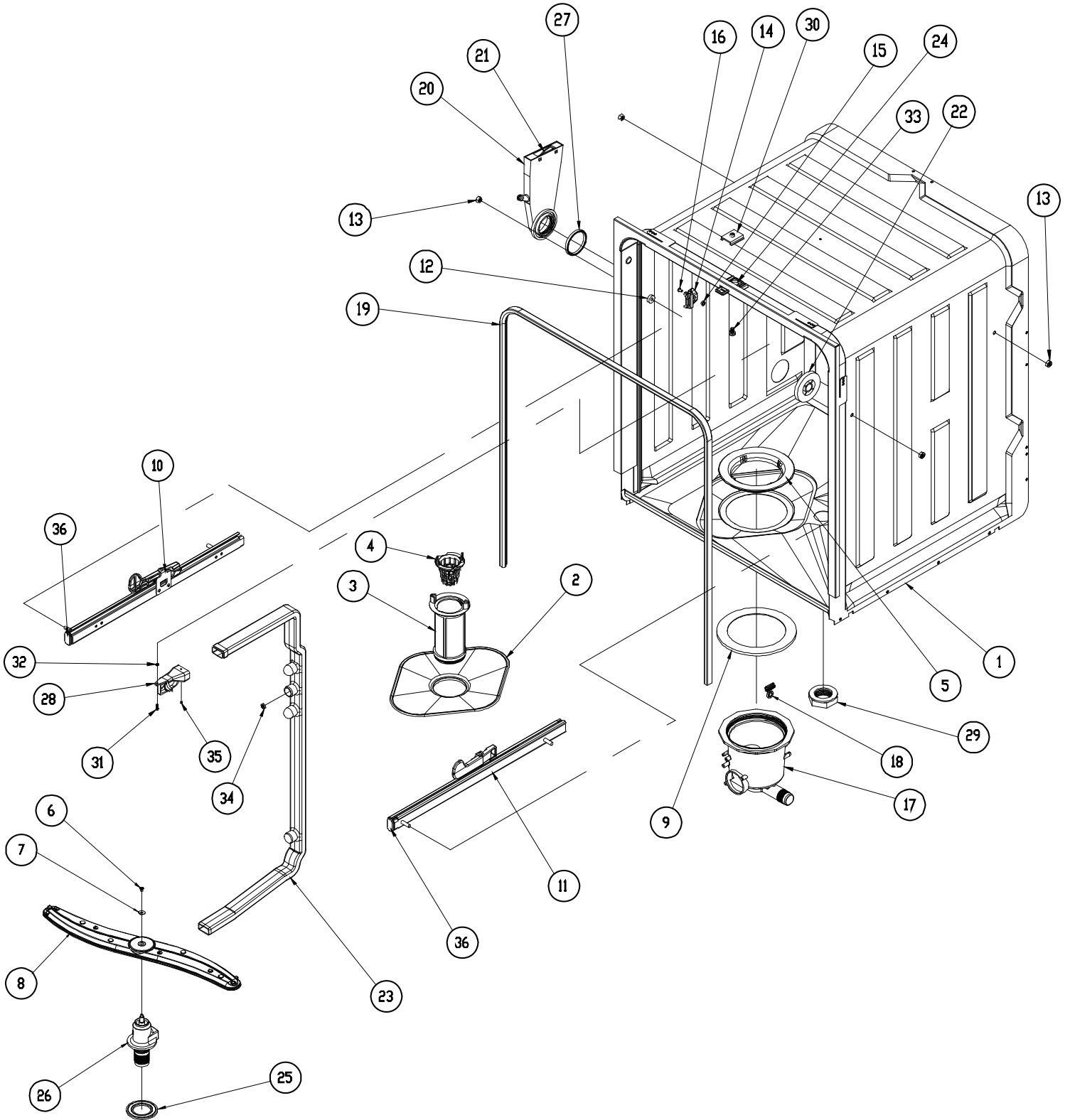
ED/ID/MDH/MDV/PD24 Dishwasher Bezel Assembly



Item	Part #	Description
1	700989	24" Bezel/Membrane Assy.
2	101692	Bezel Bracket
3	83538	PCB Nylon Support
4	101548	Control Board Cover
5	106781	Control Board
6	83602	Screw, M3.5 x 10MM
-	701388 ¹	Bezel Kit, Complete ¹

¹Complete bezel kit consists of items 1, 2, 3, 4, 5 and 6.

ED/ID/MDH/MDV/PD24 Dishwasher Tank Assembly



ED/ID/MDH/MDV/PD24 Dishwasher Tank Parts

Item	Part #	Description
1	-----	Tub Assy 24" (not replaceable)
2	13763	Filter Assy
3	92104	Filter, Inner Assy
4	72072	Strainer
5	72066 ¹	Sump Locking Nut ¹
6	83687 ²	Nut, 8-32 Stainless Nylon ²
7	83704 ²	Washer, Flat ²
8	92054	Wash Arm, Lower
9	72464 ¹	Gasket, Sump ¹
10	102343-01 ⁴	Slide, Left ⁴
11	102343-02 ⁴	Slide, Right ⁴
12	102495	Gasket, Spacer Slide
13	83049	Keps Nut 1/4-20
14	103224	Guide
15	103225	Hex Nut #8-32
16	103226	Button Head CS
17	92108 ¹	Sump ¹
18	92259	Valve, Check-Sump

Item	Part #	Description
19	72051	Seal, Door 24"
20	72073 ³	Air Break ³
21	72059 ³	Cover, Air Break ³
22	72061 ³	Locking Ring, Air Break ³
23	72367	Water Feed Tube
24	72048	Striker, Door Latch
25	72064 ²	Seal, Lower Wash Arm Fitting ²
26	92106 ²	Assy, Lower Wash Arm Fitting ²
27	72326 ³	Air Break Seal ³
28	72555	Assy, Top Sprayer
29	72076 ²	Nut, Lower Wash Arm Fitting ²
30	72490	Keeper, Door Latch
31	83522	Screw, #4-40 x 3/8"
32	83595	O-Ring, .25 x .070
33	83598	Screw M6 Shakeproof
34	83612	Nut, 10-32, Keps SST
35	83627	Screw, Pan HD Phil
36	106896	Bumper

¹Must be ordered as kit # 700993 (includes items 5, 9 and 17).

²Must be ordered as kit # 700996 (includes items 6, 7, 25, 26 and 29).

³Must be ordered as kit # 700997 (includes items 20, 21, 22 and 27).

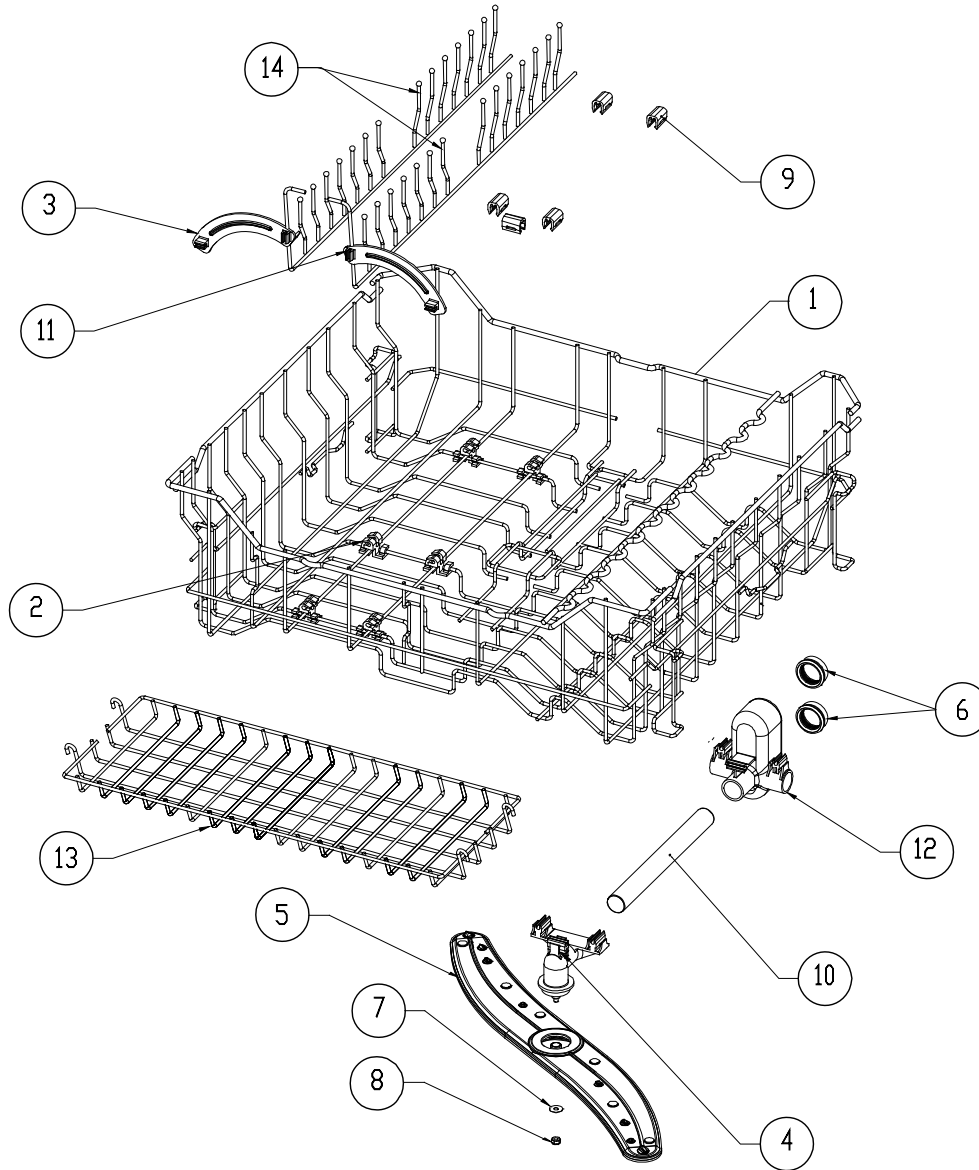
⁴This part is not used on the following versions:

ED24 - Rev. A and B
ID/MDH/MDV/PD24 - Rev. A

The upper rack and slides for the above versions have been redesigned. The above noted versions require replacement of the complete upper rack assembly with slides attached, part number 106543-02. If the rack and slides have not been replaced previously, retro-fit kit part number 106544 is also required to install the new rack/slide assembly.

Part #	Description
106543-02	Assy, Rack with Slides, Upper, 24", Early Version
106544	Assy, Rack, Retrofit Kit

ED/ID/MDH/MDV/PD24 Upper Rack Assembly



Item	Part #	Description
1	102548 ^{3, 4}	Rack, Upper, 24 Inch, Later Version ^{3, 4}
2	72080	Holder, Tine Type A
3	72081	Tine Receiver, LH
4	92090 ²	Fitting, Upper Spray Arm ²
5	92055	Wash Arm Upper
6	72591 ¹	Water Receptacle Grommet ¹
7	83704	Washer, Flat
8	83687	Nut, 8-32 Stainless Nylon
9	72086 ²	Clip, Snap-In ²
10	72482	Pipe, Between Spinners
11	72134	Tine, Receiver, RH
12	92123 ¹	Receptacle, Adj Upper ¹

Item	Part #	Description
13	100947	Silverware Tray
14	701047	Kit, Adjustable Tines

¹Must be ordered as kit # 700994 (includes items 6 and 12).

²Must be ordered as kit # 701175 (includes items 4 and 9).

³For complete assembly, order kit # 700775. Kit # 700775 includes items 1, 2, 3, 4, 5, 6, 7, 8, 9, 10, 11 and 12.

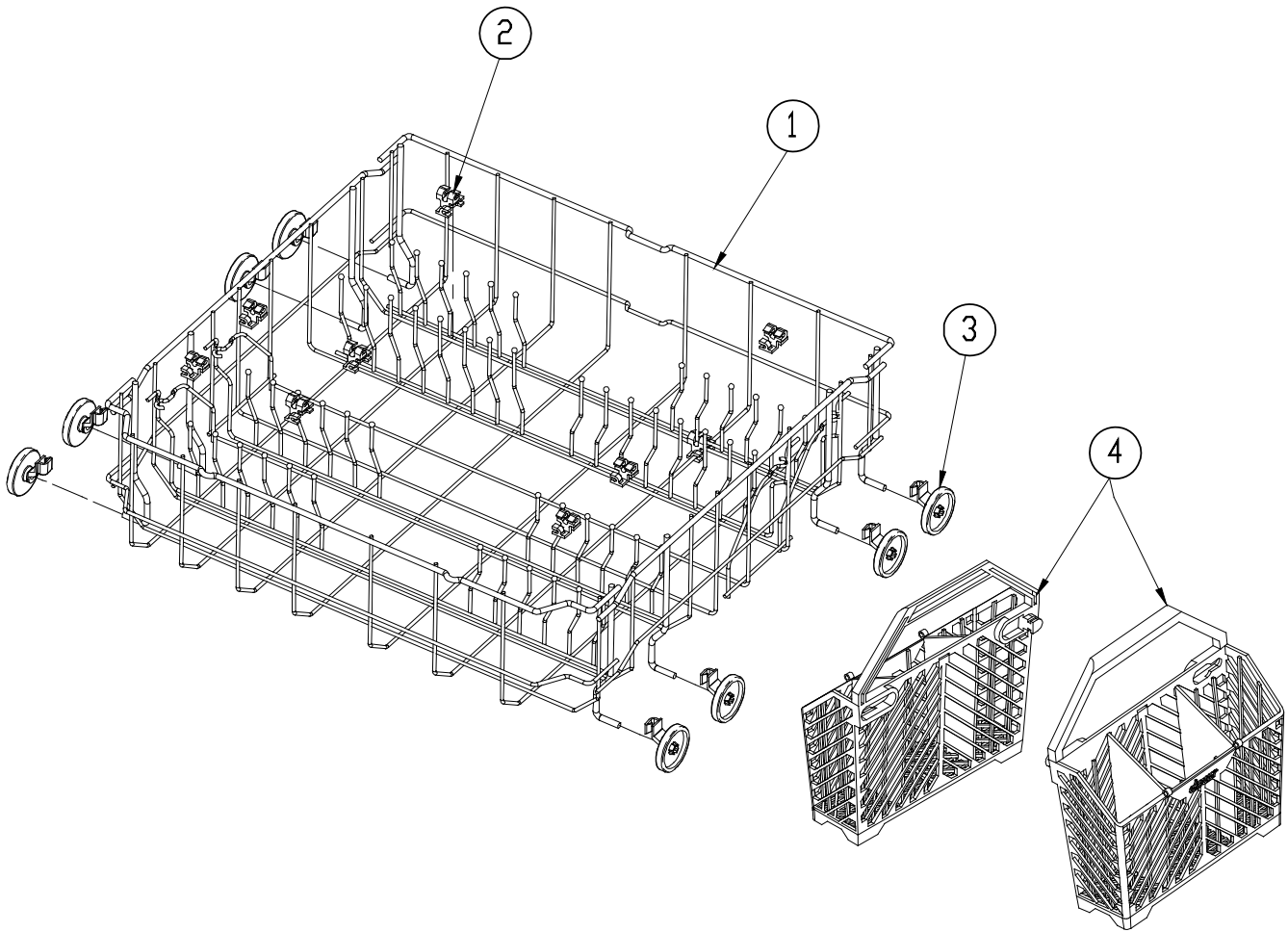
⁴Part number 102548/700775 not used on the following versions:

ED24 - Rev. A and B ID/MDH/MDV/PD24 - Rev. A

The upper rack for the above versions has been redesigned. The above noted versions require replacement of the complete upper rack assembly with slides attached, part number 106543-02. If the rack and slides have not been replaced previously, retro-fit kit, part number 106544, is also required to install the new rack assembly.

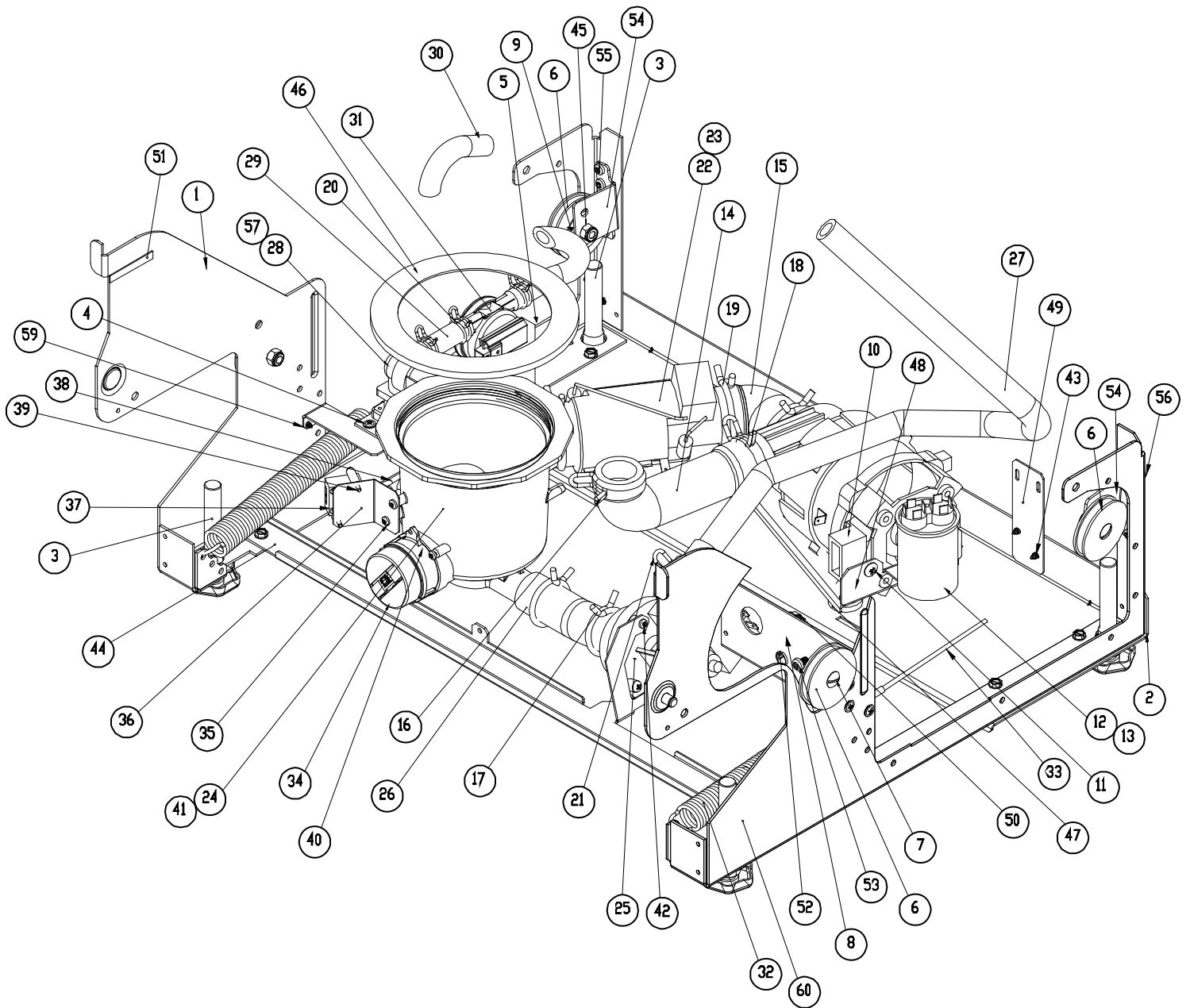


ED/ID/MDH/MDV/PD24 Lower Rack Assembly



Item	Part #	Description
1	101545 ¹	Rack, Lower, 24 Inch ¹
2	72080	Holder, Tine Type A
3	92285	Assy, Lower Rollers
4	72593	Assy, Silverware Basket (order 2 for complete set)
¹ For complete assembly, order kit # 700501, includes items 1, 2 and 3.		

ED/ID/MDH/MDV/PD24 Base Assembly



ED/ID/MDH/MDV/PD24 Base Parts

Item	Part #	Description
1	N/A	Weldment, Base Sides, Left
2	N/A	Weldment, Base, Rear
3	101546	Leg, Leveler
4	83571	Screw, Phil, Round Washer HD
5	101587	Bracket, Flow Meter
6	72359	Pully
7	101541	Screw, Shoulder
8	100941	Bracket, J-Box
9	101902	Washer, Flat - 3/8"
10	72336	Pump, Circulation
11	83609	Screw, TRS Tap T, #10 x 3/8"
12	72337	Capacitor
13	83660	Nut, M8-1.25 Keps Zinc
14	92241	Hose, Main Pump to Wash Arm
15	72098	Hose, Main Pump to Heater
16	101713	Hose Clamp Wire, 1.33
17	101712	Hose Clamp Wire, 1.21
18	101714	Hose Clamp Wire, 1.48
19	101715	Hose Clamp Wire, 1.72
20	101716	Hose Clamp Wire, .46
21	101708	Hose Clamp Wire, 1.10
22	72094	Heater
23	72099	Hose, Heater to Sump
24	92108 ²	Sump ²
25	101597	Pump, Drain
26	92063	Hose, Sump to Drain
27	72101	Drain Hose
28	101573 ⁴	Inlet Valve ⁴
29	101581	Hose, Inlet Valve
30	101582	Hose, Flow Meter
31	101584	Flow Meter
32	101709	Spring, Hooked End, ED/ID24
32	102320	Spring, Hooked End, MDH/MDV/ PD24

Item	Part #	Description
33	101569	Cable Assy
34	13765 ¹	Assy, Turbidity Sensor ¹
35	83602	Screw, Phil, M3.5 x 10MM
36	46180 ³	Bracket, Pressure Switch ³
37	72978 ³	Pressure Switch ³
38	72473 ³	Hose, Pressure Sensor ³
39	83664	Screw, Pan HD Type B, #4 x 1"
40	92045 ¹	O-Ring ¹
41	92259	Valve, Check Sump
42	83653	Screw, Hi Lo Phil, #8 x 1/2"
43	83023	Screw, Slot HWH, #10 x 3/8"
44	101518	Support, Drain Pump
45	83582	Nut, Nylon 1/4-20
46	72464 ²	Gasket, Sump ²
47	72096	Support, Pump
48	102022	Bracket, Support
49	102030	Bracket, DP Hose
50	83701	Tie, Cable, 3/16 x 8"
51	83240	Tape, Foam
52	83523	Bushing, 3/8" Hole
53	100462	Screw, #10-32 x 1/2"
54	102225	Bracket, Pulley
55	83341	Screw, Phil Pan, #8-32 x 5/16"
56	83048	Nut, Keps #8-32
57	83714	Elbow, Inlet Valve to Braided Hose
58	N/A	Label
59	102353	Bracket, Inlet Valve
60	101293-1B	Weldment, Base Sides, Right
61	83456	Bracket, Front Leveler
-	701106	Spring Kit, Decorative Panel (set of 2, not shown)

¹Must be ordered as kit # 700992 (includes items 34 and 40).

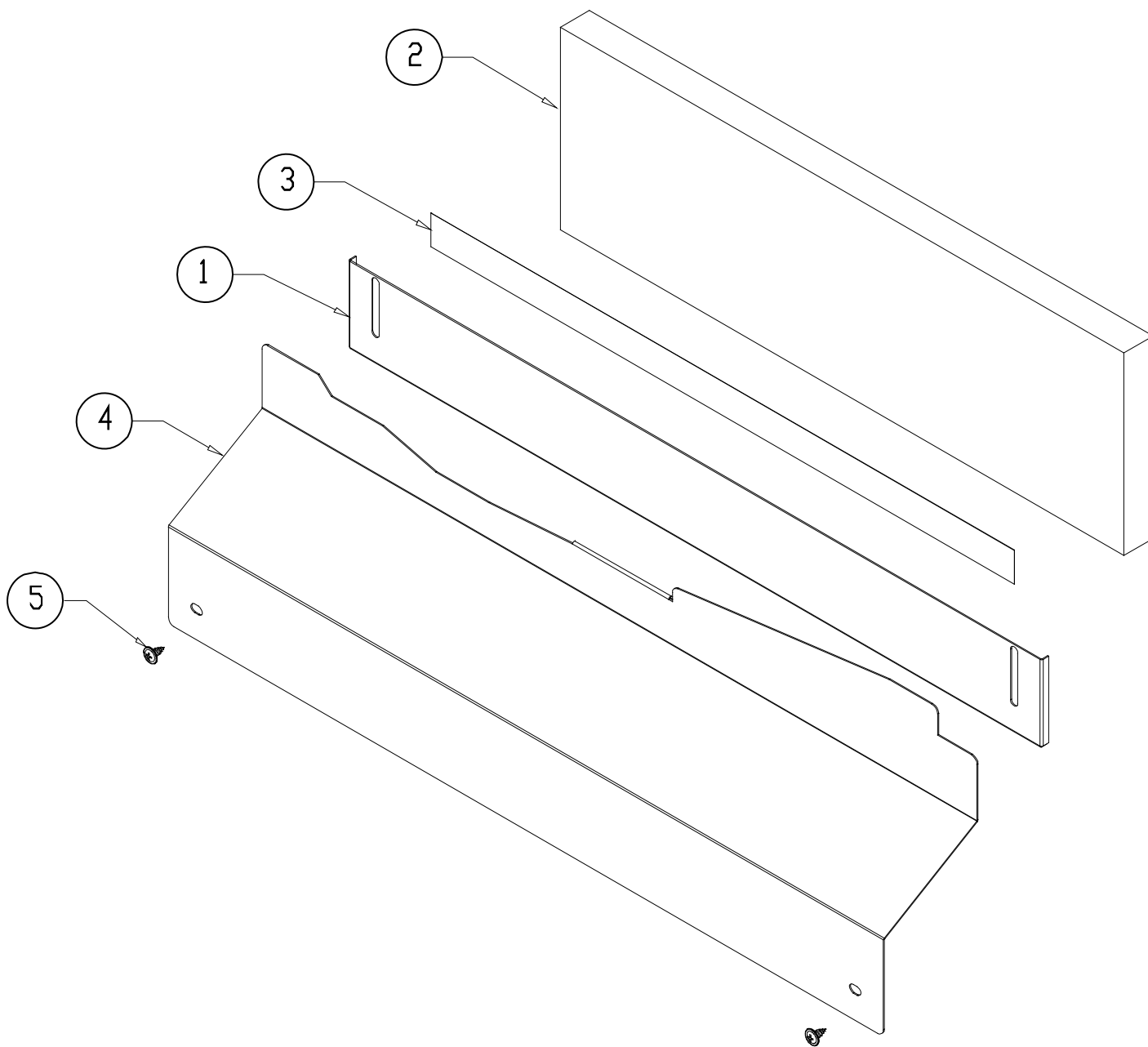
²Must be ordered as kit # 700993 (includes items 24, 46 and sump locking nut).

³Must be ordered as kit # 100555 (includes items 36, 37, 38 and 2 screws).

⁴Must be ordered as kit # 701033 (includes item 28 (inlet valve), bracket and 2 screws).



ED/ID/MDH/MDV/PD24 Toe Kick Assembly



Item	Part #	Description
1	101591B	Toe Kick Extender
2	102122	Toe Kick Foam
3	100374	Tape, 3M
4	700621	Assy, Base Cover Plate
5	83263	Screw, #8 x 3/8", Blk Zinc