

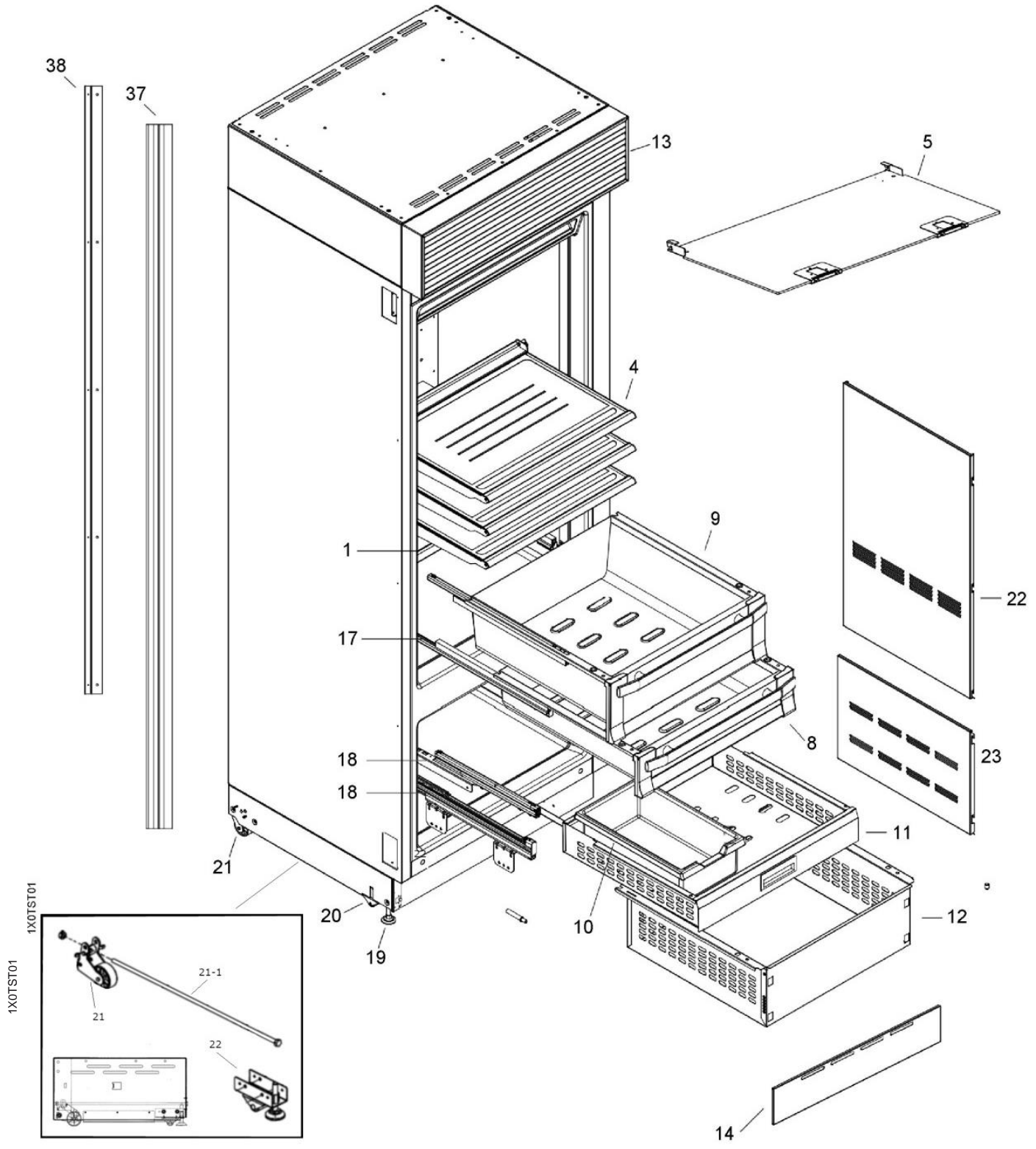


Spare Parts Information



Fridge Freezer Model
DYF36BFTSR - DYF36BFTSL

DYF36BFTSR / DYF36BFTSL - Cabinet Parts (view 1)

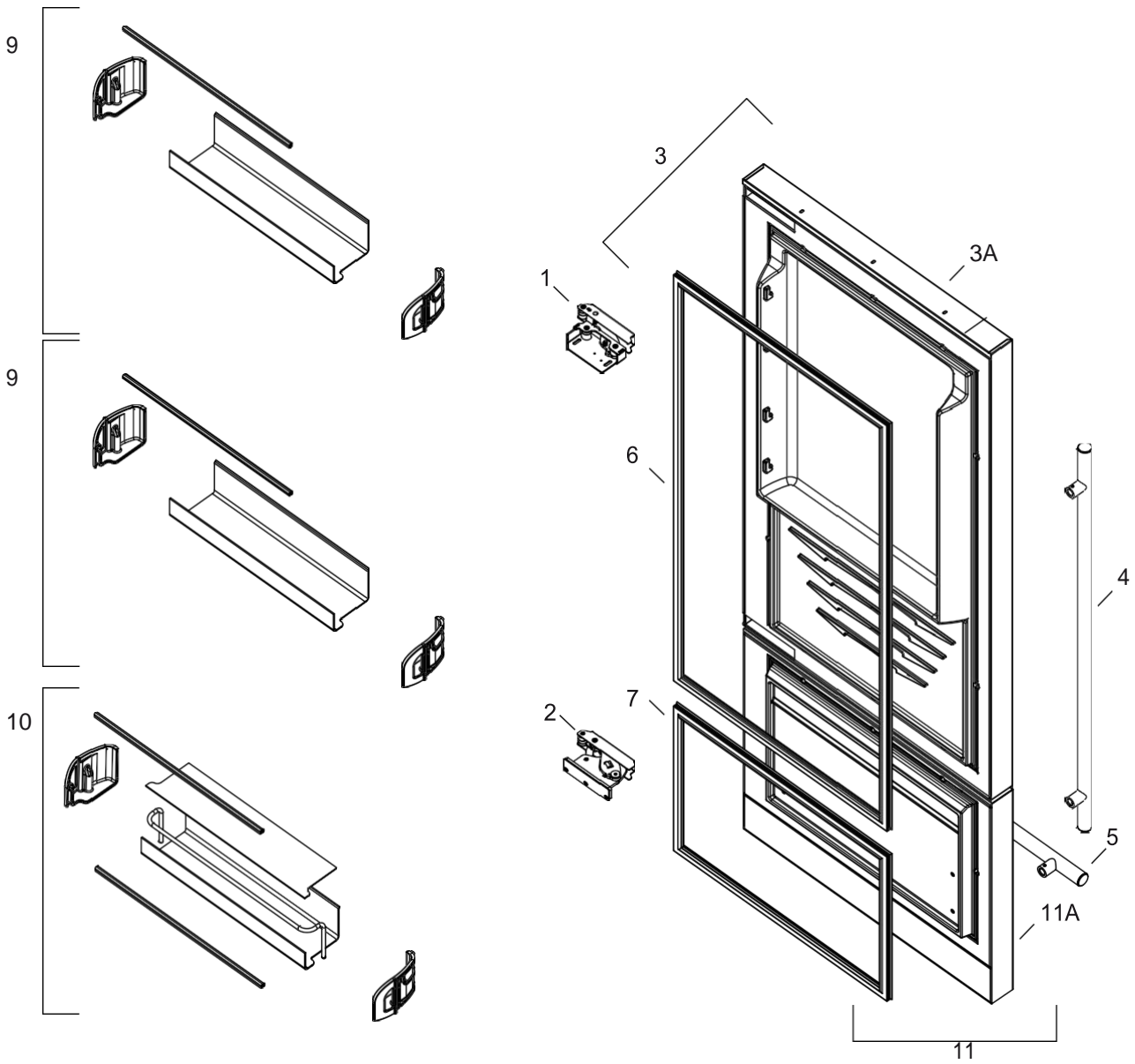


Cabinet Parts List

REFERENCE #	DACOR PART#	DESCRIPTION
1	108994	Glass Shelf – full size 0T S899
4	108995	Separator glass – shelf S899 0T
5	108996	Ceiling glass complete S899
8	108997	Low temperature drawer, small S899
9	108998	Low temperature drawer, large S899
10	108933	Plastic Ice tray
11	108999	TriMode drawer (top) S899
12	109000	TriMode drawer (bottom) S899
13	109035	Front ventilation grille XPRO 899
14	109036	Kick plate front X/M 899
17	108937	Sliding Guide for low temperature drawer, small/large R
17	108938	Sliding Guide for low temperature drawer, small/large L
18	108939	Sliding Guide for Trimode drawer (lower) L
18	108940	Sliding Guide for Trimode drawer (upper) L
18	108941	Sliding Guide for Trimode drawer (lower) R
18	108942	Sliding Guide for Trimode drawer (upper) R
19	108943	Adjustable foot
20	108944	Front wheel, complete
21	108945	Rear wheel, complete
21	112184	Rod, Balance Bar
22	108946	Upper conveyor S 0T
23	108947	Lower conveyor S 0T
37	109027	Anodized aluminium joining strip cover LH
37	109028	Anodized aluminium joining strip cover RH
38	109037	Aluminium joining strip

DYF36BFTS

DYF36BFTSR / DYF36BFTSL - Door Parts (view 2)



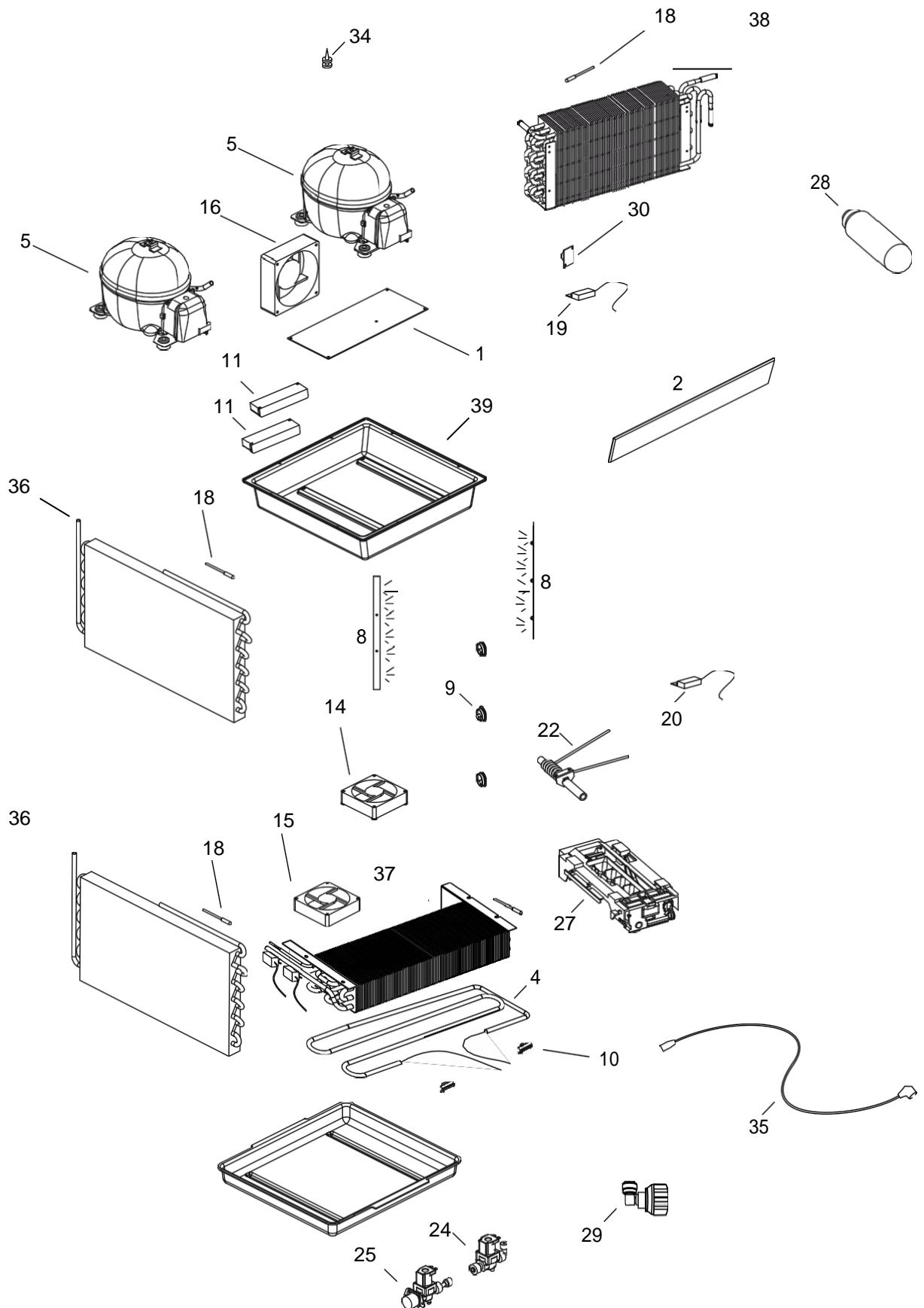
2K11TST00

Cabinet Parts List

REFERENCE #	DACOR PART#	DESCRIPTION
1	108951	Dorr hinge, upper RH
1	108952	Dorr hinge, upper LH
2	108953	Dorr hinge, lower RH
2	108954	Dorr hinge, lower LH
3	109038	Door with magnetic gasket - without shelves 899 RH
3	109039	Door with magnetic gasket - without shelves 899 LH
3A	109040	Door panel XPRO 899
4		Vertical Handle
5		Horizontal Handle 899
6	109007	Magnetic gasket door 899
7	109008	Magnetic gasket large basket 899
9	112329	Door bins
10	108931	Door bin, bottles
11	109041	Large basket front with magnetic gasket 899 RH
11	109042	Large basket front with magnetic gasket 899 LH
11A	109043	Drawer panel XPRO 899

DYF36BFTS

DYF36BFTSR / DYF36BFTSL - Functional Parts (view 3)



3MOTST00 UL

Functional Parts List

REFERENCE #	DACOR PART#	DESCRIPTION
1	108967	Main electronic board - Fridge, 2 zones
2	109013	User interface, main complete, glass front 899
4	109014	Defrost heater
5	108970	Compressor, Refrigerator VEMY3H with inverter
5	108971	Compressor, Refrigerator VEMY5H with inverter
8	108972	LED Light strip, 3 LED
9	108973	LED complete, for steel plate - brill
10	108974	LED complete, for plastic - brill
11	108975	LED power supply, 3 LED
11	108976	LED power supply, 15 LED
14	108977	Fan unit air circulation, upper
15	108978	Fan unit, freezer circulator
16	108979	Condenser cooling fan
18	108980	NTC temperature probe
19	108981	Electromechanical switch fridge
20	108982	Electromechanical switch freezer
22	108983	Anti-Ice Heater for IceMaker
24	108984	Solenoid Valve, Water Fill
25	108985	Solenoid Valve, Water Fill (safety)
27	108986	Ice Maker Sankyo
28	ABFF2	Water Filter
29	108988	Water Fill Hose
30	108989	Buzzer
31	108990	Temperature limiter, freezer defrost
32	108991	Dehydrator filter
34	108992	Fan Fixing Rubber Plug (all Fans) 12 pcs
35	108993	Main cable
36	112233	Upper Evaporator
37	109972	Lower evaporator
38	112232	Condenser
39	112231	Cover board w/Led