



The Life of the Kitchen.®

# PARTS CATALOG

## DWO Warming Oven

**IMPORTANT:** This product may have some parts that are **No Longer Available (NLA)**. If the part you need is no longer available, please contact Dacor for a possible solution:

### DACOR CARES PROGRAM NLA Part Locator Service

**Customer Contact Number:**

(800) 793-0093 ex. 2813  
Hours: 6:00 AM - 5:00 PM Pacific Time

**Service Agent/Technician Contact Number:**

(800) 793-0093 ex. 3814  
Hours: 7:00 AM - 4:00 PM Pacific Time

**Web Inquiries:** [www.dacor.com/dacorcares](http://www.dacor.com/dacorcares) **Email Inquiries:** [dacorcares@dacor.com](mailto:dacorcares@dacor.com)

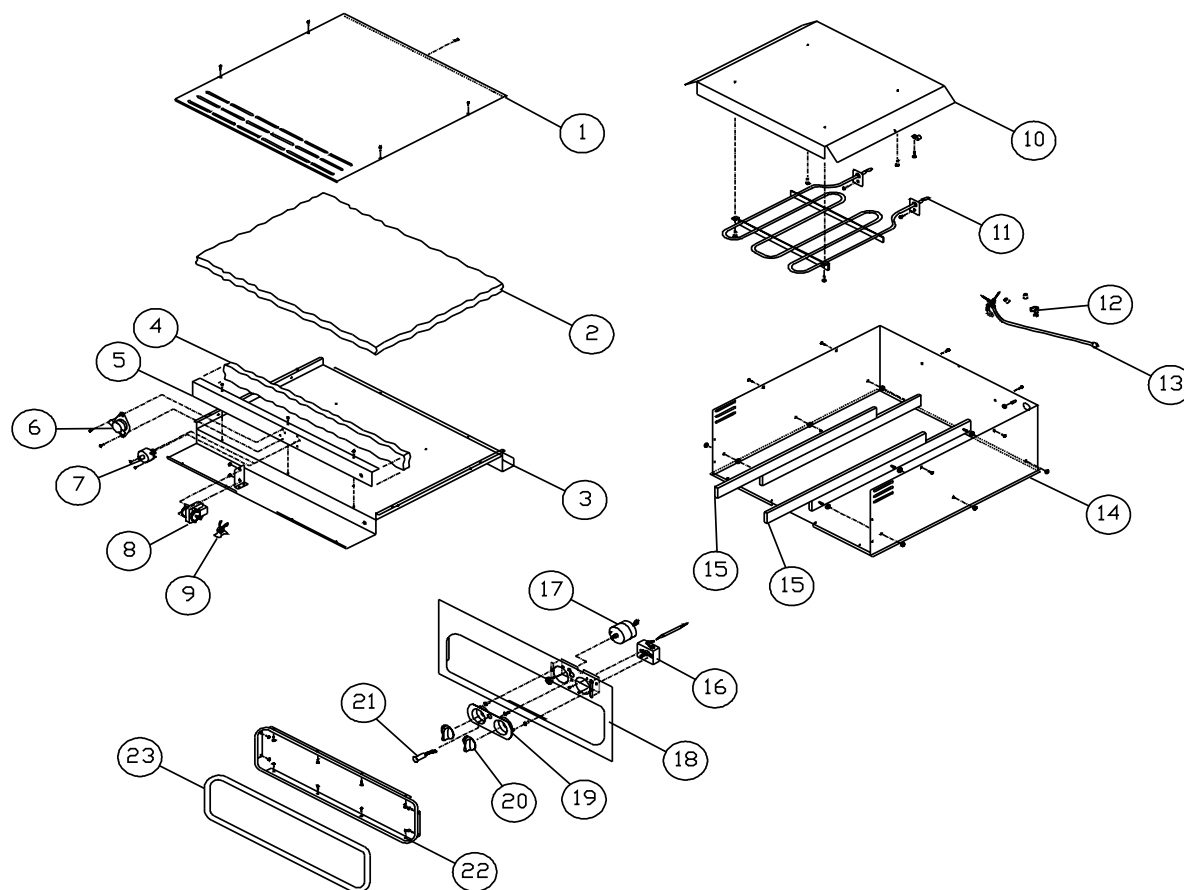
Please provide the following information:

- Your name and phone number
- Product model number
- Product serial number
- The part number(s) you need

Page	Description
2	Chassis Assembly
3	Drawer Assembly

Revised 08-18-2014

# DWO - Warming Oven Chassis



Item	Description	DWO24	DWO27	DWO30
1	Top Cover	26667	26671	26671
2	Top Insulation	82624	82626	82626
3	Top Can Assembly	27221	27222	27222
4	Control Insulation	82625	82627	82627
5	Insulation Cover	26672	26673	26673
6	Thermal Fan Switch	82354	82354	82354
7	High Temperature Limit	82353	82353	82353
8	Cooling Fan Motor	82276	82276	82276
9	Cooling Fan Blade	82277	82277	82277
10	Reflector	26668	26668	26668
11	Heating Element	82351	82351	82351
12	Bushing, Strain Relief	83141	83141	83141
13	Power Supply Cord	82562	82562	82562
14	Cabinet Weldment	27206	27204	27204
15	Slide Kit	702146*	702146*	702146*

Item	Description	DWO24	DWO27	DWO30
16	Thermostat	82270	82270	82270
17	Timer Assy	13169	13169	13169
18	Front Frame	27215 A/B/R/W	27216 A/B/R/W	27216 B/R
19	Bezel, Control Panel	82257 B/G	82257 B/G	82257 B/G
20	Knob, Timer/Temp. Control	82267 B/G	82267 B/G	82267 B/G
21	Indicator Light	82262	82262	82262
22	Gasket Retaining Trim	26680	26681	26681
23	Gasket, Drawer	82271 G	82280 G	82280 G
24	Thermostat Clip**	83436	83436	83436
25	Wire Harness Assembly**	62629	62629	62629

Color Key: A = aluminum B = black, G = gray R = arctic, W = white

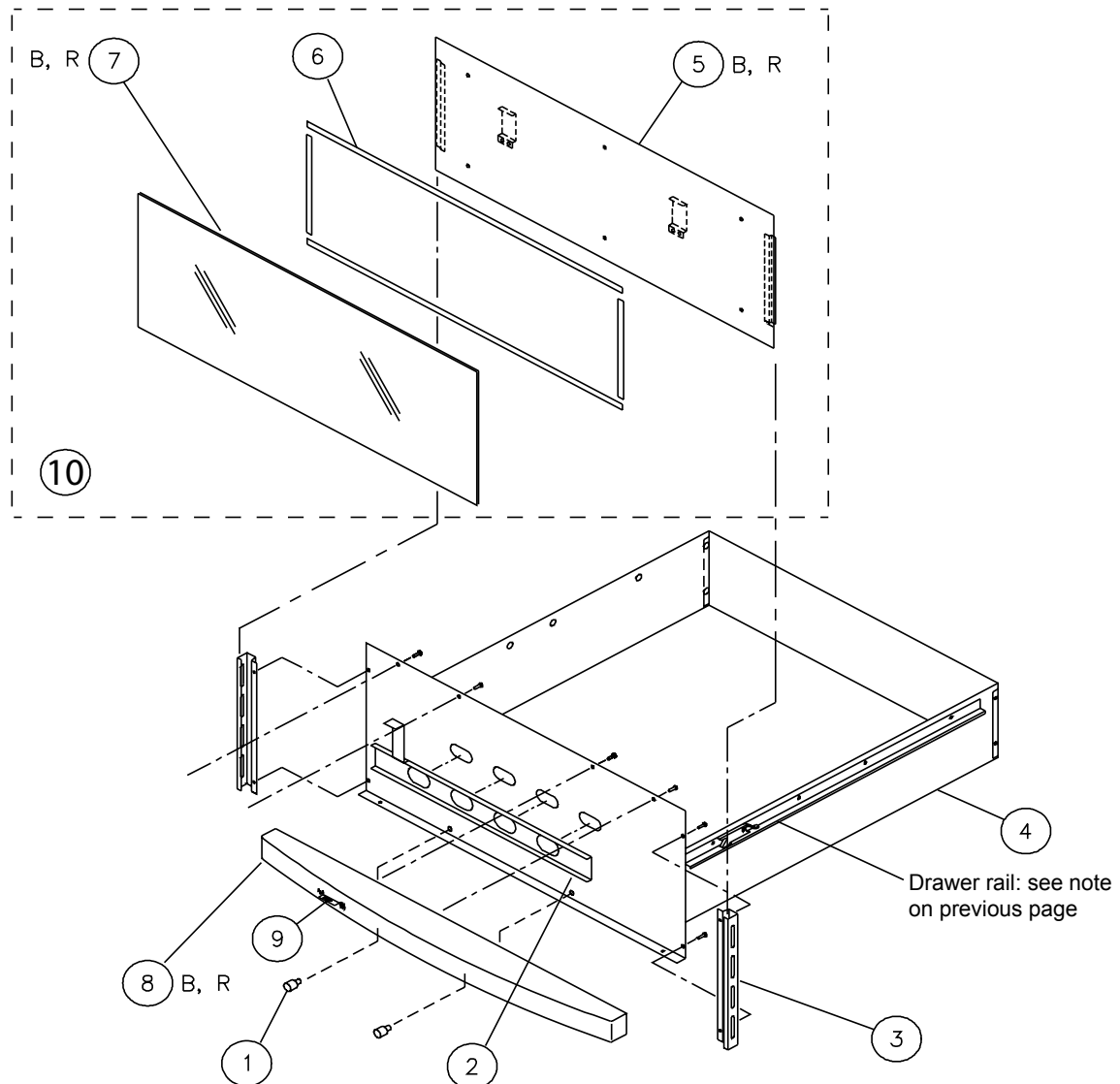
\*\* Not Shown

\* The original slides for this appliance have been discontinued. Slide kit 702146 includes 2 new slides of a different design. Installation of the new slides requires replacement of the drawer rails (also included, see following page for location) for a proper fit.

Part no longer available? Contact Dacor:  
(800) 793-0093 ex 3814



# DWO - Drawer Assembly



Item	Description	DWO24	DWO27	DWO30
1	Rubber Bumper, Snap - In	83578	83578	83578
2	Damper Slide Assembly	27217	27218	27218
3	Side Post	82352 A/B/R/W	82352 A/B/R/W	82352 A/B/R/W
4	Assy., Drawer	13001	13002	13189
5	Assy., Glass Backing Panel	27213 A/B/R/W	27214 A/B/R/W	27290 B/R
6	Tape, Double Sided	83224	83224	83224
7	Drawer Front Glass	82273 A/B/R/W	82274 A/B/R/W	82517 B/R
8	Handle	82259 A/B/R/W	82260 A/B/R/W	62331 B/R
9	Knob, Damper	82266G	82266G	82266G
10	Assembly, Glass Front	86586 A/B/R/S/W	86587 A/B/R/S/W	86588 B/R/S
11	Stainless Facia**	26678	26679	36014

Color Key: A = aluminum B = black, R = arctic, S = Stainless, W = white

\* Includes items 5, 6 and 7

\*\* Not Shown

Part no longer available? Contact Dacor:  
(800) 793-0093 ex 3814