

The Dacor logo is rendered in a bold, italicized, sans-serif font with a metallic, 3D effect. The letters are dark with a lighter, reflective highlight on the top and left sides, giving it a sleek, modern appearance. A registered trademark symbol (®) is located at the end of the word.

dacor

The Life of the Kitchen.®

A photograph of a white Dacor DRT366 cooktop is shown in a kitchen setting. The cooktop features six burners and a control panel on the left side. A white bowl is placed on one of the burners. The background shows a kitchen counter with various items like a fruit basket and a coffee maker.

PARTS CATALOG

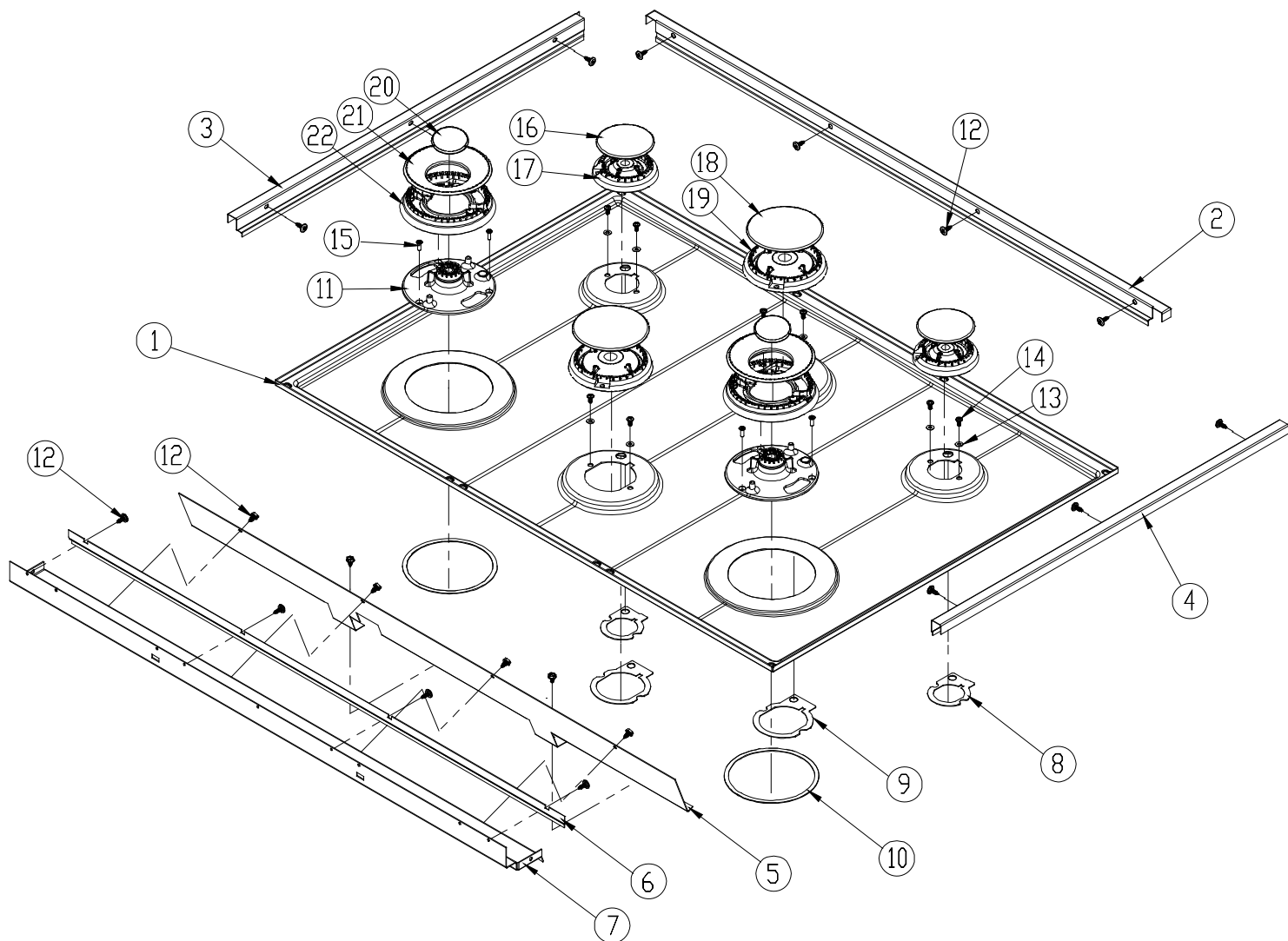
DRT366 Cooktop

Page	Description
2	Upper Assembly
3	Sub-Assembly
4	Manifold Assembly
5	Control Panel Assembly

IMPORTANT: This model is not approved for field conversion from one gas type to another and from one altitude setting to another.

Revised 07-03-2014

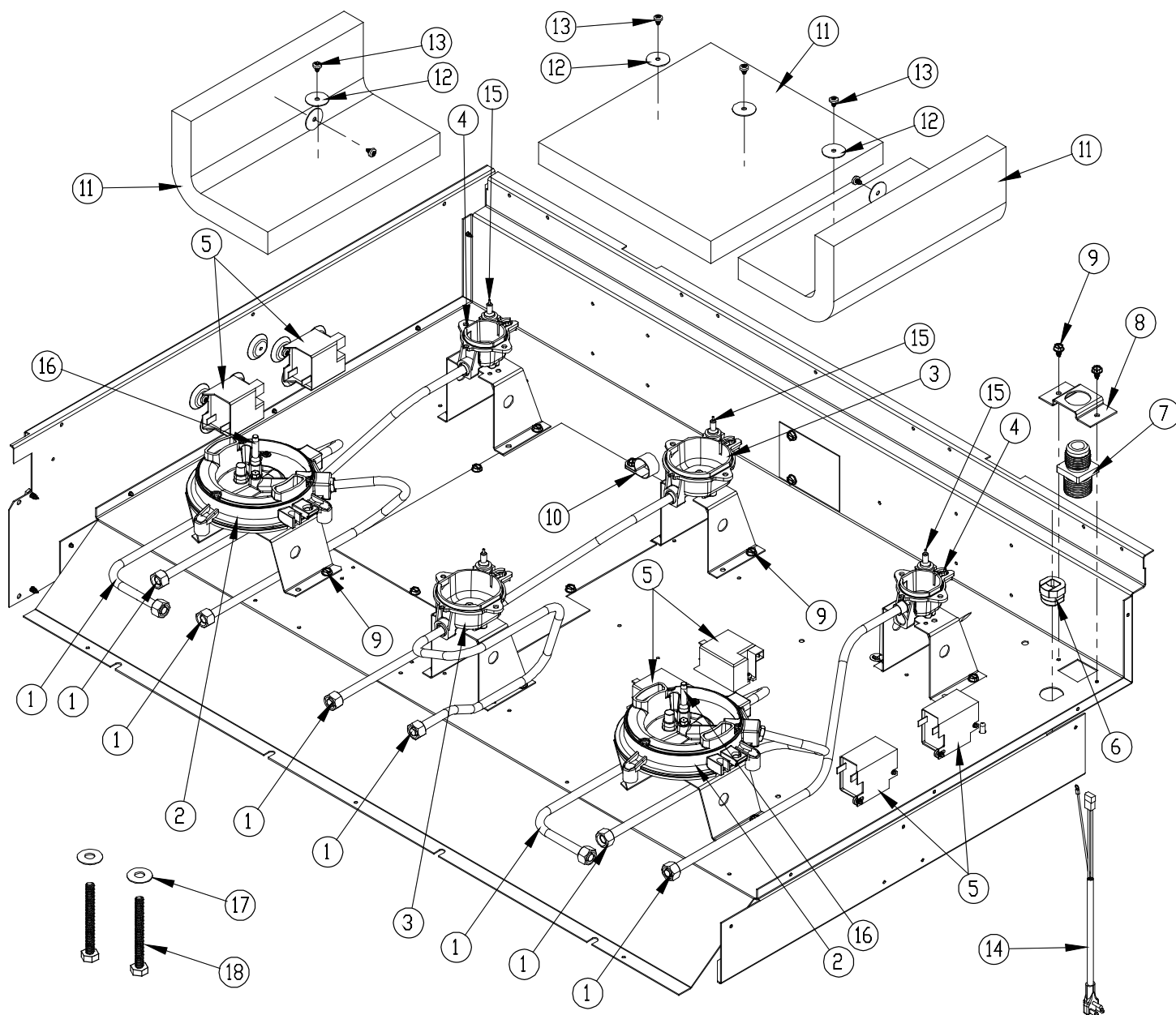
DRT366 Upper Cooktop Assembly



Item	Part #	Description
1	106375BP	Spill Tray
2	106508	Trim, Rear
3	102208-01	Weld, Side Trim, Left
4	102208-02	Weld, Side Trim, Right
5	106506	Shield, Front, Cooktop
6	106418	Trim, Front, Top
7	100906	Channel, Spill Tray Support
8	103551	Gasket, Burner, 9.5k
9	103552	Gasket, Burner, 15k
10	103553	Gasket, Dual Burner, 18k
11	102587	Ring, Burner, Inner, 18k
12	83708	Screw, Trx Wfr HD, #8 x 1/2"
13	83272	Washer, #8 S.S.

Item	Part #	Description
14	103696	Screw, M4 x 8 mm LG.
15	103755	Screw, M4 x 12 mm LG.
16	102593	Cap, Burner, 9.5k
17	102594	Ring, Burner, 9.5k
18	102590	Cap, Burner, 15k
19	102591	Ring, Burner, 15k
20	102585	Cap, Burner, Inner, 18k
21	102586	Cap, Burner, Outer, 18k
22	102588	Ring, Burner, Outer, 18k
-	700037	Grate, 10" x 24" (not shown)
-	701196	Grate, 12" x 24" (not shown)
-	62834	Regulator, NG (not shown)
-	72980	Regulator, LP (not shown)

DRT366 Cooktop Sub-Assembly

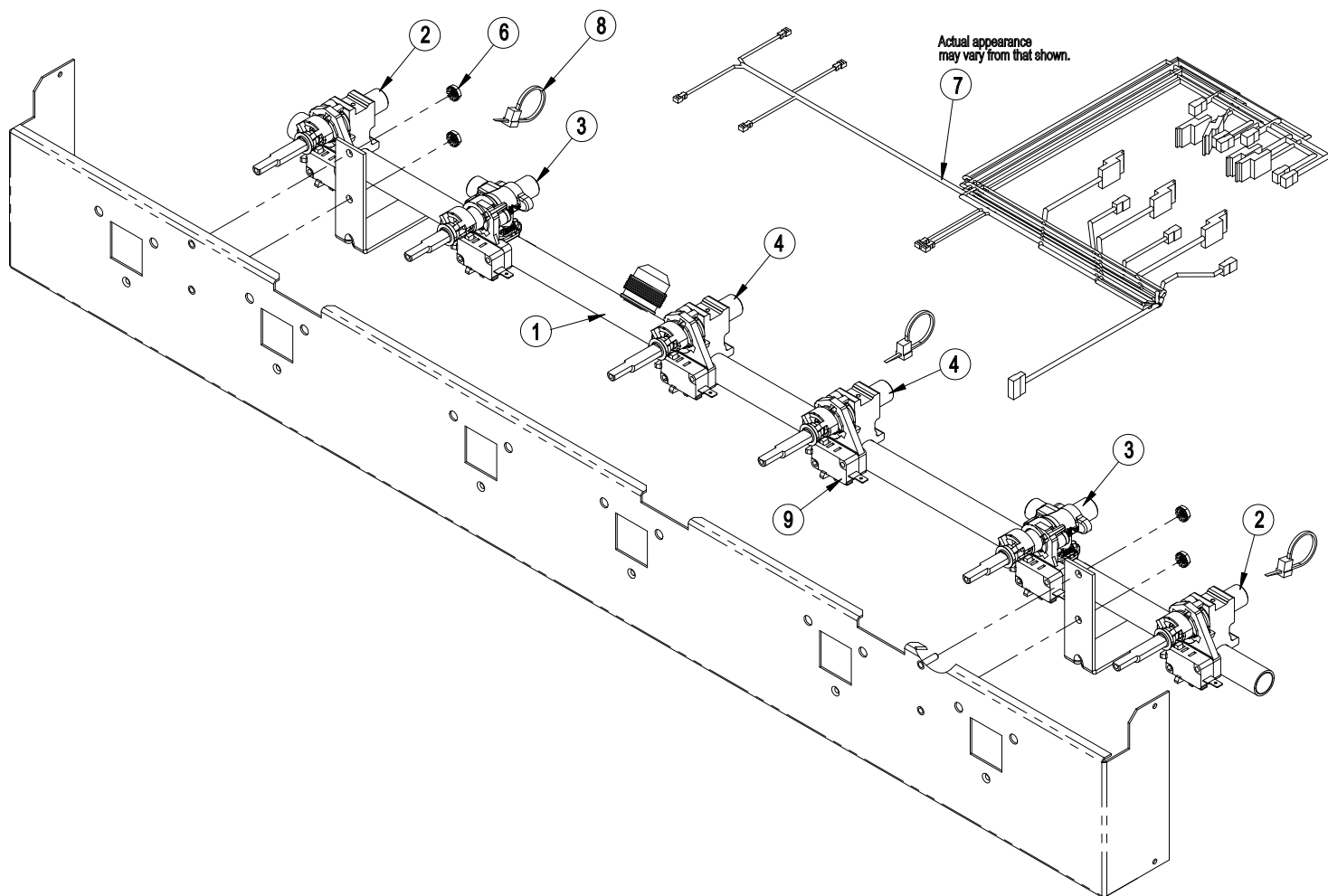


Item	NG PN	LP PN	NGH PN	LPH PN	Description
1	103666	103666	103666	103666	Flex Tube, Cooktop, 5/16, 18"
2	701235-01	701235-02	701235-03	701235-04	Assy, Burner/Support, 18k
3	701234-01	701234-02	701234-03	701234-04	Assy, Burner/Support, 15k
4	701233-01	701233-02	701233-03	701233-04	Assy, Burner/Support, 9.5k
5	72634	72634	72634	72634	Module, Spark
6	83141	83141	83141	83141	Bushing, Strain Relief
7	100760	100760	100760	100760	Connector, Flare
8	101675	101675	101675	101675	Bracket, Adapter
9	83023	83023	83023	83023	Screw, Slot HWH, #10 x 3/8"
10	83167	83167	83167	83167	Clamp, Cable 3/4"

Item	PN	Description
11	100910	Insulation, Igniter Module
12	83533	Washer, .88OD x .165ID
13	83001	Screw, Phil, #8 x 1/4"
14	72765	Cord, Power Supply
15	103686*	Ignitor, Single Burner
16	103661*	Ignitor, Dual Burner
17	83203	Washer, 1/4-20, Flat
18	83383	Bolt, Hold Down (1/4 - 20 X 1 1/2)
19	108132	Spring Clip, Igniter (not shown)

* Does not include spring clip (order item 19)

DRT366 Manifold Assembly



Item	NG Part #	LP Part #	NGH Part #	LPH Part #	Description
1	701232-01	701232-02	701232-03	701232-04	Assy, Manifold w/ Valves
2	103688-10 ¹	103688-11 ²	103688-12 ³	103688-11 ²	Valve, Single, Alum. ⁴
3	103689-01	103689-02	103689-03	103689-04	Valve, Dual, Brass ⁴
4	103688-02	103688-04	103688-06	103688-04	Valve, Single, Alum. ⁴
5	701236	701236	701236	701236	Assy, Sub-Panel w/ Studs
6	83308	83308	83308	83308	Nut, Keps, #6-32
7	106580	106580	106580	106580	Wire Harness
8	83138	83138	83138	83138	Tie, Cable
9	103789	103789	103789	103789	Switch, Micro (valve)

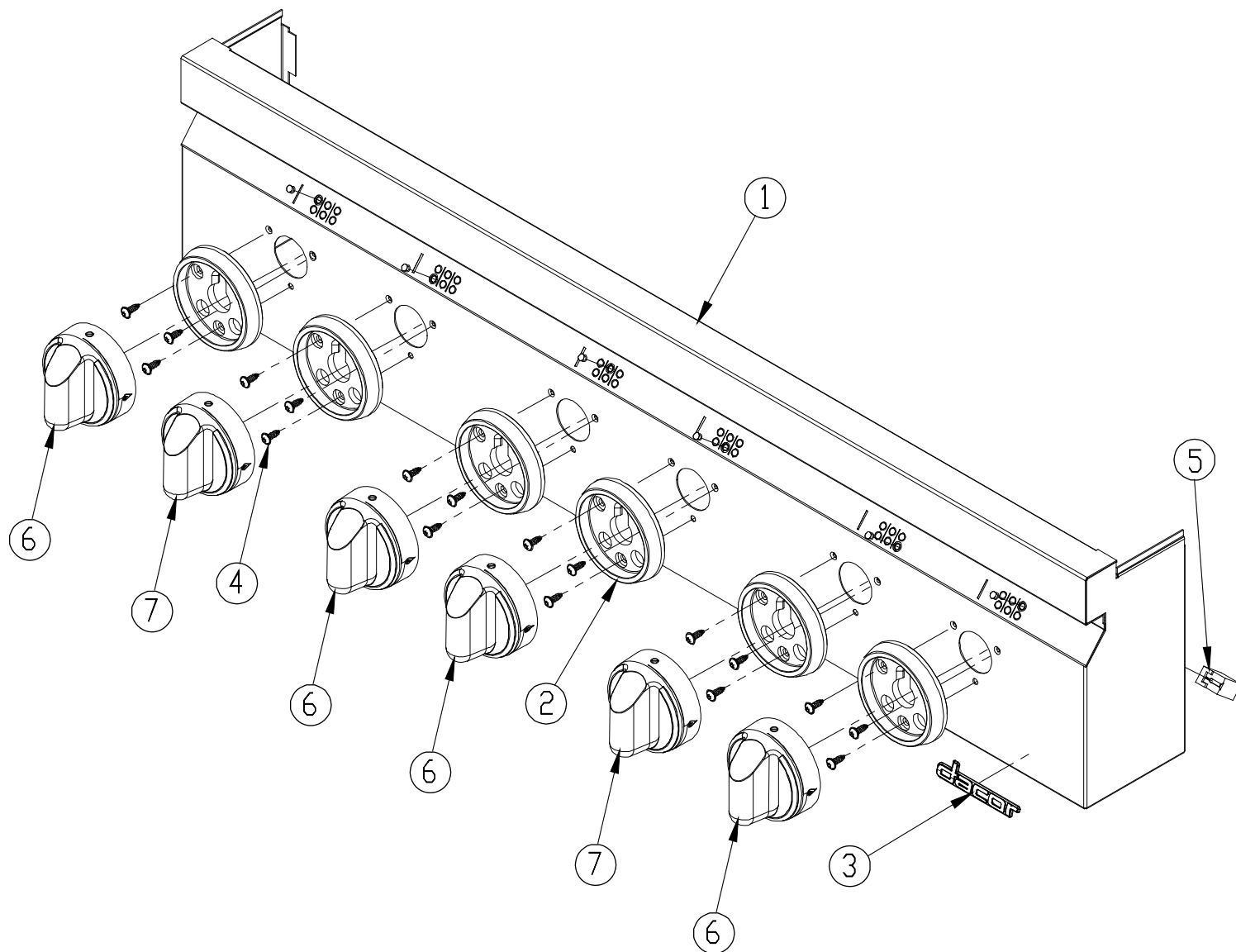
¹Use part number 103688-01 on Rev A cooktops.

²Use part number 103688-03 on Rev A and B cooktops.

³Use part number 103688-05 on Rev A and B cooktops.

⁴Includes item 9

DRT366 Control Panel Assembly



Item	Part #	Description
1	701487	Control Panel, Etched, 36"
2	100122CH	Trim Ring, Epicure, Chrome
3	72510CH	Dacor Logo, 3"
4	83709	Screw, Trx Wfr HD, #8 x 1/2"
5	62036	Indicator Light, Blue
6	106575-04	Knob, Single, Black
	105377-04	Knob, Single, Metallic
7	106575-05	Knob, Dual, Black
	105377-05	Knob, Dual, Metallic