

The Dacor logo is rendered in a bold, italicized, sans-serif font with a metallic, 3D effect. The letters are dark with a lighter, reflective highlight on the top and left sides, giving it a sleek, modern appearance.

The Life of the Kitchen.®

A photograph of a white Dacor DRT304 cooktop installed in a kitchen. The cooktop features five burners and a control panel on the left side. A white bowl is placed on one of the burners. The background shows a kitchen counter with various items like a fruit basket and a coffee maker.

PARTS CATALOG

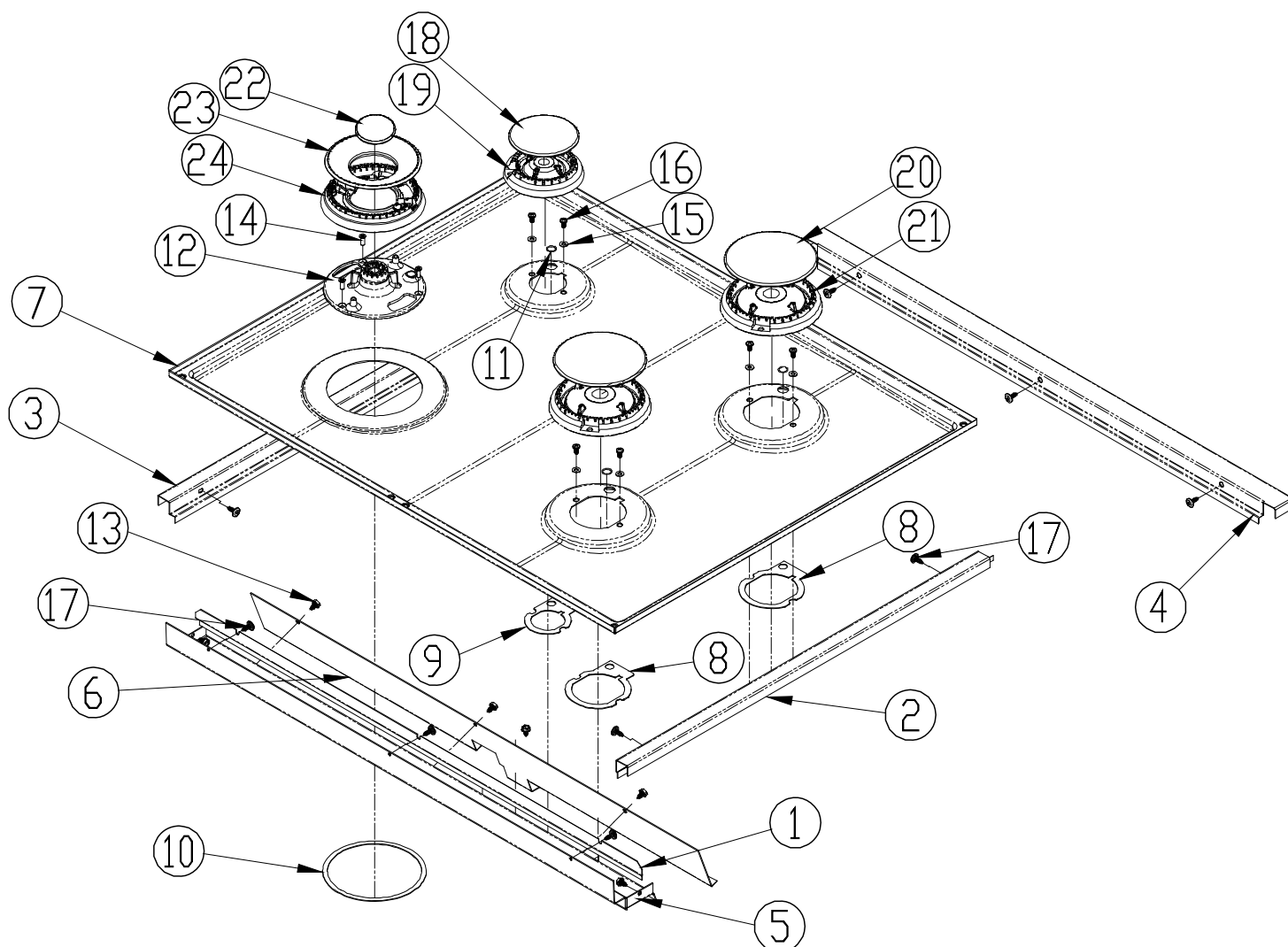
DRT304 Cooktop

Page	Description
2	Upper Assembly
3	Sub-Assembly
4	Manifold Assembly
5	Control Panel Assembly

IMPORTANT: This model is not approved for field conversion from one gas type to another and from one altitude setting to another.

Revised 07-02-2014

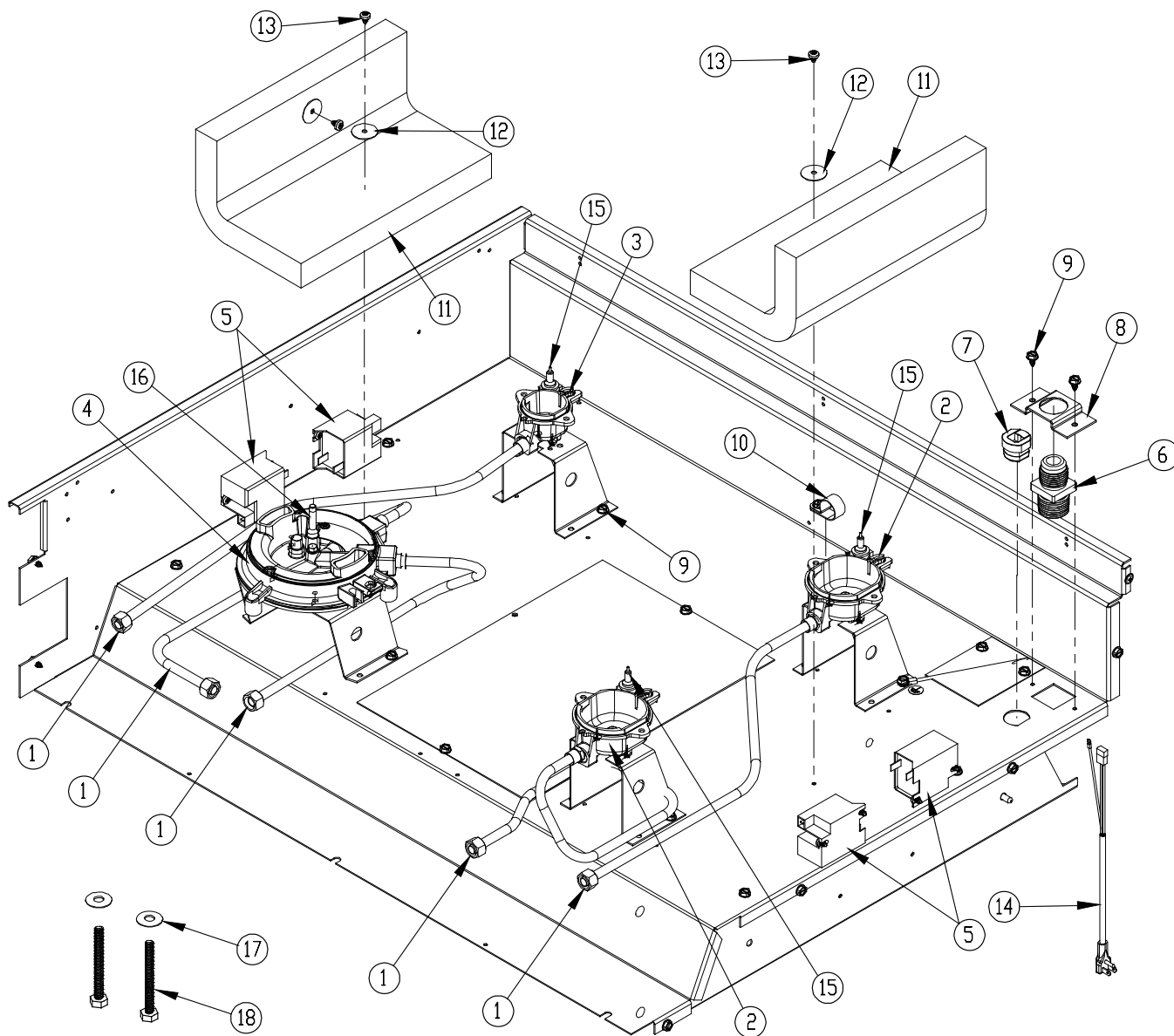
DRT304 Upper Cooktop Assembly



Item	Part #	Description
1	100973	Trim, Front
2	701239-02	Weld, Side Trim, Right
3	701239-01	Weld, Side Trim, Left
4	106517	Trim, Rear
5	100975	Support, Spill Tray, Front
6	106513	Shield, Front, Cooktop
7	102596BP	Spill Tray
8	103552	Gasket, Burner, 15k
9	103551	Gasket, Burner, 9.5k
10	103553	Gasket, Burner, Dual, 18k
11	103554	"O" Ring, Burner, 9.5k/15k
12	102587	Ring, Burner, Inner, 18k
13	83023	Screw, Slot HWH, #10 x 3/8"

Ref #	Part #	Description
14	103755	Screw, M4 x 12 mm Lg.
15	83272	Flat Washer, #8 S.S.
16	103696	Screw, M4 x 8 mm Lg.
17	83708	Screw, Torx Wafer HD, #8 x 1/2"
18	102593	Cap, Burner, 9.5k
19	102594	Ring, Burner, 9.5k
20	102590	Cap, Burner, 15k
21	102591	Ring, Burner, 15k
22	102585	Cap, Burner, Inner, 18k
23	102586	Cap, Burner, Outer, 18k
24	102588	Ring, Burner, Outer, 18k
-	101524	Grate, 14" x 23" (not shown)
-	62834	Regulator, NG (not shown)
-	72980	Regulator, LP (not shown)

DRT304 Cooktop Sub-Assembly

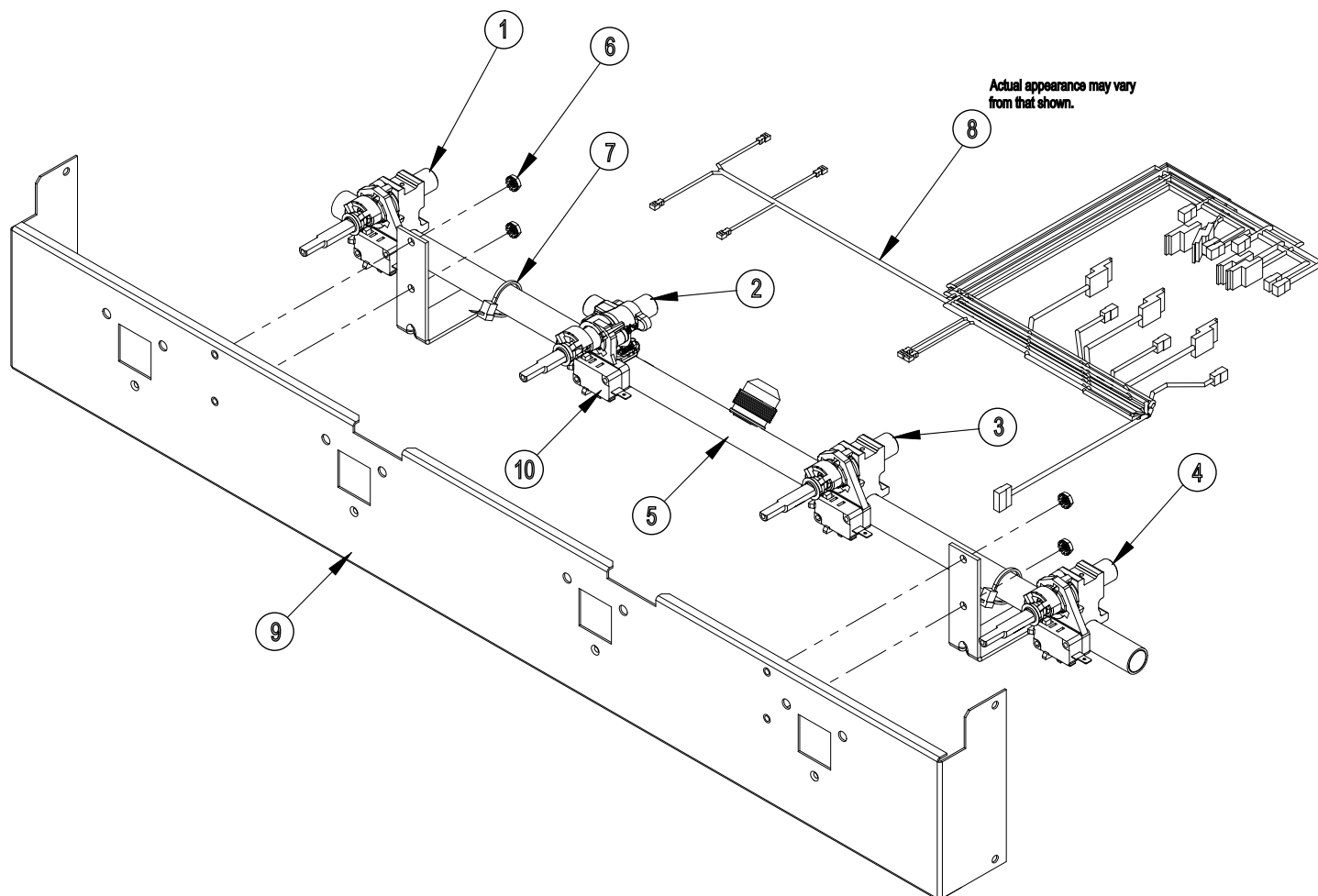


Item	NG PN	LP PN	NGH PN	LPH PN	Description
1	103666	103666	103666	103666	Flex Tube, Cooktop, 5/16, 18"
2	701234-01	701234-02	701234-03	701234-04	Assy, Burner/Support, 15k
3	701233-01	701233-02	701233-03	701233-04	Assy, Burner/Support, 9.5k
4	701235-01	701235-02	701235-03	701235-04	Assy, Burner/Support, 18k
5	72634	72634	72634	72634	Module, Spark
6	100760	100760	100760	100760	Connector, Flare
7	83141	83141	83141	83141	Bushing, Strain Relief
8	101675	101675	101675	101675	Bracket, Adapter
9	83023	83023	83023	83023	Screw, Slot HWH, #10 x 3/8"
10	83167	83167	83167	83167	Clamp, Cable 3/4"

Item	PN	Description
11	100910	Insulation, Igniter Module
12	83533	Washer, .88 OD x .165 ID
13	83001	Screw, Phil, #8 x 1/4"
14	72765	Power Supply Cord
15	103686*	Ignitor, Single Burner
16	103661*	Ignitor, Dual Burner
15	83203	Washer, 1/4-20, Flat
16	83383	Bolt, Hold Down (1/4 - 20 X 1 1/2)
17	108132	Spring Clip, Igniter (not shown)

* Does not include spring clip (order item 17)

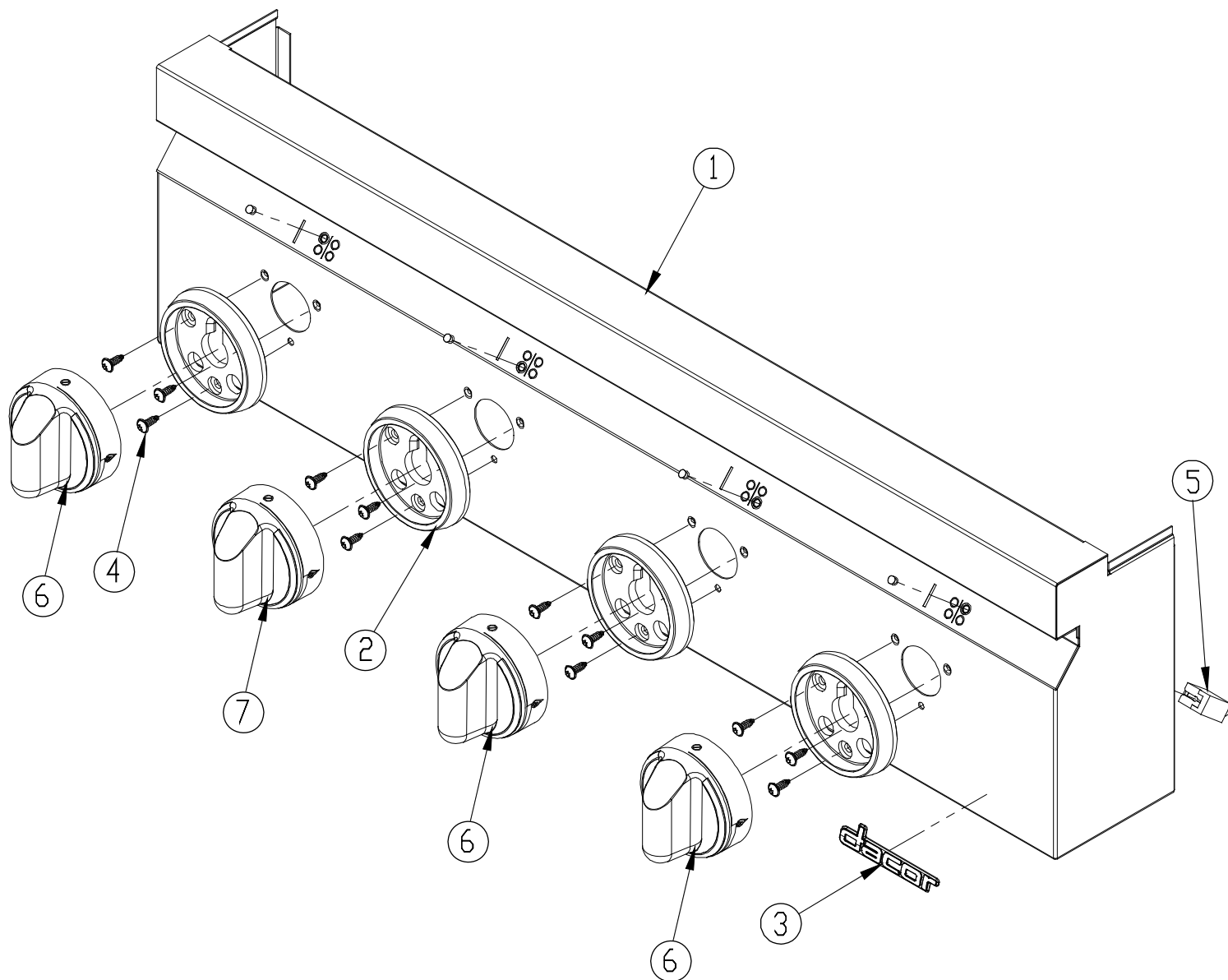
DRT304 Manifold Assembly



Item	NG Part #	LP Part #	NGH Part #	LPH Part #	Description
1	103688-01	103688-03	103688-05	103688-03	Valve, Single, Alum.*
2	103689-01	103689-02	103689-03	103689-04	Valve, Dual, Brass*
3	103688-02	103688-04	103688-06	103688-04	Valve, Single, Alum.*
4	103688-02	103688-04	103688-06	103688-04	Valve, Single, Alum.*
5	701241-01	701241-02	701271-03	701241-04	Asy, Manifold w/ Valves
6	83308	83308	83308	83308	Nut, Keps, #6-32
7	83138	83138	83138	83138	Tie, Cable
8	106518	106518	106518	106518	Wire Harness
9	701242	701242	701242	701242	Stud, Sub-Panel
10	103789	103789	103789	103789	Switch, Micro (valve)

* Includes item 10

DRT304 Control Panel Assembly



Item	Part #	Description
1	105481	Control Panel, Etched, 30"
2	100122CH	Trim Ring, Epicure, Chrome
3	72510CH	Dacor Logo, Small
4	83709	Screw, Trx Wfr HD, #8 x 1/2", Blk
5	62036	Indicator Light, Blue
6	106575-04	Knob, Single, Black
	105377-04	Knob, Single, Metallic
7	106575-05	Knob, Dual, Black
	105377-05	Knob, Dual, Metallic