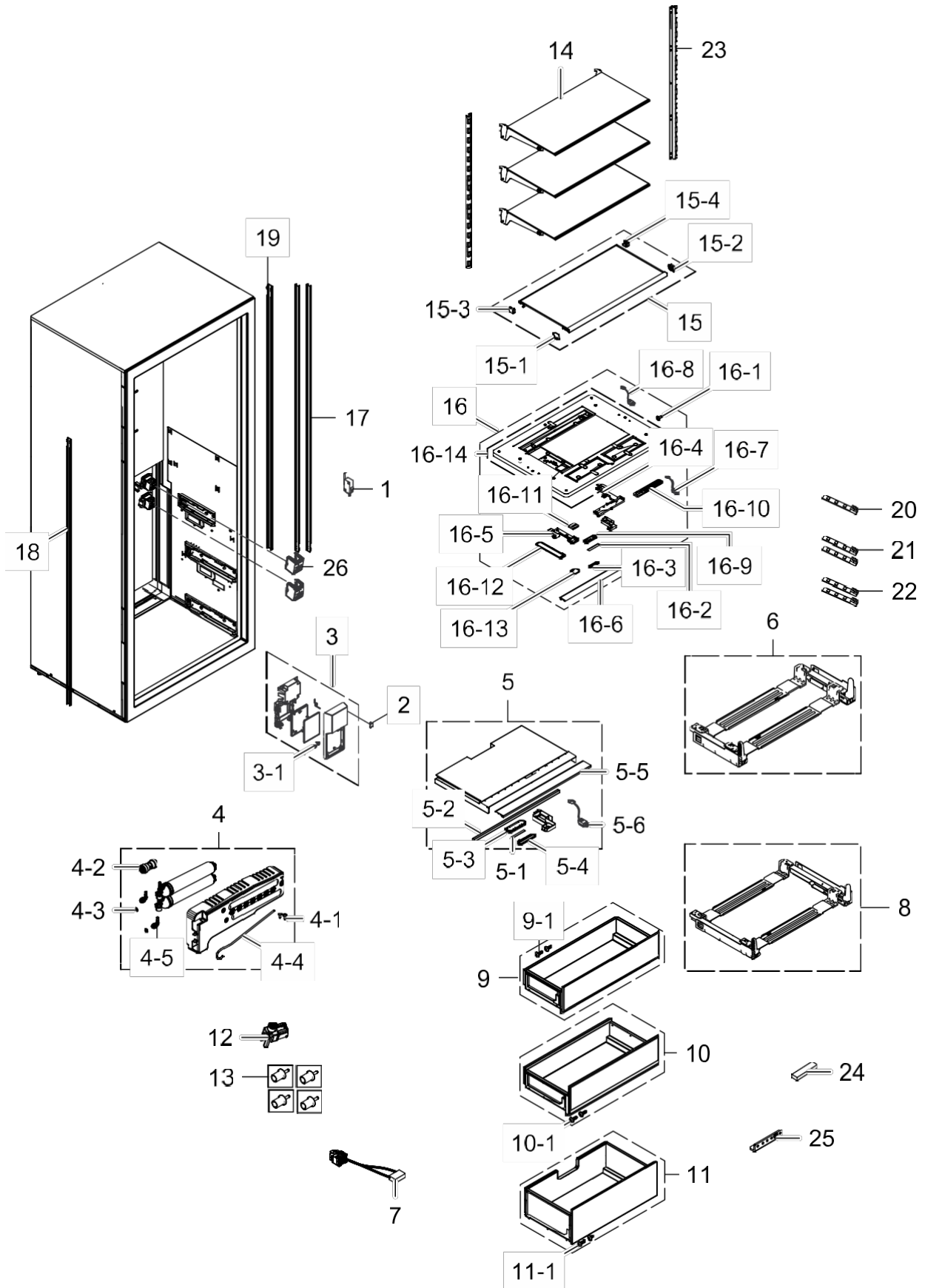


1. Fridge

Exploded View



Fridge Parts List

No.	Dacor Part #	Description	SNA
1	110635	SWITCH-MICRO; 125/250VAC,1A,80gf,SPST-NO	SA
2	111144	CAP DISPENSER; BRR9000M,ABS,HG-0760GP,INO	SA
3	111422	ASSY COVER DISPENSER; BRR9000M,Internal d	SA
3-1	110647	SCREW-TAPPING; TH,+,1,M4,L12,ZPC(WHT),SWR	SA
4	111435	ASSY COVER WATER TANK;BRR9000M	SA
4-1	110647	SCREW-TAPPING; TH,+,1,M4,L12,ZPC(WHT),SWR	SA
4-2	110744	FITTING-TUBE; PP,1/4'- 1/4'	SA
4-3	110806	CLIP-FITTING LOCK; AW,POM	SA
4-4	110930	PIPE-WATER LINE; PE,6.35,PE-RT,ORANGE	SA
4-5	110931	TUBE-FITTING L; POM,DARK HOLDER GRAY,1/4i	SA
5	111556	ASSY CASE CONVERTIBLE; BRR9000 24"	SA
5-1	110728	ASSY LAMP LED; 3ea,CEM-1,65*10,WHITE,SMAW	SA
5-2	110875	REINF COVER; BRR9000M_24R,PO-SPHC,T2.0,CO	SA
5-3	110888	CASE LAMP; BRR9000M,HIPS,INOX GRAY,30R	SA
5-4	110987	COVER-LED; SAPPHIRE-PJT,SAN,-,-,-,DOM,C	SA
5-5	111098	TRIM SHELF; BRR9000M 36",HIPS,S834S1,INOX	SA
5-6	111233	ASSY WIRE HARNESS-LED; ALL,12VDC,ALL,UL,A	SA
6	111659	ASSY RAIL-UP; BRR24	SA
7	111235	ASSY WIRE HARNESS-LED; ALL,12VDC,UL+IEC,N	SA
8	111660	ASSY RAIL-LOW; BRR24	SA
9	111673	ASSY CASE VEG-UP; BRR9000M,ASSY, 24"	SA
9-1	110654	SCREW-TAPPING; TH,+,-,1,M4,L12,PASS,STS30	SA
10	111675	ASSY CASE VEG-MIDDLE; BRR9000M,ASSY, 24"	SA
10-1	110654	SCREW-TAPPING; TH,+,-,1,M4,L12,PASS,STS30	SA
11	111677	ASSY CASE VEG-LOW; BRR9000M,ASSY, 24"	SA
11-1	110654	SCREW-TAPPING; TH,+,-,1,M4,L12,PASS,STS30	SA
12	111628	ASSY COCK DISPENSER; BRR9000M	SA

Fridge Parts List

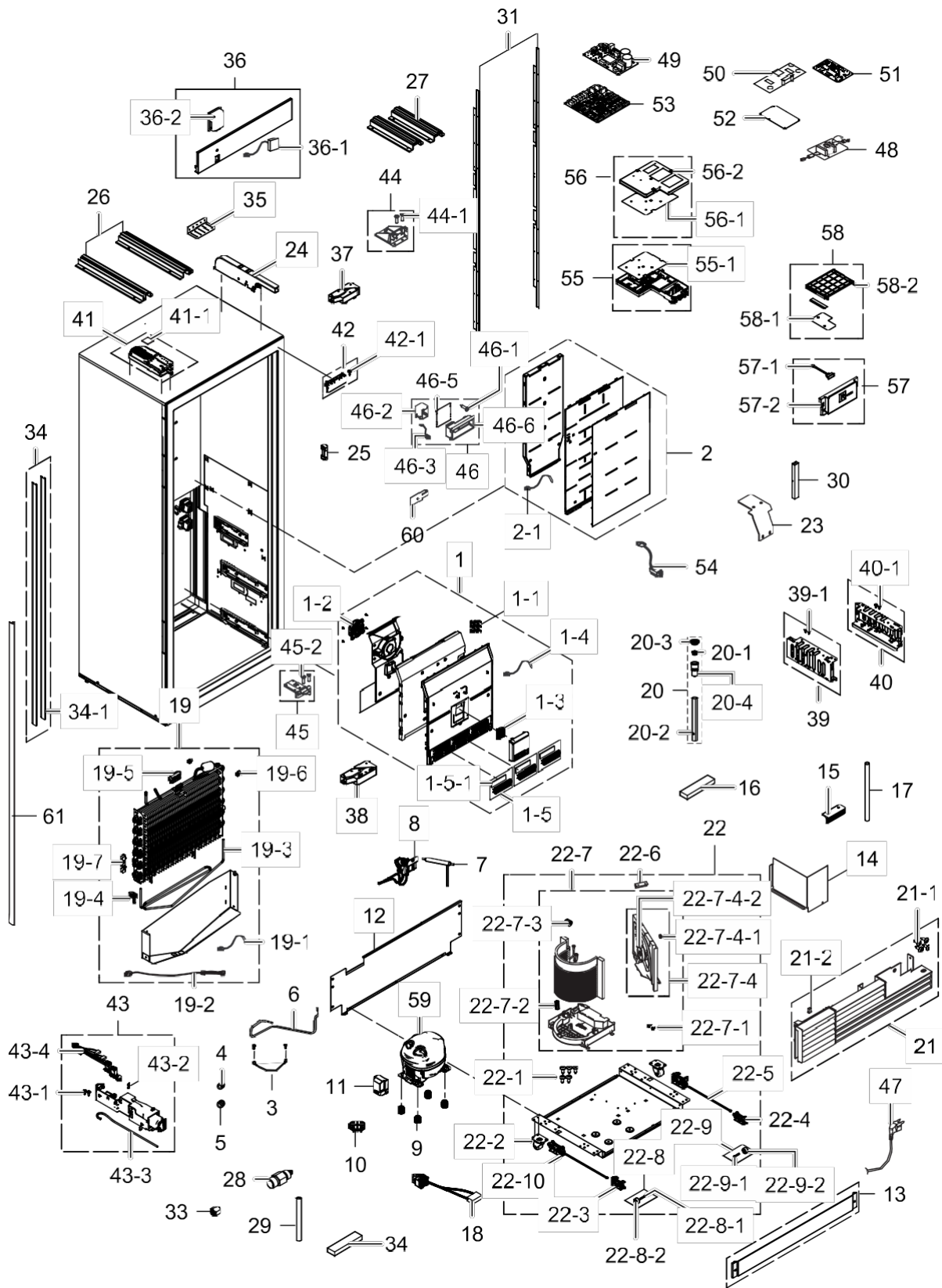
No.	Dacor Part #	Description	SNA
13	111629	ASSY FIXER; BRR9000M 30"	SA
14	111541	ASSY SHELF-REF; BRR9000 24"	SA
15	111545	ASSY SHELF COVER VEG; BRR9000 24"	SA
15-1	111140	SHELF-A; BRR9000M_30R,PP,CAP FRONT LEFT	SA
15-2	111141	SHELF-A; BRR9000M_30R,PP,CAP FRONT RIGHT	SA
15-3	111142	SHELF-A; BRR9000M_30R,PP,CAP REAR LEFT	SA
15-4	111143	SHELF-A; BRR9000M_30R,PP,CAP REAR RIGHT	SA
16	111551	ASSY SHELF-REF LOW; BRR9000M 24"	SA
16-1	110647	SCREW-TAPPING; TH,+,1,M4,L12,ZPC(WHT),SWR	SA
16-2	110728	ASSY LAMP LED; 3ea,CEM-1,65*10,WHITE,SMAW	SA
16-3	110987	COVER-LED; SAPPHIRE-PJT,SAN,-,-,-,DOM,C	SA
16-4	111026	COVER DISPLAY; BRR9000M_30R,HIPS,INOX GRA	SA
16-5	111049	COVER LAMP; BRR9000M,HIPS,INOX GRAY,30R	SA
16-6	111098	TRIM SHELF; BRR9000M 36",HIPS,S834S1,INOX	SA
16-7	111222	ASSY WIRE HARNESS-DISPENSER; ALL,FREE VOL	SA
16-8	111232	ASSY WIRE HARNESS-LED; ALL,12VDC,ALL,UL,A	SA
16-9	110888	CASE LAMP; BRR9000M,HIPS,INOX GRAY,30R	SA
16-10	111644	ASSY PBA DISPLAY; BRR9000,ASSY DISPLAY, C	SA
16-11	111645	ASSY PBA DISPLAY; BRR9000,ASSY DISPLAY, C	SA
16-12	111059	GROMMET; BRR9000M,RUBBER	SA
16-13	111060	GROMMET; BRR9000,RUBBER,DACOR	SA
16-14	111560	ASSY SHELF-REF SUB; BRR9000M 24"	SA
17	111061	COVER LAMP-SIDE; BRR9000M,HIPS,T2.0,WHITE	SA
18	111069	COVER LAMP-SIDE; BRR9000M,HIPS,T2.0,INNER	SA
19	111068	COVER LAMP-SIDE; BRR9000M,HIPS,T2.0,INNER	SA
20	111262	ASSY LAMP LED; 30,FR-4,520*16,WHITE,DEM1-	SA
21	111268	ASSY LAMP LED; 18,CEM-1,592*16,WHITE,SMAW	SA

Fridge Parts List

No.	Dacor Part #	Description	SNA
22	111269	ASSY LAMP LED; 18,CEM-1,592*16,WHITE,SMAW	SA
23		ANGLE SHELF-REF SIDE RIGHT; GI-SGCC,T3.0,	SNA
24	110923	SEAL CUTT-RUBBER; RR2500K,RUBBER,BLACK,T5	SA
25		REINF-FRONT; BRR9000M,HGI-SGHC,T3.0,REINF	SNA
26	110985	COVER-FIXER HOUSING,V;NEXT,GALVALUM,T0.3	SA

2. Cabinet

Exploded View



Cabinet Parts List

No.	Dacor Part #	Description	SNA
1	111483	ASSY COVER EVAP-REF; BRR9000M,COLUMN, 24"	SA
1-1	110655	SCREW-TAPPING; TH,+,NO,1,M4,L14,PASS,STS3	SA
1-2	110693	MOTOR BLDC FAN; 12035GE-12M-YT,1775 7%,1	SA
1-3	110687	MOTOR BLDC FAN; 66mm Box-Fan Motor,3600	SA
1-4	110704	SENSOR TEMP; SC41198-021A,1100mm,13.2kohm	SA
1-5	111373	ASSY COVER DEODORIZER; BRR9000M,INOX GRAY	SA
1-5-1	110681	CATALYST; MOUTON13,T5,ACIVATED CARBON,W39	SA
2	111490	ASSY COVER MULTI-REF; BRR9000M,COLUMN, 24	SA
2-1	110704	SENSOR TEMP; SC41198-021A,1100mm,13.2kohm	SA
3	110722	ASSY WIRE HARNESS-EARTH; ALL,FREE VOLT,UL	SA
4	110746	FITTING-LOKRING 33; SUM23,33	SA
5	110747	FITTING LOKRING; SUM23,St 56	SA
6	110945	PIPE CONNECT-SUCTION; BRR9000M(24inch),C1	SA
7	110940	DRYER; C1220T-H,114,SINGLE MOUTH,R-600a O	SA
8	110943	VALVE STEP; DC12V,MODULE,RIGHT/RIGHT bend	SA
9	110979	GROMMET COMP; USP05,EPDM,OD27.0,BLACK	SA
10	110990	COVER-URETHANE; AW-PJT,ABS,BLACK,5VA	SA
11	111001	COVER RELAY; MSV,MPPO,T2.0,BLACK,V-0	SA
12	111036	COVER COMP-REAR; BRR9000M(24inch),GI-SGCC	SA
13	111654	ASSY COVER COMP-LOW; BRR9000M,24"	SA
14	111680	ASSY PARTITION; BRR9000M,24" Column	SA
15	111149	PARTITION-UP; BRR9000M,HIPS,T1.2	SA
16	111162	SEAL CUTT-RUBBER; W2-05,BUTYL RUBBER,BLAC	SA
17	111169	PIPE CONNECT-DISC; RF8000MC,Cu,OD6.35,T0.	SA
18	111246	ASSY WIRE HARNESS-COMP; ALL,FREE VOLT,UL+	SA
19	111253	ASSY EVAP-REF; BRR9000M(24inch),120V,130W	SA

Cabinet Parts List

No.	Dacor Part #	Description	SNA
19-1	110705	SENSOR TEMP; SC41199-021A, PVC TUBE 250mm	SA
19-2	110736	THERMO FUSE-ASSY; AC250V,10A,109~110S	SA
19-3	110739	HEATER METAL SHEATH; AC120V,BRR9000M 24IN	SA
19-4	110823	FIXER-SHEATH HEATER; POLARIS-PJT,AL,T0.8	SA
19-5	110795	FIXER-SENSER; AW-PJT,PP,NATURAL,V-0	SA
19-6	110818	FIXER WIRE; AW3-PJT,PP,T2.0,NATURAL,HB,BJ	SA
19-7	110822	FIXER-HEATER WIRE REF; HM/GGH/HAEMIL,PP,N	SA
20	111338	ASSY CAP-DRAIN; AW3	SA
20-1	110811	FIXER-DRAIN; HAEMIL,PP,T0.6,CARMEN WINE,B	SA
20-2	110928	TUBE PVC; AW3,SF-PVC,BLACK	SA
20-3	110982	GROMMET-DRAIN; RS18RK,NBR,-,-,-,-,BLK,-	SA
20-4	111128	CAP-DRAIN; AW4,HIPS,HB,S834S1,NATURAL	SA
21	111463	ASSY CHASSIS AIR GRILLE; BRR9000M,24" LEF	SA
21-1	110649	SCREW-TAPPING; TH,+,NO,1,M4,L8,ZPC(WHT),S	SA
21-2	111121	LATCH; LATOUR,POM,BLACK,DC LATCH	SA
22	111526	ASSY CHASSIS COMP; BRR9000M(24inch)	SA
22-1	110647	SCREW-TAPPING; TH,+,1,M4,L12,ZPC(WHT),SWR	SA
22-2	110910	CASTER; BRR9000M,MSWR,OD40, BLACK	SA
22-3	111390	ASSY LEG-FRONT; BRR9000M	SA
22-4	111391	ASSY LEG-FRONT; BRR9000M,RIGHT	SA
22-5	111393	ASSY LEG-REAR; BRR9000M,RIGHT	SA
22-6	111149	PARTITION-UP; BRR9000M,HIPS,T1.2	SA
22-7	111525	ASSY TRAY DRAIN WATER; BRR9000M(24inch)	SA
22-7-1	110647	SCREW-TAPPING; TH,+,1,M4,L12,ZPC(WHT),SWR	SA
22-7-2	111006	GROMMET-IMMERSION PIPE B; ROMANEE CONTI,N	SA
22-7-3	111074	GROMMET-SUCT PIPE A; NBR,-,ID4,OD20	SC
22-7-4	111408	ASSY SUPPORT-CIRCUIT MOTOR; BRR9000M(18")	SA
22-7-4	110913	SPRING ETC-FAN; STS304,PI8.8,ID7.8,OD9.8,	SA
22-7-4	110695	MOTOR BLDC FAN; ARCS2088RB,1230,12V,1.15W	SA
22-8	111533	ASSY CASTER; BRR9000M,GI-SGCC,T3.0,LEFT	SA

Cabinet Parts List

No.	Dacor Part #	Description	SNA
22-8-1	110757	PIN-CASTER; SR-289-429,MSWR10,OD6.0,L38,Z	SA
22-8-2	110821	CASTER-REAR; GRAND-CRU,PP,NATURAL	SA
22-9	111534	ASSY CASTER-FRONT; BRR9000M,GI-SGCC,T3.0,	SA
22-9-1	110757	PIN-CASTER; SR-289-429,MSWR10,OD6.0,L38,Z	SA
22-9-2	110821	CASTER-REAR; GRAND-CRU,PP,NATURAL	SA
22-10	111392	ASSY LEG-REAR; BRR9000M	SA
23	110909	BRACKET-LOCK; GI-SGCC,T2	SA
24	110866	GUIDE-UP; BRZ30980LPR,ABS,T2.5,HB,INOX GR	SA
25	110886	FIXER PIPE; BRR9000M,EPDM,BLACK	SA
26	110892	RAIL; BRR9000M,ABS,EBONY BLACK	SA
27	110895	RAIL-LEFT; BRR9000M,ABS,EBONY BLACK,HG-07	SA
28	110918	VALVE-FITTING PU; BEST-BUY,(C3604BD-F)+BN	SA
29	110946	PIPE WATER-LINE OUT; BRF8000M,PVC,WHITE	SA
30	111058	COVER WIRE; BRR9000,ABS,HB,COOL WHITE,HG-	SA
31	111091	CHASSIS CABI; BRR9000M,GI-SGCC,T0.8,-,-	SA
33	111170	VALVE-FITTING NUT; A-TOP,CU,12,C3604 BD-F	SA
34	111656	ASSY TRIM KIT; BRR9000M	SA
34-1	111093	TRIM COVER; BRR9000M,AI,BI-327	SA
35	110903	SUPPORT-REF; BRR9000M,GI-SGCC,T3,Anti Tip	SA
36	111507	ASSY TOP TABLE-FRONT; BRR9000M,24-IN,F	SA
36-1	110711	SENSOR PHOTO; -20~705V,illumination	SA
36-2	111033	COVER TOP TABLE; BRR9000M,ABS,HB,INOX GRA	SA
37	111379	ASSY HINGE-UP; BUILT-IN,K05-X	SA
38	111380	ASSY HINGE-LOW; BUILT-IN,K05-X	SA
39	111382	ASSY CABI FRAME-SIDE LEFT; BRR9000M,GI-SG	SA
39-1	110647	SCREW-TAPPING; TH,+,1,M4,L12,ZPC(WHT),SWR	SA
40	111386	ASSY CABI FRAME-SIDE RIGHT; BRR9000M,GI-S	SA
40-1	110647	SCREW-TAPPING; TH,+,1,M4,L12,ZPC(WHT),SWR	SA
41	111420	ASSY EASY OPEN; 12V	SA

Cabinet Parts List

No.	Dacor Part #	Description	SNA
41-1	110633	IC-MICROCONTROLLER; R5F100FCAFP,LQFP,44P,	SA
42	111426	ASSY COVER HINGE-REF; BRR9000M,ABS,COLUMN	SA
42-1	110671	SCREW-TAPPING; PWH,+,PW,1,M4,L16,ZPC(WHT)	SA
43	111434	ASSY CASE WATER FILTER; BRR9000M	SA
43-1	110647	SCREW-TAPPING; TH,+,1,M4,L12,ZPC(WHT),SWR	SA
43-2	110806	CLIP-FITTING LOCK; AW,POM	SA
43-3	110930	PIPE-WATER LINE; PE,6.35,PE-RT,ORANGE	SA
43-4	110938	VALVE WATER; AC110-127V,350,1WAY,L-Wire,1	SA
44	111458	ASSY REINF-UP LEFT; BRR9000M,ZPC3	SA
44-1	110678	BOLT-ETC; M6,L20,ZPC(WHT),SWRCH18A,FH	SA
45	111460	ASSY REINF-LOW LEFT; BRR9000M,ZPC3	SA
45-2	110678	BOLT-ETC; M6,L20,ZPC(WHT),SWRCH18A,FH	SA
46	111682	ASSY COVER HINGE-UP LEFT; BRR9000M,Column	SA
46-1	110660	SCREW-TAPPING; FH,+,1,M4,L18,ZPC(WHT),SWR	SA
46-2	111048	COVER HINGE-UP LEFT; BRR9000M,PC,5V-B,EBO	SA
46-3	111275	ASSY WIRE HARNESS-ETC; 1-DOOR,FREE VOLT,U	SA
46-5	111042	COVER FRONT; BRR9000M,ABS,HB,INOX GRAY,AB	SA
46-6	111046	COVER HINGE-LEFT; BRR9000M,ABS,HB,INOX GR	SA
47	110639	CBF-POWER CORD; AT,USA,US3F-1,3C,125V,15A	SA
48	110683	COIL FILTER; 22mH,82*60,AC 8A,0.47uF / 0.	SA
49	111197	ASSY PCB INVERTER; INVERTER,LC3_3050_V2,1	SA
50	111198	ASSY MODULE; STD#9 SMPS,RF9500(Family Hub	SA
51	111199	ASSY MODULE; BUZZER PBA, RB6000K	SA
52	111203	ASSY MODULE; PBA-FUSE BLOCK,RF8000MC,30*5	SA
53	111216	ASSY PCB EEPROM; 0X27,D602,D603,D606,BRR9	SA
54	111257	ASSY WIRE HARNESS-ETC; 1-DOOR,FREE VOLT,U	SA
55	111613	ASSY CASE PBA; BRR9000M,COLUMN30"FRE,SUB	SA

Cabinet Parts List

No.	Dacor Part #	Description	SNA
55-1	110904	PLATE COVER; AI,T0.15,FDR	SA
56	111617	ASSY COVER PBA; BRR9000M,COLUMN30"FRE	SA
56-1		PLATE COVER; BRR9000M,GI-SGCC,T0.5,Column	SNA
56-2	111043	COVER PBA; BRR9000M,PC,T2.5,5V-B,EBONY BL	SA
57	111621	ASSY COVER-FRONT; BRR9000M,COLUMN30"FRE	SA
57-1	110716	SWITCH REED; UL1007 AWG 22,100mm,DEM1-B50	SA
57-2	111044	COVER FRONT; BRR9000M,PC,5V-B,EBONY BLACK	SA
58	111624	ASSY COVER-FRONT UP; BRR9000M,COLUMN30"FR	SA
58-1		PLATE COVER; BRR9000M,GI-SGCC,T0.5,FRONT,	SNA
58-2	111045	COVER FRONT-UP; BRR9000M,PC,5V-B,EBONY BL	SA
Not Shown	112872	Vulkan lok ring fittings (includes drier)	SA
59	111694	COMP,REFRIGERATOR,R-600A; (Must order with Ref #9 QTY4)	SA
60	111151	CAP HINGE-UP LEFT; BRR9000M,ABS,T1.2,HG-0	SA
61	111666	ASSY TRIM KIT; BRR9000M,24"Column	SA

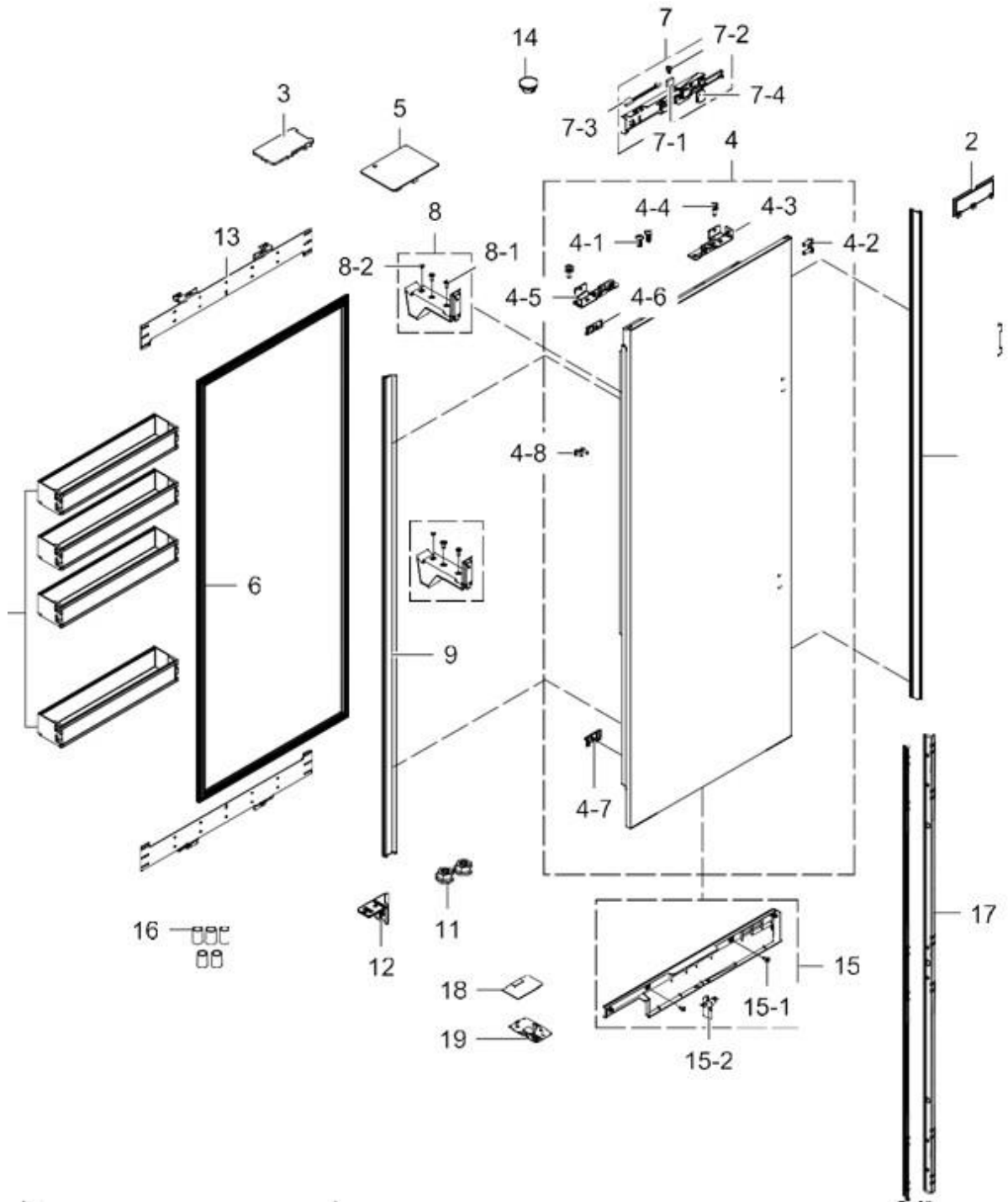
Door Panels, Handles, and Toe Kick

Type	SVC Part	Dacor P/N	Finish
24" Column	Custom Panel_Left Hinge	114162	Graphite
	Modern Handle	114133	Graphite
	Toe Kick Plate	114164	Graphite
	Custom Panel_Left Hinge	114165	Stainless
	Modern Handle	114140	Stainless
	Pro Handle	114141	Stainless
	Toe Kick Plate	114167	Stainless
	Pair Installation Kit	RAC00CPAAAA	Stainless

***Note: Only one “Pair installation kit” is needed to install two columns together.

3. Door

Exploded View



Door Parts List

No.	Dacor Part #	Description	SNA
1		ASSY GUARD-REF; BRR9000M,24"	SNA
2	111029	COVER-CAMERA PCB; BRR9000M,ABS,HB,INOX GR	SA
3	111072	COVER PBA; BRR9000M,ABS,INOX GRAY,WIFI MO	SA
4	111183	ASSY DOOR FOAM-REF; BRR9000M,24",LEFT-HIN	SA
4-1	110658	SCREW-TAPPING; TH,+,-,2,M5,L16,ZPC(WHT),S	SA
4-2	110666	SCREW-TAPPING; TH,+,-,2S,M4,L12,ZPC(WHT),	SA
4-3	110845	BRACKET-UP; BRR9000M,PO-SPHC,T2.3,RIGHT	SA
4-4	110847	FIXER-UP FRONT; BRR9000M,SWRCH10A,M6	SA
4-5	110848	BRACKET-UP; BRR9000M,PO-SPHC,T2.3,LEFT	SA
4-6	110855	BRACKET HINGE-FRE UP; BRR9000M,GI-SGCC,T2	SA
4-7	110859	BRACKET HINGE-FRE LOW; GI-SGCC,T2.5,COLUM	SA
4-8	110648	SCREW-TAPPING; TH,+NO,1,M4,L16,ZPC(WHT),	SA
5	111206	ASSY MODULE; 2CH,USB_HUB,BRR9000M,30*57,F	SA
6	111414	ASSY GASKET; BRR9000M,24COLUMN, DARK GRAY	SA
7	111450	ASSY CAP DOOR-UP LEFT; BRR9000M,ABS,24"	SA
7-1	110798	MAGNET; SVETA,FERRITE,1600Gauss	SA
7-2	111133	CAP-SHAFT HOLE; AW3,ABS,HG-0760GP,COOL WH	SA
7-3	110710	SENSOR HUMIDITY; 5V,0~100%RH,REF,250mm	SA
7-4	111033	COVER TOP TABLE; BRR9000M,ABS,HB,INOX GRA	SA
8	111456	ASSY PANEL-CAMERA; BRR9000M	SA
8-1	110661	SCREW-TAPPING; FH,+NO,1,M4,L14,ZPC(WHT),	SC
8-2	111014	GROMMET-A; MOUTON12,SI,COOL WHITE,NAME TA	SA
9	111087	TRIM DOOR-RIGHT; BRR9000M,ABS,XM-0900,VF S	SA
10	111086	TRIM DOOR-LEFT; BRR9000M,ABS,XM-0900,VF	SA
11	110680	NUT-HEXAGON FLANGE; M8,SWRCH10A,FLANGE, M	SA

No.	Dacor Part #	Description	SNA
12	110889	GUIDE PANEL; BRR9000M,HIPS,S834S1,COOL WH	SA
13	110901	BRACKET-WOOD; BRR9000M,PO-SPHC,T2.3,COLUM	SA
14	111129	CAP SCREW; BRR9000M,ABS,HB,HG-0760GP,INOX	SA
15	111632	ASSY CAP DOOR-LOW LEFT; BRR9000M,ABS,24"	SA
15-1	110647	SCREW-TAPPING; TH,+,1,M4,L12,ZPC(WHT),SWR	SA
15-2	110862	GUIDE AIR-A; BRR9000M,ABS,HB,INOX GRAY	SA
16	110906	FIXER; BRR9000M,ABS,NATURAL,HG-0760GP	SA
17	110846	BRACKET-MIDDLE; BRR9000M,CR-SPCC,T1.2,COL	SA
18	110640	W-LAN MODULE; DWMSMQ96L01S,IEEE802.11,2.4	SA
19	111205	ASSY PCB SUB; Network,WiFi,LTE,WideCamera	SA