



LET THE SHOW BEGIN

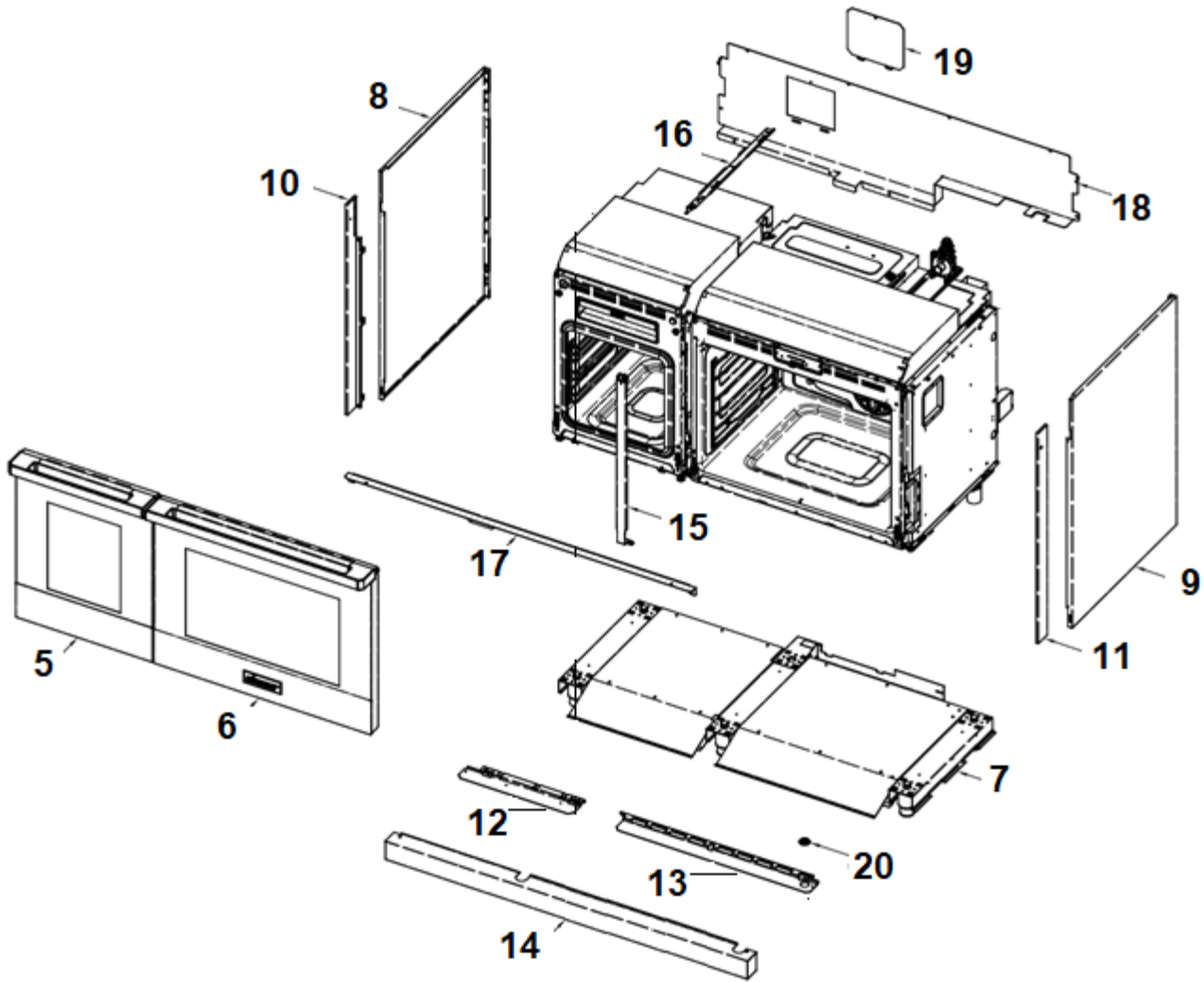
PARTS CATALOG

DOP48M86D**

Pro Range

Assembly Drawings and Parts Lists	
Click Page	Description
2	Main-Chassis Assembly & Parts List
4	Cooktop Assembly w/Bullnose & Parts List
6	Assembly Control Panel & Parts List
8	Sub Cooktop & Parts List

DOP48M86D**: Main Chassis Assembly



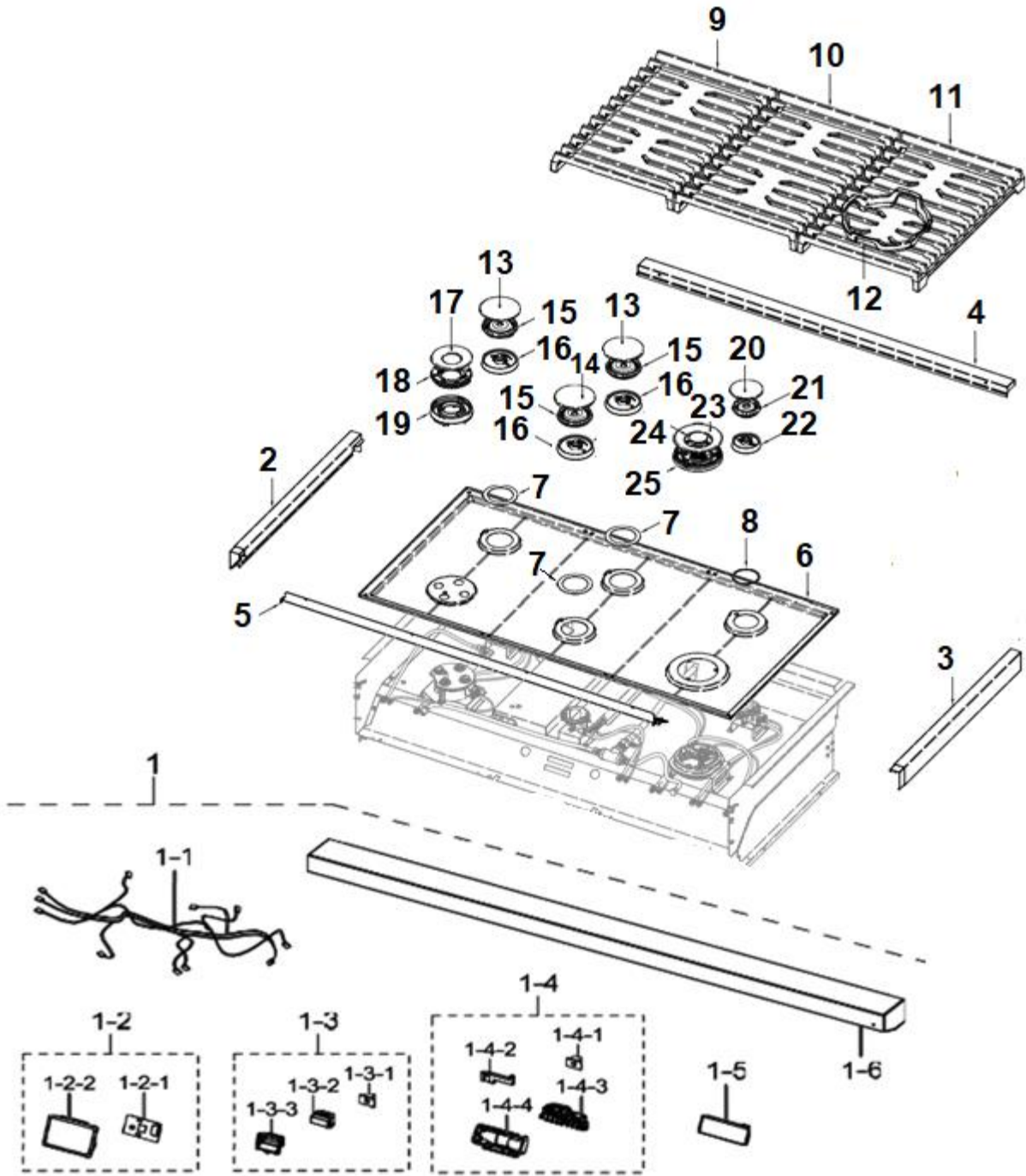
DOP48M86D** : Main Chassis Assembly, Parts List

Item	P/N	Description
5	111970	Assy, Door 18", Silver
	111969	Assy, Door 18", Graphite
6	111968	Assy, Door 30", Silver
	111967	Assy, Door 30", Graphite
7	703058	Assy, Base
8	110104	Panel, Side, Left, Silver
	110104B	Panel, Side, Left, Black
9	110105	Panel, Side, Right, Silver
	110105B	Panel, Side, Right, Graphite
10	110595	Trim, Side, Cav, Left, Silver
	110596	Trim, Side, Cav, Left, Graphite

Item	P/N	Description
11	110601	Trim, Side, Cav, Right, Silver
	110602	Trim, Side, Cav, Right, Silver
12	110096	Mtg. Kick Panel, 48"
13	110095	Mtg. Kick Panel, 48"
14	703103	Kick, Panel. 48", Silver
	703103B	Kick, Panel. 48", Graphite
15	110107B	Cover, Mid Cell, Front, BLK
16	110094	Bracket, Connctor, Top
17	703069B	Weld, Trim, Upper, 48"
18	110099	Cover, Body, Rear
19	112875	Cover, Body, Switch
20	110222	Rubber Ring

Return to Page 1

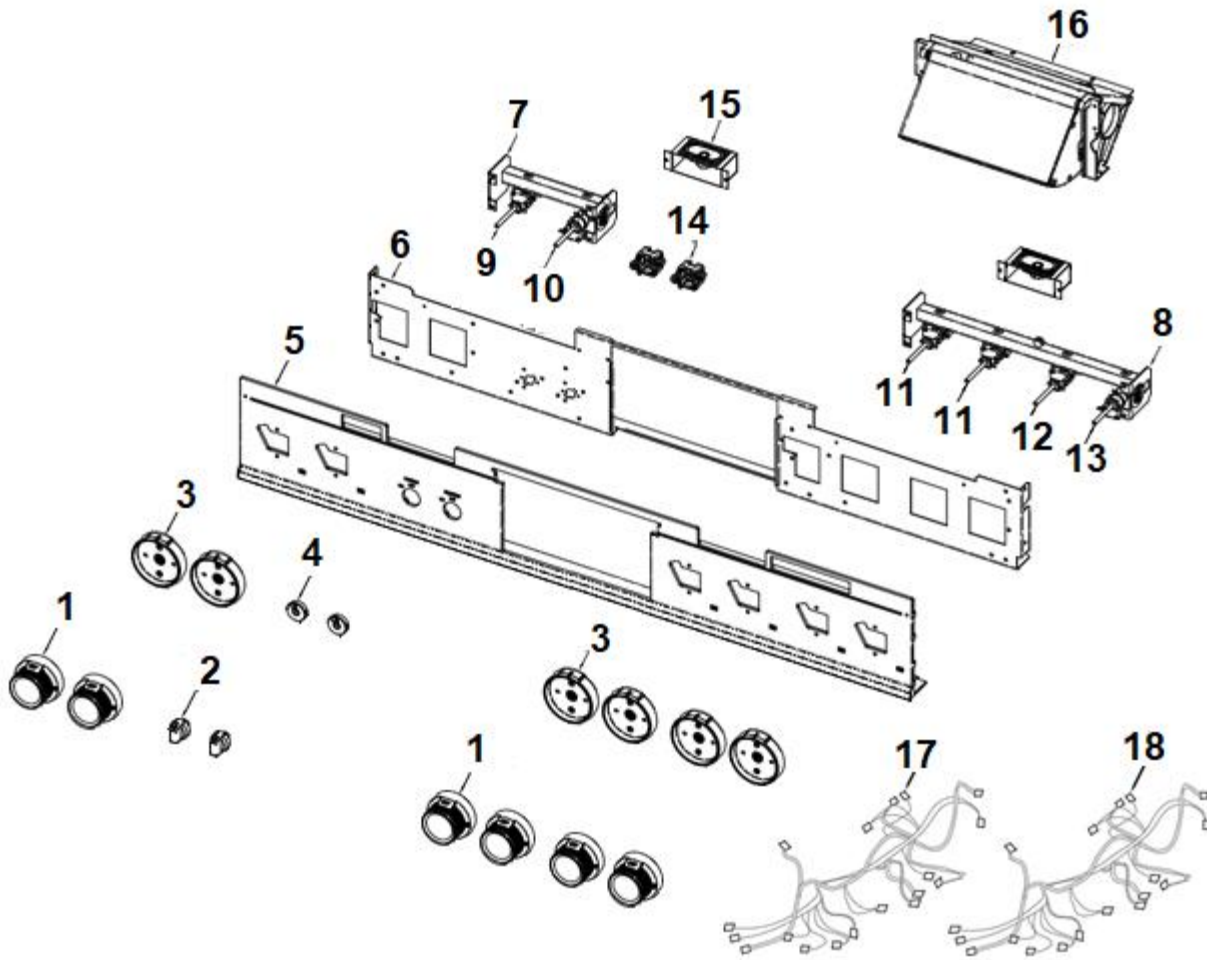
DOP48M86D : Cooktop Assembly/Bullnose**



DOP48M86D** : Cooktop Assemblyw/Bullnose (Parts List)

Item	P/N	Description	Item	P/N	Description
1	703630	Assy, Bullnose, Silver	7	112044	Gasket, 16k
	703630B	Assy, Bullnose, Graphite	8	112045	Gasket, 9k
1-1	115094	Assy, Wire Harness DC Signal	9	113977	Grate, Side, Left
1-2	110626	Assy, Holder PCB, Bluetooth	10	113978	Grate, Center
1-2-1	111762	Bluetooth Module	11	113979	Grate, Side, Right
1-2-2	n/a	Cover PCB Bluetooth	12	110235	Grate-Wok
1-3	110630	Assy, Shower Lighting Module	13	108068-01	Burner Cap, 16k, Brass
1-3-1	n/a	Assy Module		110562-02	Burner Cap, 16k, Black Porcelain
1-3-2	n/a	Holder LED	14	108061-01	Burner Cap w/Logo, 16k, Brass
1-3-3	n/a	Holder LED-B		110562-02	Burner Cap, 16k, Black Porcelain
1-4	110629	Assy, Holder PCB, WiFi LED	15	101547	Ring, Burner, 16k
1-4-1	n/a	Assy Module	16	113791	Base, Burner, 16k
1-4-2	n/a	Indicator WiFi	17	108062-01	Burner, Cap, 18k, Brass
1-4-3	n/a	Holder LED-Top		110561-02	Burner, Cap, 18k, Black Porcelain
1-5	110591	Cover Lamp-LED	18	700028	Ring, Burner, 18k
1-6	703629E	Weld, Bullnose, Silver	19	110563	Base, Burner, 18k
	703629B	Weld, Bullnose, Graphite	20	108764-01	Burner, Cap, 9k, Brass
2	703024-01	Weldment, Top Frame Left, Silver		108764-02	Burner, Cap, 9k, Black Porcelain
	703024-01B	Weldment, Top Frame Left, Graphite	21	700034	Ring, Burner, 9k
3	703024-02	Weldment, Top Frame Right, Silver	22	113979	Base, Burner, 9k
	703024-02B	Weldment, Top Frame Right, Graphite	23	110430-01	Burner, Cap, Outer, 22k, Brass
4	702900	Weld, Trim, Rear, 48, Silver		110430-02	Burner, Cap, Outer, 22k, Black Porcelain
	702900B	Weld, Trim, Rear, 48, Graphite	24	110431-01	Burner, Cap, Inner, 22k, Brass
5	115066	Channel, Spill, Tray, 48"		110431-02	Burner, Cap, Inner, 22k, Brass
6	113976BP	Spill Tray	25	112041	Ring, Burner, 22k

DOP48M86D**: Assembly Control Panel

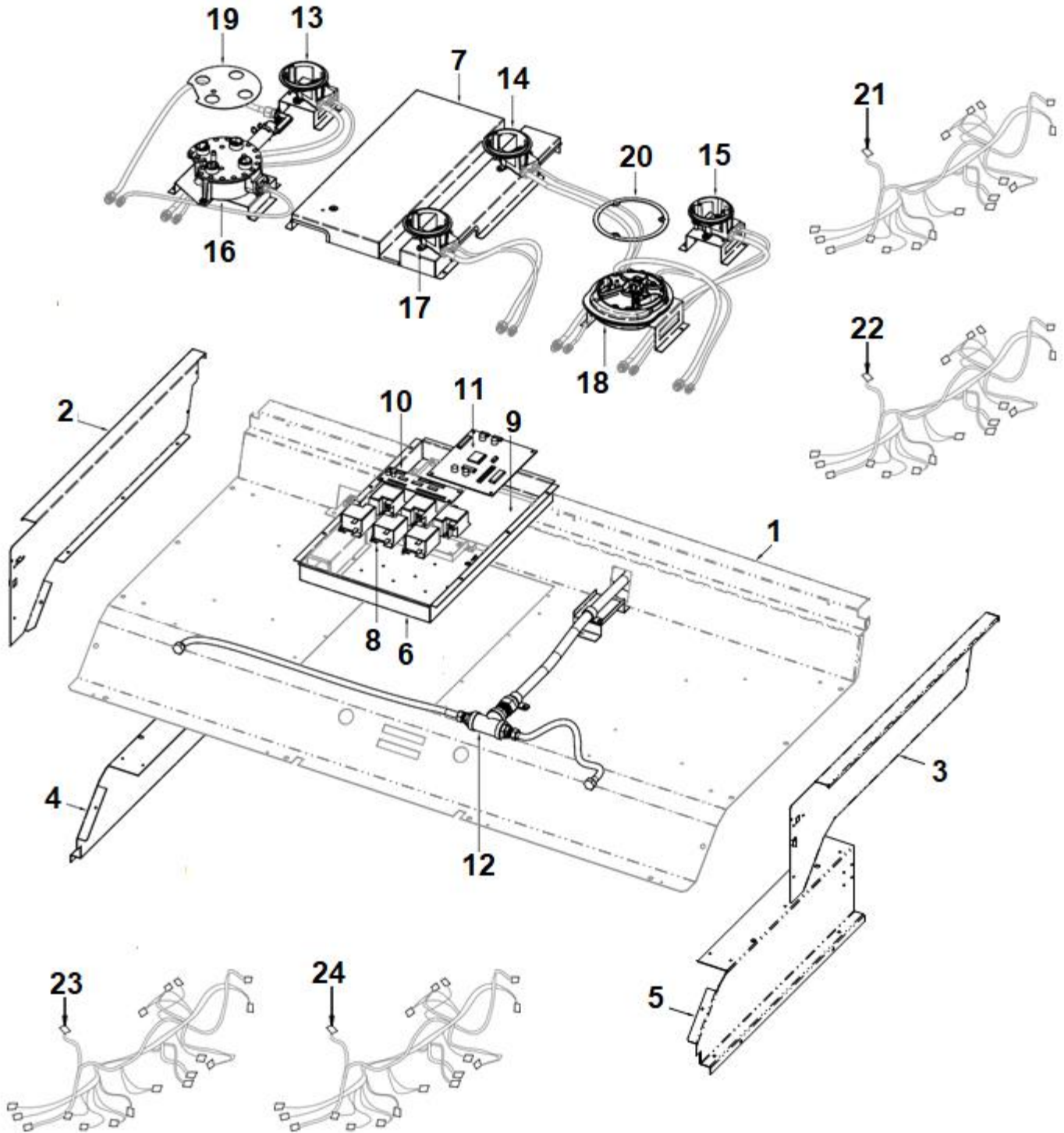


DOP48M86D** : Sub Cooktop Assembly (Parts List)

Item	P/N	Description
1	110622	Assy, Knob, Silver
	110623	Assy, Knob, Graphite
2	110592	Mini Knob Cap, Silver
	110593	Mini Knob Cap, Graphite
3	110618	Assy, Knob Holder, Silver
	110619	Assy, Knob Holder, Graphite
4	110594	Knob-A White
5	113982	Panel Control, Silver
	113982B	Panel Control, Graphite
6	703625	Sud, Sub-Panel
7	702888	Welded Manifold, Left
8	702891	Welded manifold, Right
9	702863-07	Assy, Valve, 18k, NG/NGH
	702863-15	Assy, Valve, 18k, LPH
	702863-19	Assy, Valve, 16k, NG

Item	P/N	Description
10	702863-04	Assy, Valve, 16k, NG
	702863-12	Assy, Valve, 16k, LP/LPH
	702863-21	Assy, Valve, 16k, NGH
11	702863-03	Assy, Valve, 16k, NG
	702863-11	Assy, Valve, 16k, LP/LPH
	702863-24	Assy, Valve, 16k NGH
12	702863-01	Assy, Valve, 9k, NG
	702863-09	Assy, Valve, 9k, LP/LPH
	702863-20	Assy, Valve, 9k, NGH
13	702863-06	Assy, Valve, 22k, NG
	702863-14	Assy, Valve, 22k, LP/LPH
	702863-23	Assy, Valve, 22k, NGH
14	110632	Assy, Light Switch
15	703054	Assy, Oval Speaker
16	115127	Assy, Panel, Control, LCD
17	115091	Assy, Wire Harness-Sensor
18	112108	Assy, Wire Harness-Sensor

DOP48M86D**: Sub Cooktop Assembly



DOP48M86D** : Sub Cooktop Assembly (Parts List)

Item	P/N	Description
1	115036	Chassis
2	110226	Support, Side, Left, Upper
3	110227	Support, Side, Right, Upper
4	110224	Support, Side, Left, Lower
5	110225	Support, Side, Right, Lower
6	115007	Case, PBA
7	115035	Cover, PCB, Main
8	72634	Re-Ignition Module
9	110589	Holder, PCB-Sub
10	112040	LED, Dimming, PBA, Board
11	112038	LCD, Sub, PBA, Relay
12	703001	Assy, Tubing, Inlet
13	703082-01	Assy, Burner, 16k, NG
	703082-02	Assy, Burner, 16k, LP
	703082-03	Assy, Burner, 16k, NGH
	703082-04	Assy, Burner, 16k, LPH
14	703771-01	Assy, Burner, 16k, NG
	703771-02	Assy, Burner, 16k, LP
	703771-03	Assy, Burner, 16k, NGH
	703771-04	Assy, Burner, 9k, NG

Item	P/N	Description
15	703083-01	Assy, Burner, 9k, NG
	703083-02	Assy, Burner, 9k, LP
	703083-03	Assy, Burner, 9k, NGH
	703083-04	Assy, Burner, 9k, LPH
16	703085-01	Assy, Burner, 18k, NG
	703085-02	Assy, Burner, 18k, LP
	703085-03	Assy, Burner, 18k, NGH
	703085-04	Assy, Burner, 18k, LPH
17	703772-01	Assy, Burner, 16k, NG
	703772-02	Assy, Burner, 16k, LP
	703772-03	Assy, Burner, 16k, NGH
	703772-04	Assy, Burner, 22k, NG
18	703086-01	Assy, Burner, 22k, NG
	703086-02	Assy, Burner, 22k, LP
	703086-03	Assy, Burner, 22k, NGH
	703086-04	Assy, Burner, 22k, LPH
19	700145	Gasket, Dual Burner
20	112043	Gasket, Burner Base 22k
21	115093	Assy, Wire Harness, Power
22	112110	Assy, Wire Harness, Power
23	115097	Assy, Wire Harness, Communication
24	112099	Assy, Wire Harness Cooktop
25	62834	Regulator, NG (not shown)
26	72980	Regulator, LP (not shown)

