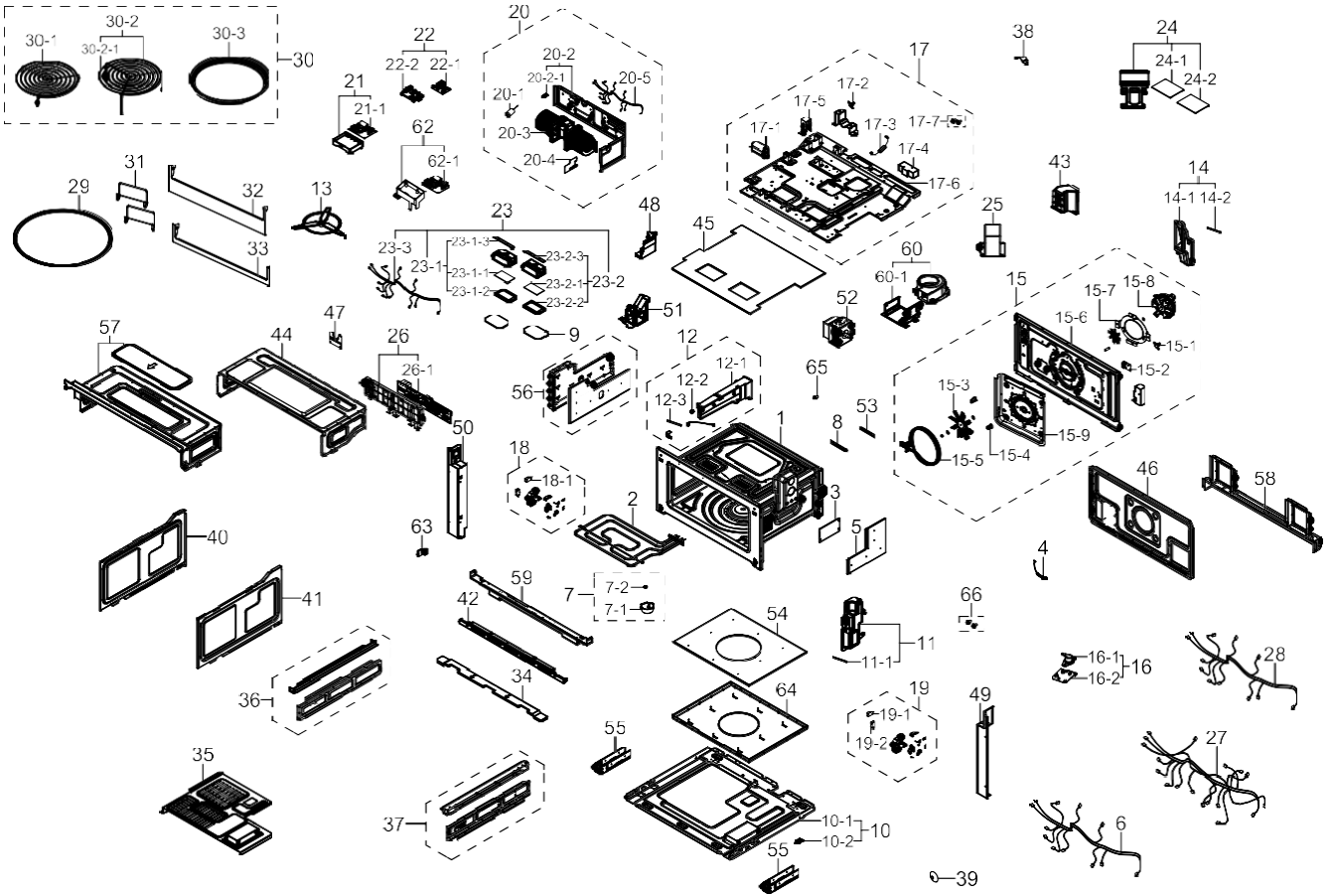


1. DOC30M977DM/DA



Exploded View



Cavity Parts List

No.	Dacor Part #	Description	SNA
1		ASSY CAVITY-COATING; DOC30M977DS/DA,1.9Cu	SNA
2	111706	HEATER SHEATH-GRILL; AC240V,BKT Type,1600	SA
3	111716	COVER-CEILING; ATAG BI MWO,MICA SHEET,T0.	SA
4	111723	ASSY THERMISTOR; Aurora,PTM-K312-S5,-20	SA
5	111728	ASSY COVER ADIABATIC; COMBI OVEN,RIGHT	SA
6	111739	ASSY WIRE HARNESS-B; Omni PrO,230VAC,230V	SA
7		ASSY MOTOR; COMBI OVEN,SSM-23H,120V/45mA,	SNA
7-1		MOTOR GEARED; SSM-23H,3,8,120,45mA,3,45mA	SNA
7-2		RUBBER RING; COMBI OVEN,SILICON RUBBER,PI	SNA
8	111748	GASKET HEATER; NQ50C7535DS,BRASS,1.0,90.5	SA
9	111719	GLASS-LIGHTING; COMBI OVEN,GLASS,T3.2,NQ9	SA
10		ASSY BASE BOTTOM; COMBI OVEN	SNA
10-1		BASE BOTTOM; COMBI OVEN,EGI-SECC,T1.0,NQ9	SNA
10-2	111721	WIRE-SADDLE; 2N,PA66,,,,,,,,,	SA

Cavity Parts List

No.	Dacor Part #	Description	SNA
11		ASSY GUIDE AIR-RIGHT; COMBI OVEN	SNA
11-1	111717	CUSHION-CARBON FELT; ME179KFETSR,UN2,T3,W	SA
12		ASSY GUIDE AIR-LEFT; COMBI OVEN	SNA
12-1		GUIDE AIR-LEFT; COMBI OVEN,PA66,KN332G30V	SNA
12-2	111705	SENSOR GAS; TGS-880,-,-,-,-,-,-,-,-	SC
12-3	111717	CUSHION-CARBON FELT; ME179KFETSR,UN2,T3,W	SA
13	111731	ASSY GUIDE ROLLER; COMBI OVEN,PPS	SA
14		ASSY DUCT AIR; COMBI OVEN	SNA
14-1		DUCT AIR-REAR; COMBI OVEN,PBT+GF,BLACK,PB	SNA
14-2	111717	CUSHION-CARBON FELT; ME179KFETSR,UN2,T3,W	SA
15		ASSY PANEL BACK; COMBI OVEN- PREMIUM PLUS	SNA
15-1	111709	THERMOSTAT; 125/250V,15/7.5A,150,60,NORMA	SA
15-2	111712	BRACKET-TCO; SMH9151B/XAA,EGI-SECC	SA
15-3		FAN CONVECTION; MW8000J,ALCOAT-SA1C,D154,	SNA
15-4		HOLDER-HEATER; SMV9165,STS304,T0.8,W17,L2	SNA
15-5		HEATER SHEATH-CONVECTION; AC230V,1500W,SU	SNA
15-6		COVER BACK-MAIN; NQ9300M,GI-SGCC,T0.6	SNA
15-7		HOLDER MOTOR; COMBI OVEN,EGI-SECC,T1.0	SNA
15-8		MOTOR AC VENTILATION; SMV-U800C,2,120V,60	SNA
15-9		COVER CASING-REAR; COMBI OVEN- PLUS,ALCOA	SNA
16	111740	ASSY THERMOSTAT; GE614ST/ZAM,(1.3CU.FT/1.	SA
16-1	111708	THERMOSTAT; 125/250V,15/7.5A,150,60,NORMA	SA
16-2	111712	BRACKET-TCO; SMH9151B/XAA,EGI-SECC	SA
17		ASSY BRACKET UPPER; COMBI OVEN- PLUS	SNA
17-1	111695	C-OIL HIGH VOLTAGE; 910nF,2100V,BK,34x54x	SA
17-2	111707	THERMOSTAT; 125/250V,15/7.5A,130,60,NORMA	SA
17-3	111710	DIODE-H.V; MWO,2CL4512H/CL04-12A,500mA,12	SA
17-4	111751	ASSY-TERMINAL BLOCK; FCQ**,FTQ**,FE-N**,B	SA
17-5		BRACKET-HVC; SMH7175,EGI-SECC,T0.5	SNA
17-6		ASSY BRACKET SUB; COMBI OVEN	SNA
17-7	111700	SCREW-TAPTYPE; PH,+,WT,B,M4,L8,ZPC(WHT),S	SNA
18	111729	ASSY BODY LATCH; COMBI OVEN,PKD- LEFT	SA
18-1	111698	SWITCH-MICRO; 125/250VAC,16A,200gf,SPST-N	SA
19	111730	ASSY BODY LATCH; COMBI OVEN,PKD- RIGHT	SA
19-1	111697	SWITCH-MICRO; 125/250VAC,16A,200gf,SPDT,T	SA
19-2	111698	SWITCH-MICRO; 125/250VAC,16A,200gf,SPST-N	SA
20		ASSY BRACKET VENT; COMBI OVEN- PLUS	SNA
20-1	111702	FILTER EMI; VDE,1.5mH MIN/1/140mm,38.2*86	SA
20-2		ASSY BRACKET A/GUIDE; COMBI OVEN	SNA
20-2-1	111721	WIRE-SADDLE; 2N,PA66,,,,,,,,,	SA

Cavity Parts List

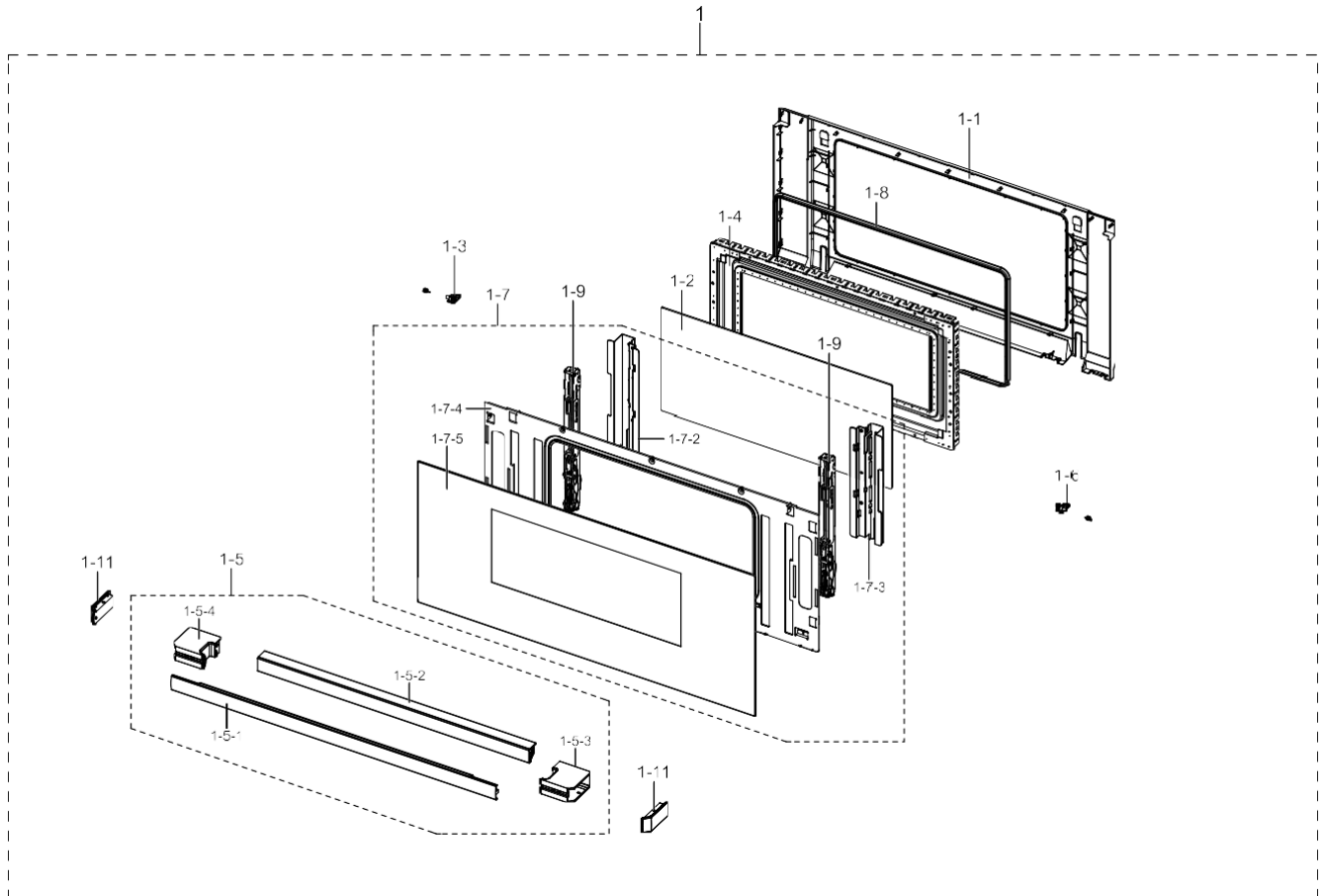
No.	Dacor Part #	Description	SNA
20-3	111746	MOTOR AC FAN-BLOWER; SMB-U367A,2,120V,60H	SA
20-4	111747	SENSOR MAG; 5V,MMX2X1H	SA
20-5	111753	ASSY WIRE HARNESS-SENSOR; NQ9300M, UPPER	SA
21		ASSY HOLDER PCB; DOC30M977**/DA,SMPS	SNA
21-1	111195	ASSY MODULE; STD #8 SMPS,FOOD SHOWCASE,45	SA
22		ASSY HOLDER PCB; COMBI OVEN,NOISE FILTER	SNA
22-1	111713	HOLDER NOISE FILTER; MC324GAKCBB,PP,WHITE	SA
22-2	111738	ASSY NOISE FILTER; SN-UF12C,250V/20A,250V	SA
23		ASSY COVER LAMP; DOC30M977DS/DA, WHITE, WIR	SNA
23-1		ASSY COVER LAMP-LEFT; DOC30M977DS/DA,WHIT	SNA
23-1-1	111720	GLASS LAMP; NQ70M6650DS,GLASS,T3.2,TEMPER	SA
23-1-2	111722	RUBBER GLASS; COMBI OVEN,SILICON RUBBER,B	SA
23-1-3	111741	ASSY LAMP LED; 6,METAL,12*120*1.6T(Metal)	SA
23-2		ASSY COVER LAMP-RIGHT; DOC30M977DS/DA,WHI	SNA
23-2-1	111720	GLASS LAMP; NQ70M6650DS,GLASS,T3.2,TEMPER	SA
23-2-2	111722	RUBBER GLASS; COMBI OVEN,SILICON RUBBER,B	SA
23-2-3	111741	ASSY LAMP LED; 6,METAL,12*120*1.6T(Metal)	SA
23-3	111742	ASSY WIRE HARNESS-DC SIGNAL; NQ70M6650DS,	SA
24		ASSY BRACKET HVT; COMBI OVEN	SNA
24-1	111714	CUSHION RUBBER; TRIO-PLUS BI,EPDM,T5.0,W1	SA
24-2	111715	CUSHION RUBBER; TRIO-PLUS BI,EPDM,T5.0,W1	SA
25	111704	TRANS H.V; SHV-U1870C,120V,2500,2260V/3.4	SA
26		ASSY HOLDER PCB; DOC30M977D*	SNA
26-1	111724	ASSY PCB MAIN; MW8000J-MAIN-14,NQ9300M_MO	SA
27	111743	ASSY WIRE HARNESS-MAIN; NQ70M7770DS/AA,12	SA
28	111752	ASSY WIRE HARNESS-POWER; NV51K****, DOUBL	SA
29	111718	TRAY COOKING; COMBI OVEN,GLASS	SA
30		ASSY CUSHION TRAY; COMBI OVEN	SNA
30-1		ASSY WIRE RACK-LOW; COMBI OVEN,PI3	SNA
30-2	111745	ASSY WIRE RACK-MIDDLE; SMV9165,PI3/PI3,-,	SA
30-2-1	111711	SPACER-RACK WIRE; JMV9169BA,TEFLON,12,WHT	SA
30-3	111727	ASSY TRAY BROILER; MC35J8088CT/SG,AI,TEFL	SA
31	111750	HANDLE GRIP; BT62FQBPST,MSWR,Ni-Cr Platin	SA
32		ASSY TRIM-RIGHT; DOC30M977DS/DA,COMBI OVE	SNA
33		ASSY TRIM-LEFT; DOC30M977DS/DA,COMBI OVEN	SNA
34		SUPPORT CAVITY-MIDDLE; NQ9300M,GI-SGCC,T1	SNA
35		ASSY COVER; COMBI OVEN,COVER WIRE	SNA
36		ASSY BRACKET SUPPORTER; COMBI OVEN,LEFT	SNA
37		ASSY BRACKET SUPPORTER; COMBI OVEN,RIGHT	SNA
38		HOLDER HOSE; NV51K6650DS,GI-SGCC,T1.6,WAL	SNA

Cavity Parts List

No.	Dacor Part #	Description	SNA
39		SPACER PANEL; NV51K6650DS,PBT+GF,I17,O48,	SNA
40		CASE-LEFT; COMBI OVEN,GA-SGCC,T0.6	SNA
41		CASE-RIGHT; COMBI OVEN,GI-SGCC,T0.6	SNA
42		BRACKET CAVITY-BOTTOM; COMBI OVEN,CR-SPCC	SNA
43		GUIDE AIR MGT; COMBI OVEN,PBT,BLACK,PBT+G	SNA
44		CASE-REAR; COMBI OVEN,GI-SGCC,T0.6	SNA
45		ADIABATIC-TOP; GLASS WOOL,T5,NQ9300,100K	SNA
46		COVER BACK; NQ9300M,GI-SGCC,T0.6	SNA
47		COVER CASE-REAR; COMBI OVEN,GI-SGCC,T0.6,	SNA
48		COVER LATCH; COMBI OVEN,PP,V0,BLACK	SNA
49		TRIM-RIGHT; NQ9300M,STS430,T1.2	SNA
50		TRIM-LEFT; NQ9300M,STS430,T1.2	SNA
51		ASSY DAMPER; COMBI OVEN	SNA
52	111757	ASSY-MGT; ASSY-MGT	
53		GASKET HEATER; COMBI OVEN,BRASS,T2,90.5,1	SNA
54		ASSY COVER ADIABATIC; COMBI OVEN,BOTTOM	SNA
55		BRACKET HINGE; NQ9300M,GI-SGCC,T1.6	SNA
56		ASSY COVER ADIABATIC; COMBI OVEN,LEFT	SNA
57		ASSY CASE-UP; COMBI OVEN	SNA
58		ASSY COVER AIR; COMBI OVEN	SNA
59		ASSY BRACKET SUPPORTER; COMBI OVEN	SNA
60		ASSY MOTOR; COMBI OVEN,SMB-U205A,120V,60H	SNA
60-1		ASSY BRACKET MOTOR; COMBI OVEN,BRACKET MO	SNA
62		ASSY HOLDER PCB; DOC30M977**/DA,RELAY	SNA
62-1	111726	ASSY MODULE; ASSY RELAY MODULE,MODERN,Mod	SA
63	111749	COVER WIRE; NW51K7650SS,PP,NATURAL,NW9000	SA
64		COVER ADIABATIC-BOTTOM; NQ9300M,EGI-SECC,	SNA
65	111700	SCREW-TAPTYPE; PH,+,WT,B,M4,L8,ZPC(WHT),S	SA
66	111700	SCREW-TAPTYPE; PH,+,WT,B,M4,L8,ZPC(WHT),S	SA

2. Assy Door

Exploded View



Assy Door Parts List

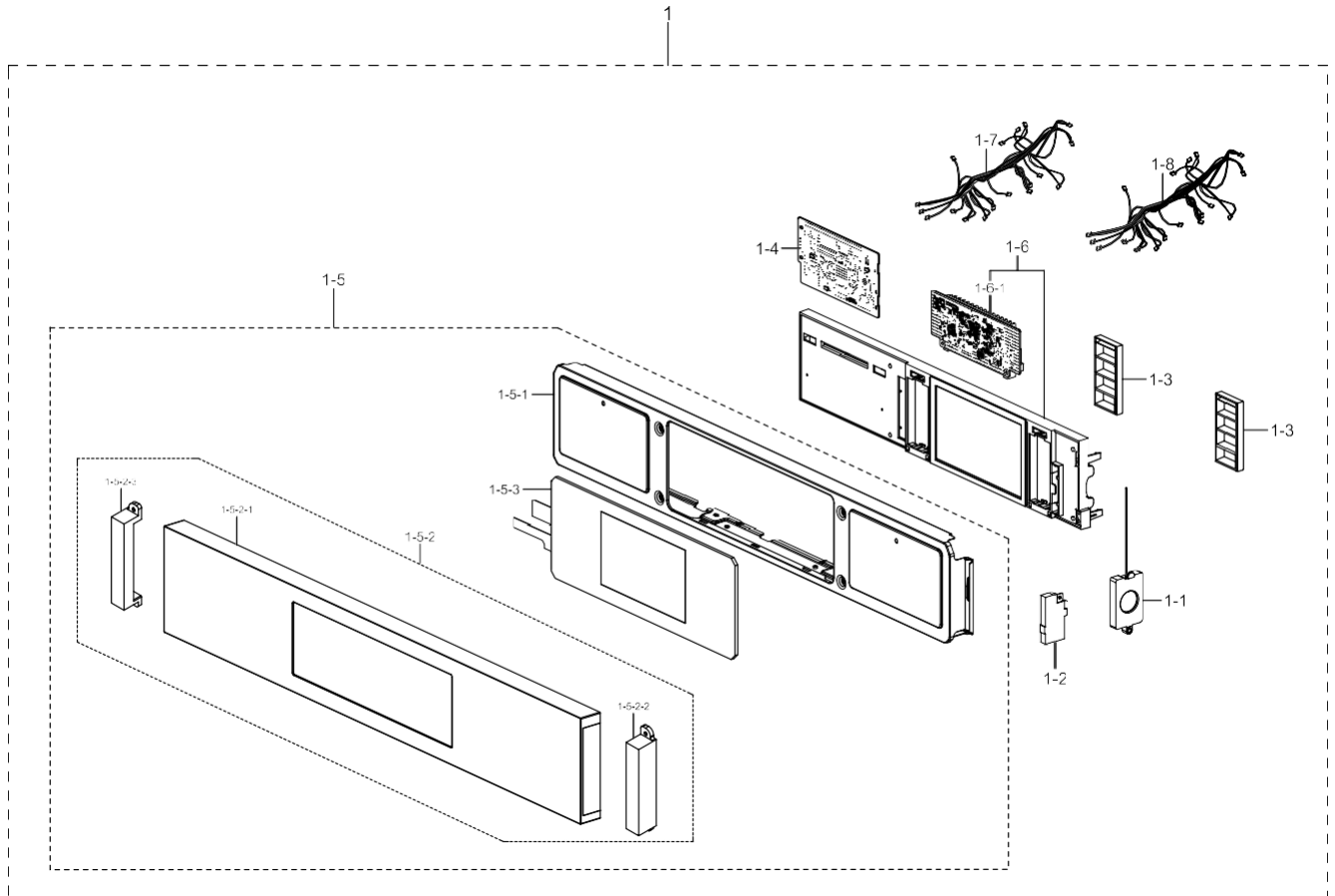
No.	Dacor Part #	Description	SNA
1		ASSY DOOR; DOC30M977DM/DA,BLACK	SNA
1-1		DOOR C; DOC30M977DM,PBT,KP213G15SIBL,BLAC	SNA
1-2		GLASS-IN; NQ70M6650DS,GLASS,T3.2,TEMPERD	SNA
1-3		KEY DOOR-LEFT; NQ70M6650DS,ZNDC	SNA
1-4		ASSY DOOR E SUB; COMBI OVEN,BLACK,CLEAR V	SNA
1-5	111734	ASSY HANDLE-SUB; DOC30M977DM/DA,AL,BLACK	SA
1-5-1		HANDLE SUB; DOC30M977D/DA,AL,BLACK,COMBI	SNA
1-5-2		HANDLE; DOB30M977SM,AL,BLACK,MODERN WALL	SNA
1-5-3		SUPPORT HANDLE-RIGHT; A5052,BLACK,DOC30M9	SNA

Assy Door Parts List

No.	Dacor Part #	Description	SNA
1-5-4		SUPPORT HANDLE-LEFT; A5052,DOC30M977DS,CO	SNA
1-6		KEY DOOR-RIGHT; NQ70M6650DS,ZNDC	SNA
1-7		ASSY DOOR SUB; DOC30M977DS/DA	SNA
1-7-2		FRAME DOOR-LEFT; NQ70M7770DS,CR-SPP,T1.0	SNA
1-7-3		FRAME DOOR-RIGHT; NQ70M7770DS,CR-SPP,T1.0	SNA
1-7-4		HOLDER GLASS; NQ70M7770DS,CR-SPCC,T1.0	SNA
1-7-5		GLASS DOOR-OUT; DOC30M977DS/DA,GLASS,T3.2	SNA
1-8		GASKET DOOR; NQ70M6650DS,SI,BLACK	SNA
1-9	111735	ASSY HINGE; DOC30M977DS/DA,SPHC,POONGWON	SA
1-11		CAP HANDLE; DOC30M977DS,AI,BLACK,NQ9300M,	SNA

3. Assy Control

Exploded View



Assy Control Parts List

No.	Dacor Part #	Description	SNA
1		ASSY CONTROL PARTS; DOC30M977DM/DA,BLACK	SNA
1-1	111696	SPEAKER; 82dB,500,60.5*40.0*10.5	SA
1-2	110640	W-LAN MODULE; DWMSMQ96L01S,IEEE802.11,2.4	SA
1-3	111703	LED DISPLAY; 10S,5D,Modem Key Backlight,	SA
1-4	111725	ASSY PCB SUB; WALL_LCD_SUB_05,NQ9300M_MOD	SA
1-5		ASSY CONTROL SUB; DOC30M977DM/DA,BLACK	SNA
1-5-1		BRACKET PANEL; DOB30M977DS,EGI-SECC,T0.8,	SNA
1-5-2		ASSY CONTROL CHASSIS; DOM30M977*M,-,BLACK	SNA
1-5-2-1		CHASSIS PANEL; DOB30M977SM,AI,-,BLACK,MOD	SNA
1-5-2-2		BRACKET CHASSIS PANEL-RIGHT; NV51K7770DG,	SNA

Assy Control Parts List

No.	Dacor Part #	Description	SNA
1-5-2-3		BRACKET CHASSIS PANEL-LEFT; NV51K7770DG,A	SNA
1-5-3		ASSY TOUCH; DOC70M977DS,FINETEK,W333xL124	SNA
1-6	111732	ASSY CONTROL PANEL; DOC30M977DS/DA,COMBI	SA
1-6-1		ASSY PCB DISPLAY; LCD PBA,COMBI OVEN,164x	SNA
1-7	111744	ASSY WIRE HARNESS-DISPLAY; DOC30M977D*,12	SA
1-8	111754	ASSY WIRE HARNESS-COMM; DOB30M977**,12VDC	SA