

The Dacor logo is rendered in a bold, italicized, sans-serif font with a metallic, 3D effect. The letters are dark with a lighter, reflective highlight on the top and left sides, giving it a sleek, modern appearance.

The Life of the Kitchen.®

A photograph of a white Dacor wall oven is shown in a kitchen setting. The oven is mounted on a wooden cabinet. On the stovetop, there is a white bowl and a large silver pot. The background shows a kitchen counter with various items like a coffee maker and a toaster. The text 'PARTS CATALOG' is overlaid on the image in a large, bold, sans-serif font with a slight shadow effect.

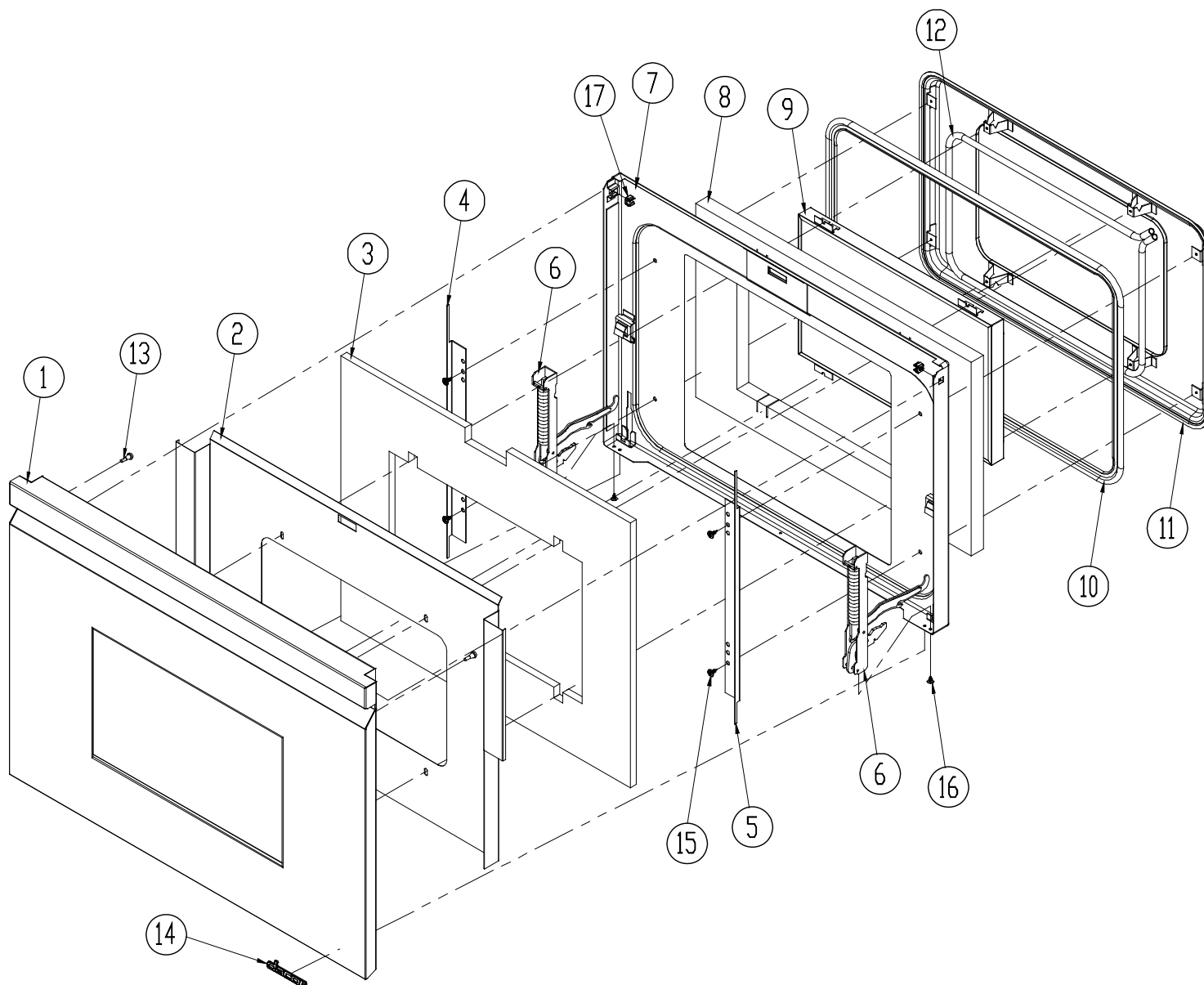
PARTS CATALOG

D0230 Wall Oven

Page #	Description
2	Door Assembly
3	Case Assembly (Front)
5	Case Assembly (Back)
7	Bezel Assembly
8	Sub Chassis Assembly
9	Cell Assembly (Upper)
10	Cell Assembly (Lower)

Revised 02-20-2015

DO230 Door Assembly (Upper & Lower)



Item	Part #	Description
1	701348 ¹	Asy, Door, Skin w/ Logo ¹
1	701384 ²	Asy, Door Skin w/o Logo ²
2	106746B	Heat Shield, 30" Door
3	80213	Insulation, 30" Outer Liner
4	36618	Side Shield, Right
5	36617	Side Shield, Left
6	82508 ³	Hinge, Epicure Door ³
7	701315BP	Outer Liner Weldment
8	80207	Insulation, Door
9	72148	Window Pack, 1"

Item	Part #	Description
10	72020	Gasket, 30" Oven Door
11	27728BP	Asy, Inner Liner
12	100073	Gasket, Window Pack
13	83618	Rubber Bumper
14	72510CH	Logo, Dacor, 3" Chrome
15	83499	Screw, Phil, #10 x 1/2"
16	83263	Screw, Phil Wfr, #8 x 3/8"
17	83418	Nut Retainer

¹Order as kit # 701348, includes door skin with glass, logo and rubber bumpers installed.

²Order 701384, includes door skin with glass and rubber bumpers installed.

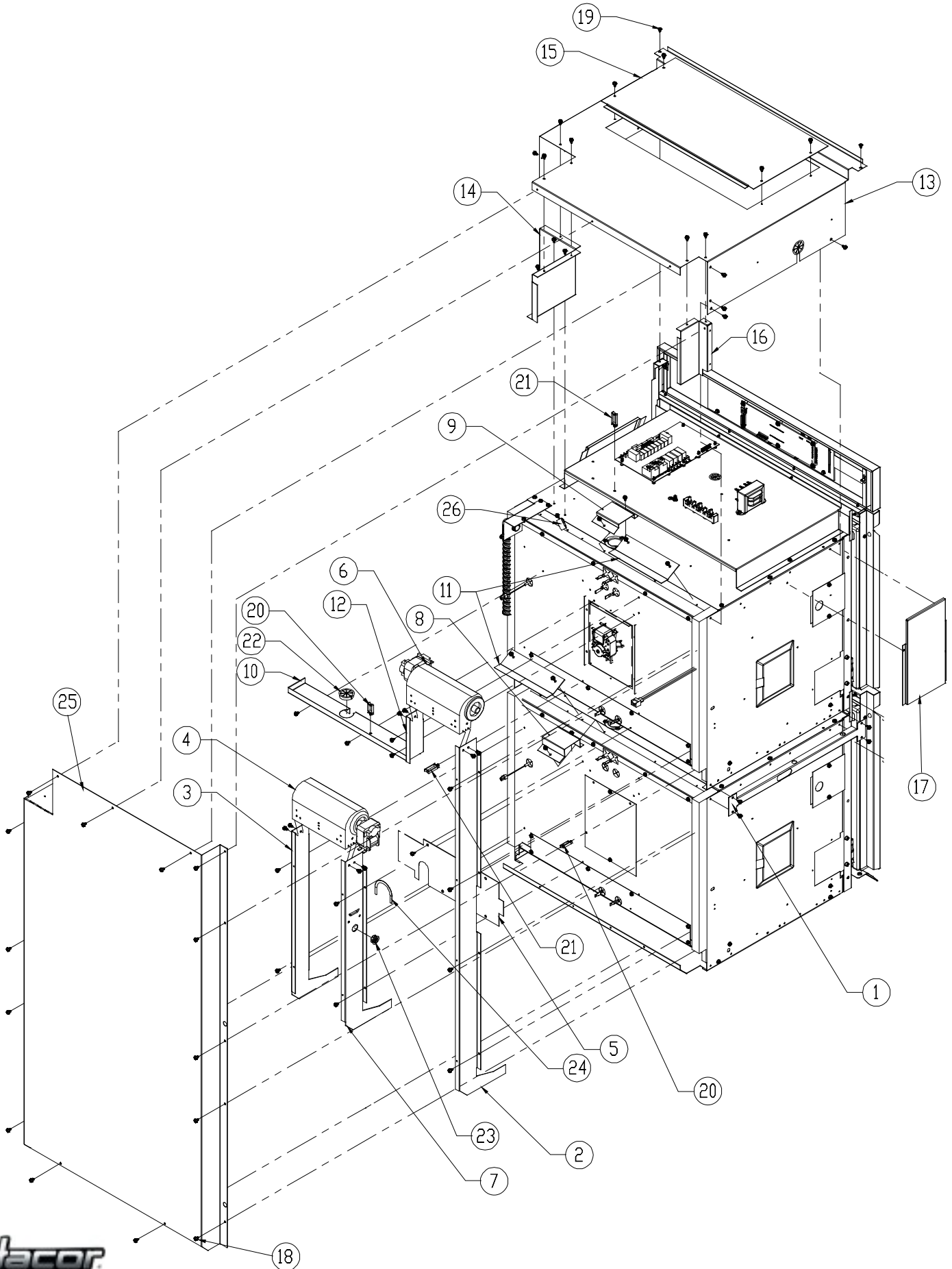
³Order as kit #701035, includes both hinges.

D0230 Case Parts (Front)

Item	Part #	Description
1	102552	Assembly, Exhaust Plate
2	See page 8	Assembly, Sub-Chassis, 30"
3	See page 7	Assembly, Bezel/Membrane, 30"
4	26420	Conduit, 1/2" Flex
5	82195	1/2" 90° Squeeze Connector
6	102382	Top Cover, 30"
7	26584	Conduit MTG Bracket
8	83133	Bushing, 1/2", Red
9	83555	Fiber Washer w/ Adhesive
10	106655	Exhaust Grill, 30"
11	106760	Cover, Light Wires
12	83534	Screw, Wfr HD, #8 x 3/8"
13	83026	Screw, Slot HWH, #10 x 3/4"
14	83263	Screw, Phil Wfr, #8 x 3/8"
15	92191-03	Bushing, Split, 1.375"
16	27667B	Trim Post, Left
17	27666B	Trim Post, Right
18	106745B	Intake Grill
19	701582 ¹	Door Latch ¹
20	62775	High Limit Switch

¹Must order kit # 701582. Includes latch, latch plate and 6 screws.

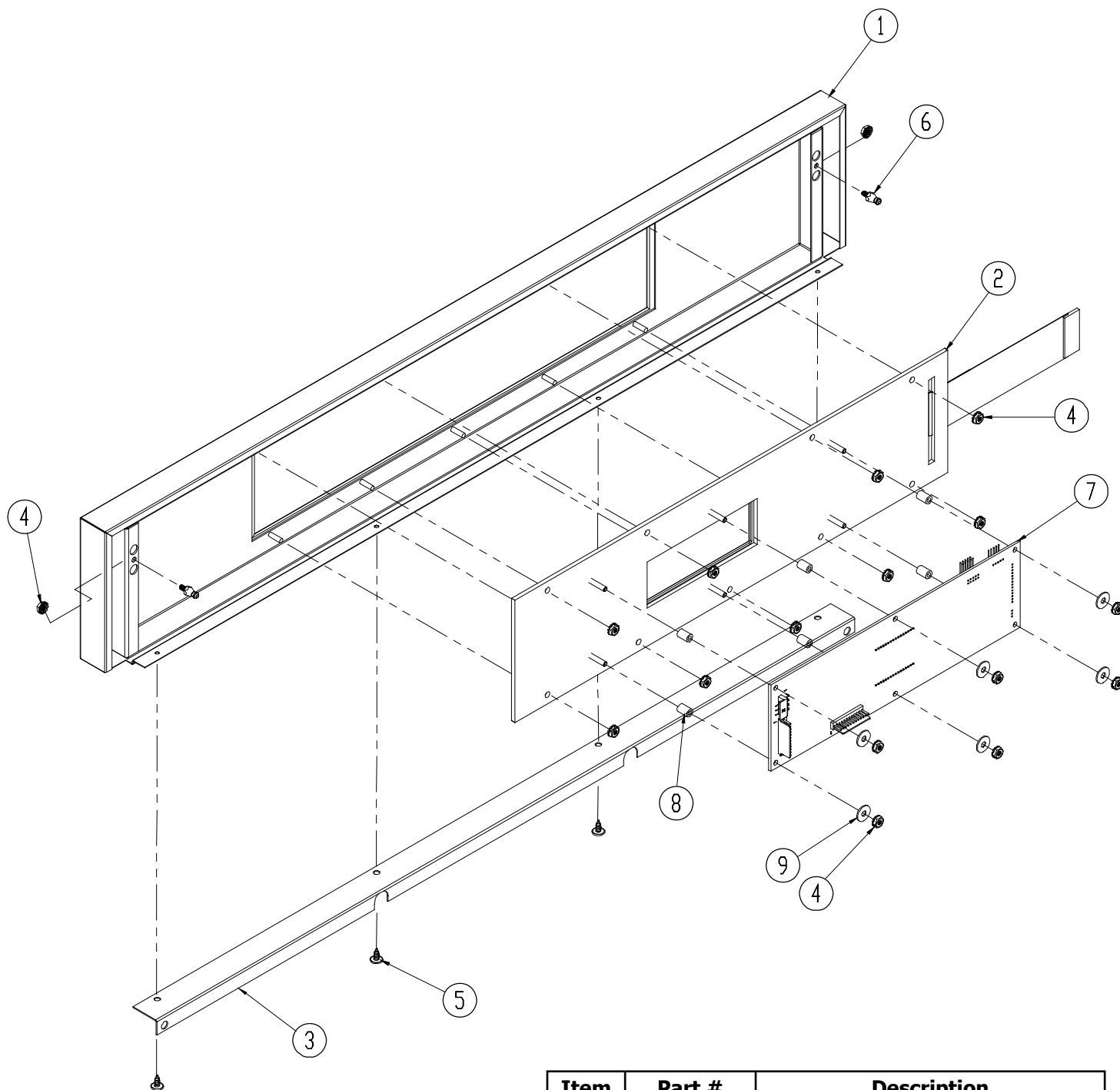
D0230 Case Assembly (Rear)



D0230 Case Parts (Rear)

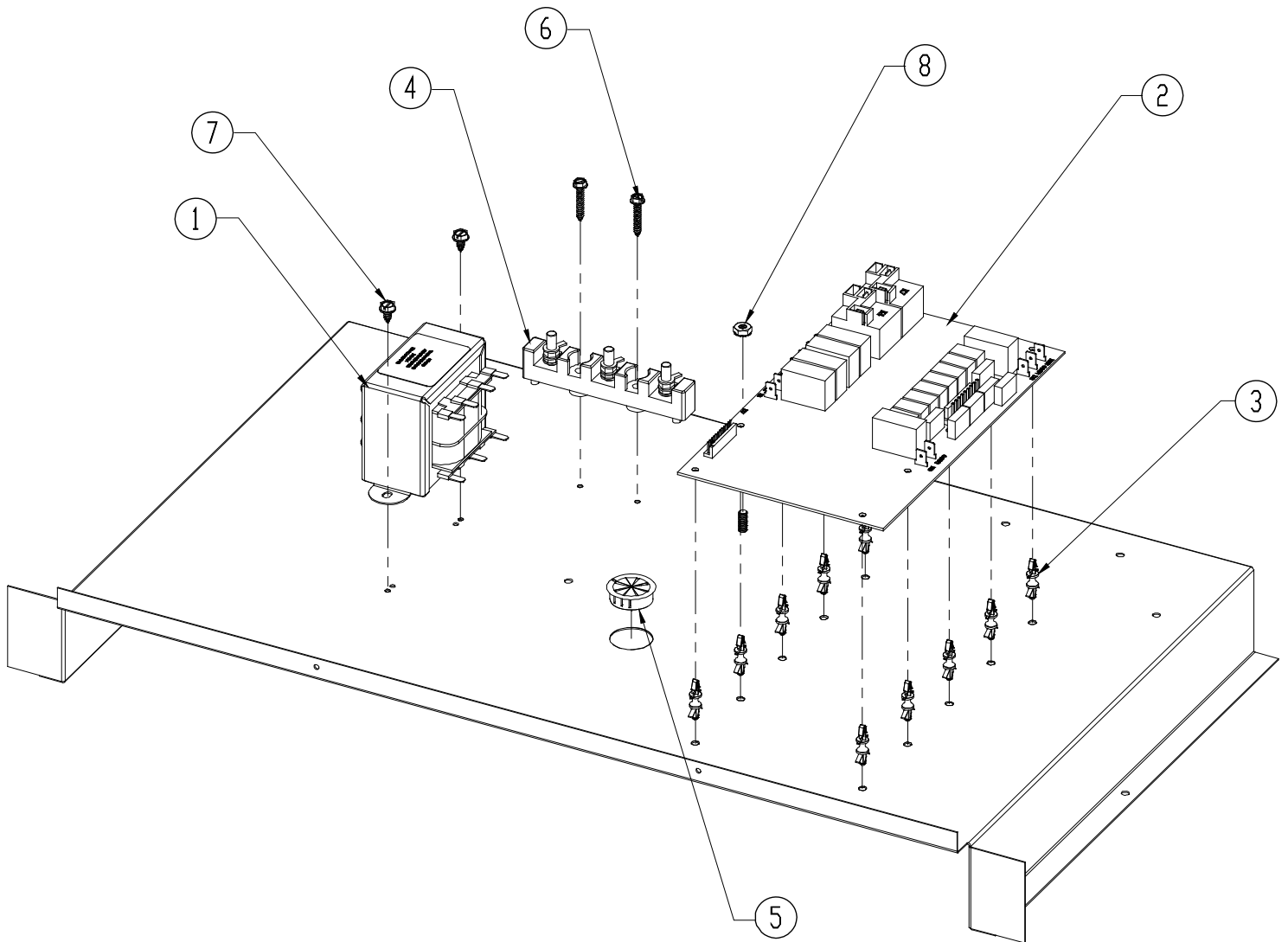
Item	Part #	Description
1	36319	Oven Support Bracket
2	102258-02	Duct, Double, Right
3	102259-02	Duct, Single, Left
4	102334	Fan, Cooling, Lower Oven
5	106784	Cover, Middle Double
6	82986	Fan, Cooling
7	102259-04	Duct, Single, Right
8	100471	Duct, Smoke Eliminator, Double
9	46320	Duct, Upper, Smoke Eliminator
10	102249	Case Back, Shield, 30"
11	102387	Fan, Duct Spacer
12	106241	Duct, Distinctive, 30"
13	102382	Top Cover, 30"
14	102869	Corner, Top Cover
15	36318	Service Panel, Top Cover
16	103710	Blower Corner, Top Cover
17	106759	Cover, Meat Probe Wire
18	83023	Screw, Slot HWH, #10 x 3/8"
19	83263	Screw, Phil Wfr, #8 x 3/8"
20	92023-01	Cable MTG Saddle, .75
21	92023-03	Cable MTG Saddle, 1.44
22	92191-03	Bushing, Split, 1.375"
23	92191-01	Bushing, Split, .75"
24	62350	Trim, Edge
25	102375	Back Cover, Double
26	83167	Clamp, Cable, 1"

D0230 Bezel Assembly



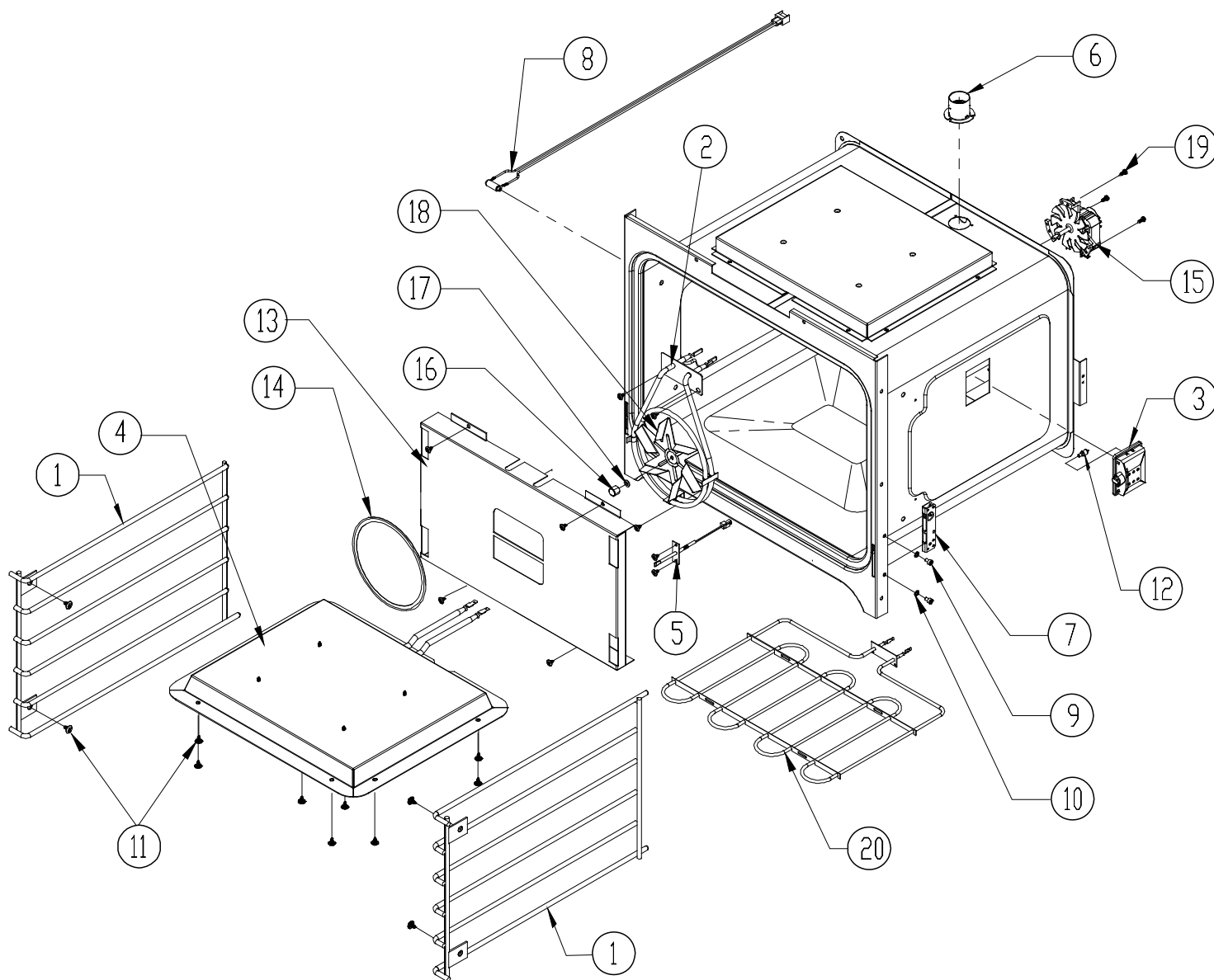
Item	Part #	Description
1	701346	Assembly, Bezel
2	701349-03	Assembly, Membrane/Switch Panel
3	26268B	Control Panel, Trim
4	83308	Nut, Keps, 6-32
5	83263	Screw, Phil TRS, #8 x 3/8"
6	83539	Ball Stud
7	106762	Display Module, Double
8	83189	Spacer, .138 ID x .25 OD x .375 L
9	83080	Washer, Nylon, 1/2" x .172 x .040

D0230 Sub Chassis Assembly



Item	Part #	Description
1	62808	Transformer, 40 VA
2	102380	Relay Board
3	83538	PCB Support, Nylon
4	700723	Assembly, Wire Harness (not fully shown)
5	92191-02	Bushing, Split 1"
6	83569	Screw, Slot Hex HD, #8 x 1"
7	83023	Screw, Slot HWH, #10 x 3/8"
8	83009	Nut, Keps, #10-24
9	108331	Cable, Controller to Relay Board (not shown)

D0230 Cell Assembly (Upper-Convection)



Item	Part #	Description
1	82650 ¹	Rack Support
2	82377	Convection Element, 240 V
3	92398	Assy, Light, Halogen, 20 W
4	700713	Assy, Broiler, 3100 W
5	72752	Temperature Sensor
6	72755	Smoke Eliminator
7	82851	Receptacle, Hinge
8	72717	Meat Probe Socket
9	83553	Screw, Socket HD, M5 x 0.8 mm
10	83340	#10 Lock Washer

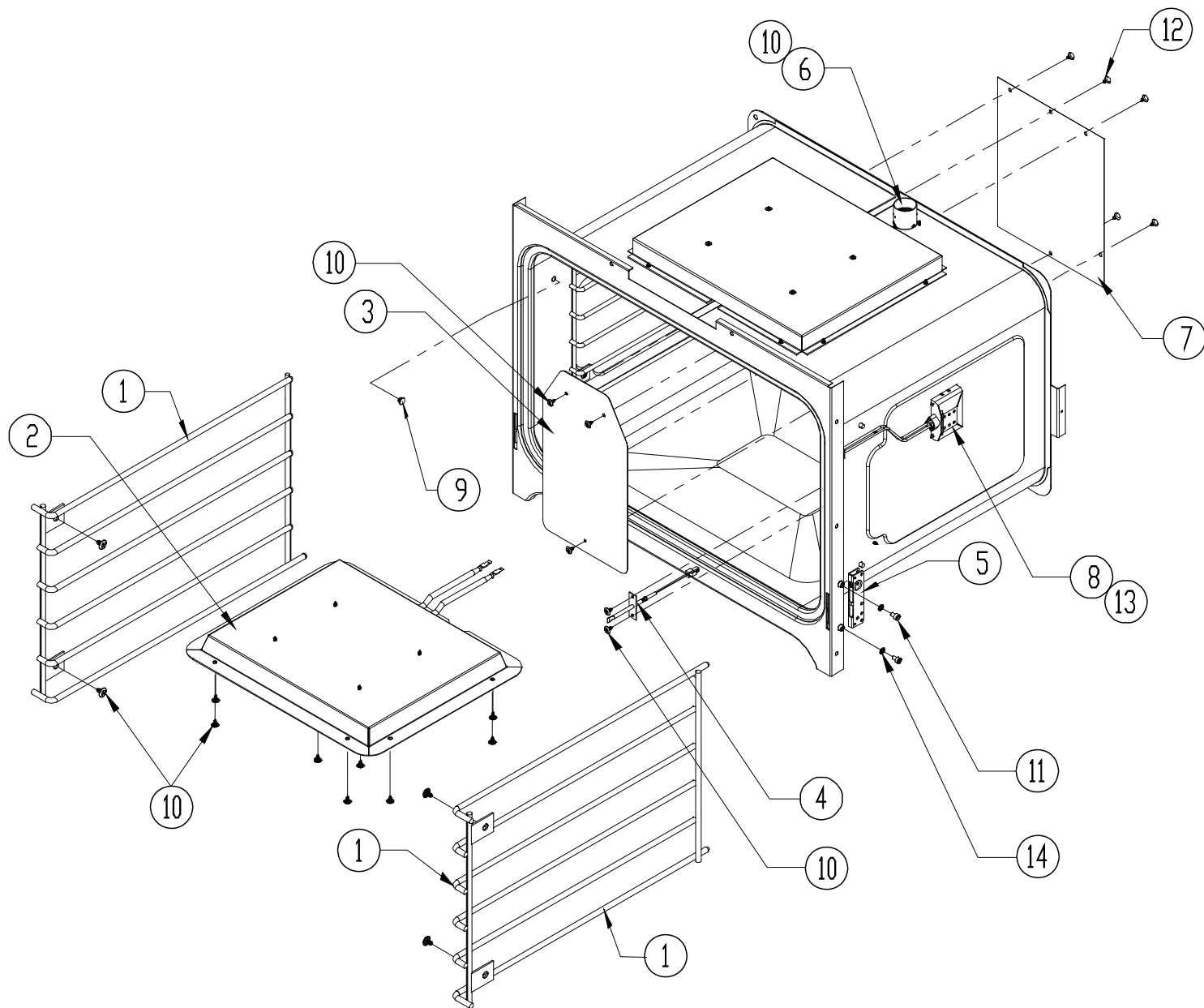
¹Use PN 105875 for Rev B units. Units built before and after this revision use PN 82650.

Item	Part #	Description
11	83534	Screw, Wafer HD, #8 x 3/8"
12	100429	Bulb, Halogen, 20 W
13	106752BP	Convection Baffle, BP
14	82891	Filter, Convection Oven
15	82647	Convection Oven Motor
16	102137	Hex Nut, Convection Fan
17	102136	Washer, Convection Fan
18	101511	Fan Blade, Convection Fan
19	83379	Screw, HWH, #8 x 1/2"
20	701611 ²	Bake Element ¹
-	103807	Oven Rack, 30" (not shown)
-	701598-02	GlideRack Oven Rack, 30" (not shown)

²Must order kit # 701611. Includes bake element and replacement insulation.



D0230 Cell Assembly (Lower-No Convection)



Item	Part #	Description
1	82650 ¹	Rack Support
2	700713	Assy, Broiler, 3100 W
3	26545BP	Cover, Convection Opening
4	72752	Temperature Sensor
5	82851	Receptacle, Hinge
6	72755	Smoke Eliminator
7	26547	Cover, Convection Rear
8	92398	Assy, Light, Halogen, 20 W

Item	Part #	Description
9	102468	Plug, Meat Probe Socket
10	83534	Screw, Wafer HD, #8 x 3/8"
11	83553	Screw, Socket HD, M5 x 0.8 mm
12	83023	Screw, Slot HWH, #10 x 3/8"
13	100429	Bulb, Halogen, 20 W
14	83340	#10 Lock Washer
-	103808	Oven Rack, 30" (not shown)
-	701598-02	GlideRack Oven Rack, 30" (not shown)