

The Dacor logo is rendered in a bold, italicized, sans-serif font with a metallic, 3D effect. The letters are dark with a lighter, reflective highlight on the top and left sides, giving it a sleek, modern appearance.

The Life of the Kitchen.®

A white Dacor microwave oven is the central focus, set against a blurred background of a kitchen. The microwave has a control panel on the left side and a glass door. The words "PARTS CATALOG" are overlaid in large, semi-transparent, 3D block letters across the front of the microwave.

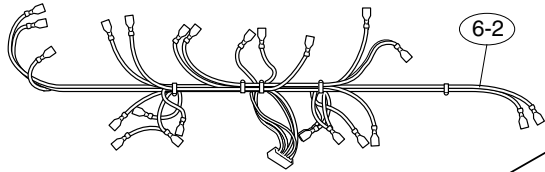
**PARTS  
CATALOG**

## **DMW2420 Microwave Oven**

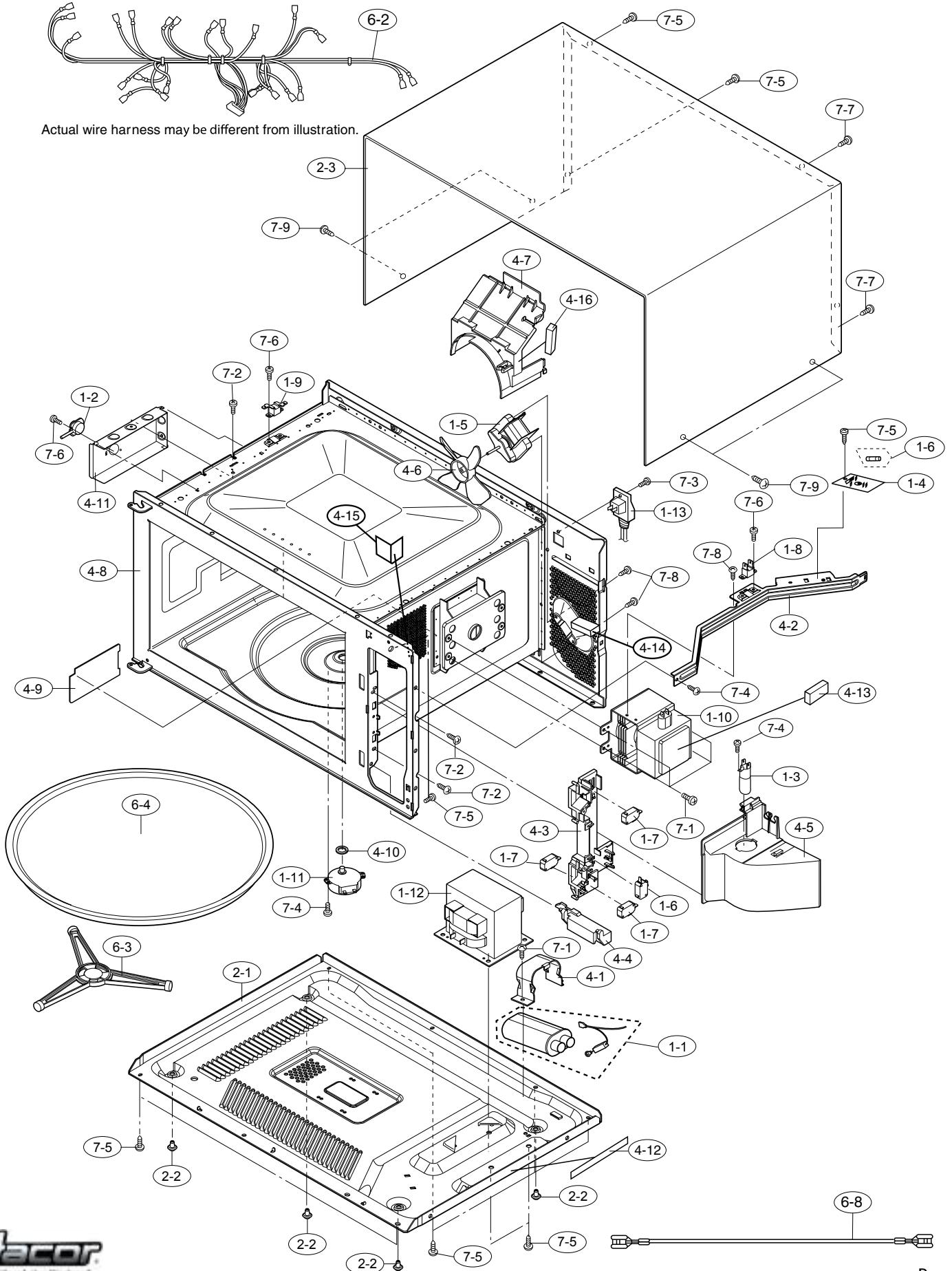
<b>Page</b>	<b>Description</b>
<b>2</b>	<b>Chassis Assembly</b>
<b>3</b>	<b>Chassis Parts</b>
<b>4</b>	<b>Control Panel Assembly</b>
<b>5</b>	<b>Door Assembly</b>

Revised 01-26-2015

# DMW2420 Microwave Chassis Assembly



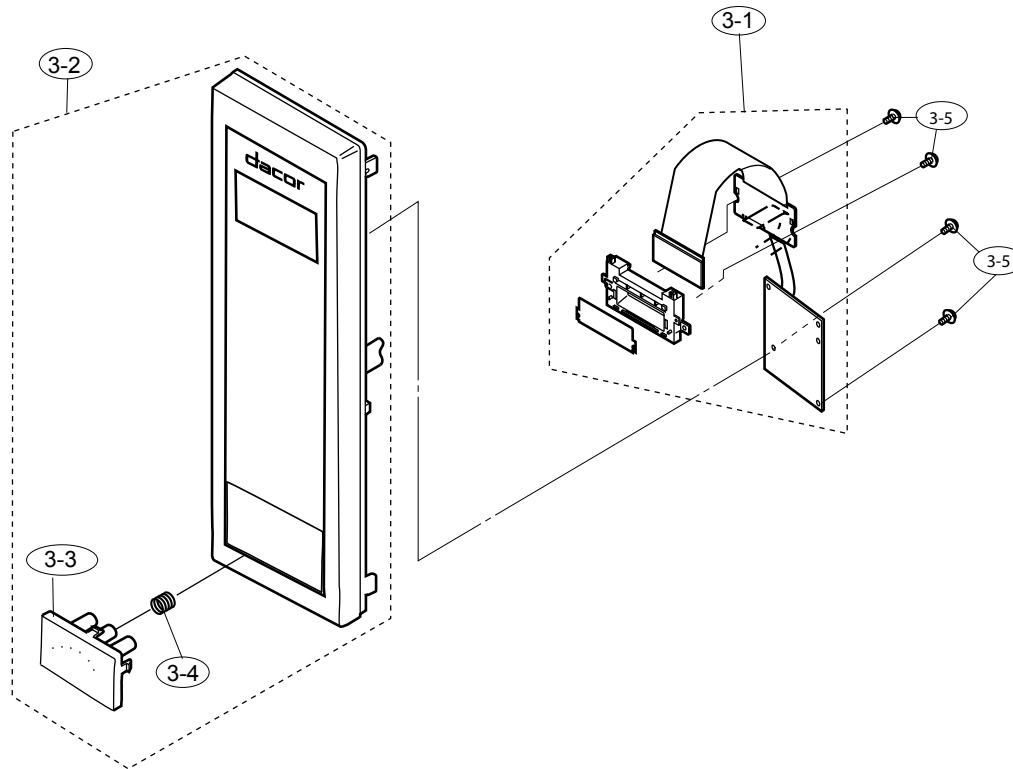
Actual wire harness may be different from illustration.



# DMW2420 Microwave Chassis Parts

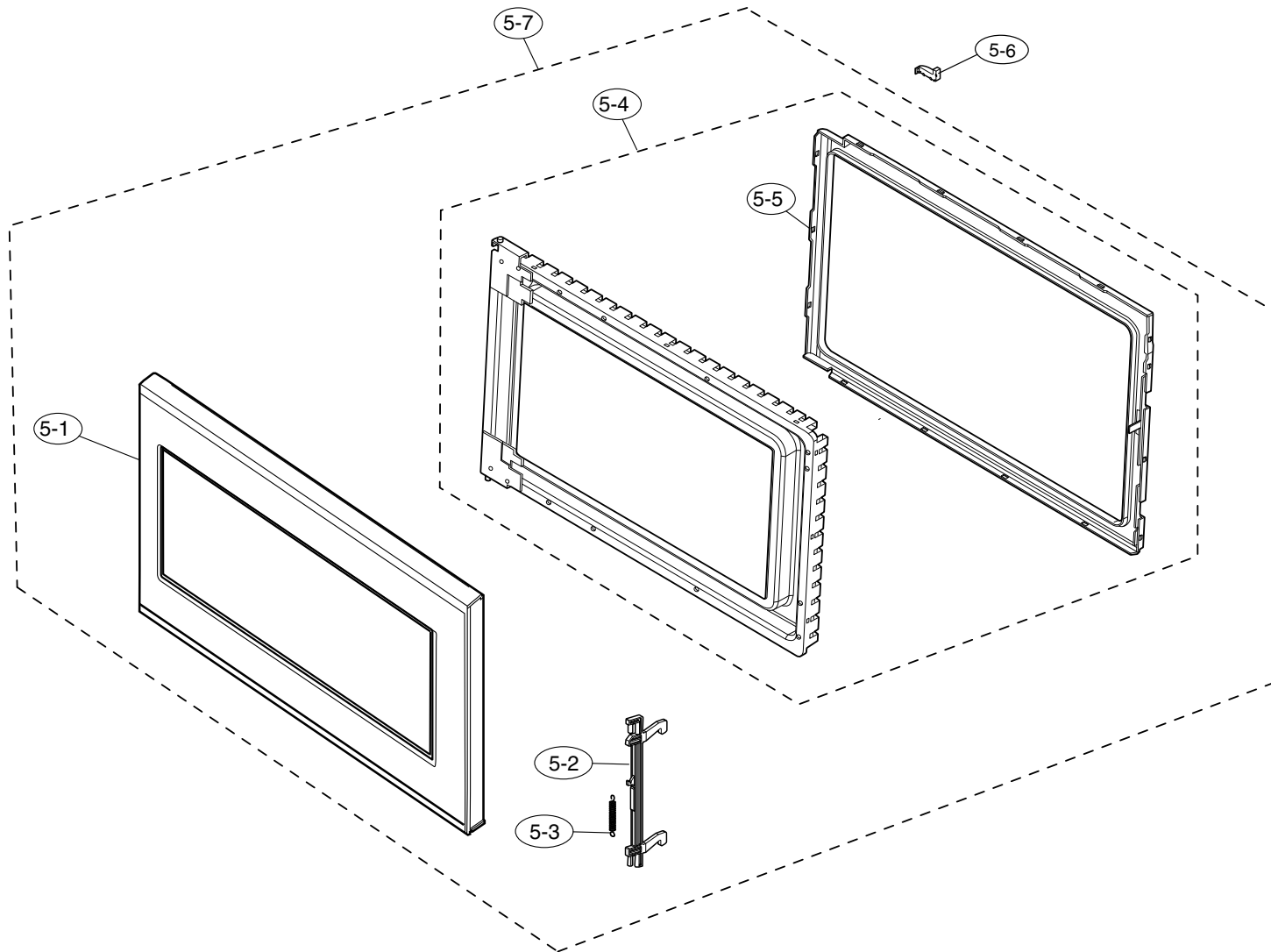
Item	Part #	Description
1-1	105418	High Voltage Assembly
1-2	105419	AH Sensor
1-3	105420	Oven Lamp
1-4	101937	Noise Filter
1-5	86805	Fan Motor
1-6	66179	Monitor Switch & Fuse Assembly
1-7	66236	Secondary Interlock Switch
1-8	86794	Magnetron Temperature Fuse
1-9	86795	Cavity Temperature Fuse
1-10	105421	Magnetron
1-11	66245	Turntable Motor
1-12	105422	Power Transformer
1-13	105423	Power Supply Cord
2-1	105424	Base Plate
2-2	105425	Foot
2-3	105426	Outer Case Cabinet
4-1	105429	H.V. Capacitor Band
4-2	105430	Chassis Support
4-3	105431	Latch Hook
4-4	86824	Switch Lever
4-5	105432	Magnetron Duct
4-6	105433	Fan Blade
4-7	105434	Fan Duct
4-8	N/A	Oven Cavity (Not Replaceable)
4-9	105435	Waveguide Cover
4-10	105436	Turntable Motor Packing
4-11	105437	Sensor Duct
4-12	105438	Cushion
6-2	105443	Main Wire Harness
6-3	105444	Turntable Support
6-4	66344	Turntable Tray
6-8	86799	High Voltage Wire A
7-1	105445	Special Screw
7-2	86820	Special Screw (Latch Hook)
7-3	86902	Screw, 4mm x12mm
7-4	86847	Screw
7-5	86905	Screw, 4mm x 12mm
7-6	101233	Screw, 3mm x 8mm
7-7	66866	Special Screw
7-8	86901	Screw, 4mm x 8mm
7-9	105446	Screw, 4mm x 12mm

# DMW2420 Microwave Control Panel Assembly



Item	Part #	Description
3-1	105427	CPU Unit
3-2	105428	Control Panel Frame Assy
3-3	66337B	Open Button Assy
3-4	76170	Open Button Spring
3-5	86780	Screw, 3mm x 10mm

# DMW2420 Microwave Door Assembly



Item	Part #	Description
<b>5-1</b>	86782S	Door Frame Assy
<b>5-2</b>	86785	Latch Head
<b>5-3</b>	86786	Latch Spring
<b>5-4</b>	105440	Door Panel
<b>5-5</b>	105441	Choke Cover
<b>5-6</b>	105442	Door Stopper
<b>5-7</b>	86781S	Door Assembly - Complete - SST