

The Dacor logo is rendered in a bold, italicized, sans-serif font with a metallic, 3D effect. The letters are dark with a lighter, reflective highlight on the top and left sides, giving it a sleek, modern appearance. A registered trademark symbol (®) is located at the end of the word.

dacor®

The Life of the Kitchen.®

A photograph of a white Dacor DCT365 cooktop installed in a kitchen. The cooktop features a stainless steel surface with six burners and a control panel with four knobs. A white bowl sits on one of the burners. The background shows a kitchen counter with various items like a bottle of oil and a bowl of fruit.

PARTS CATALOG

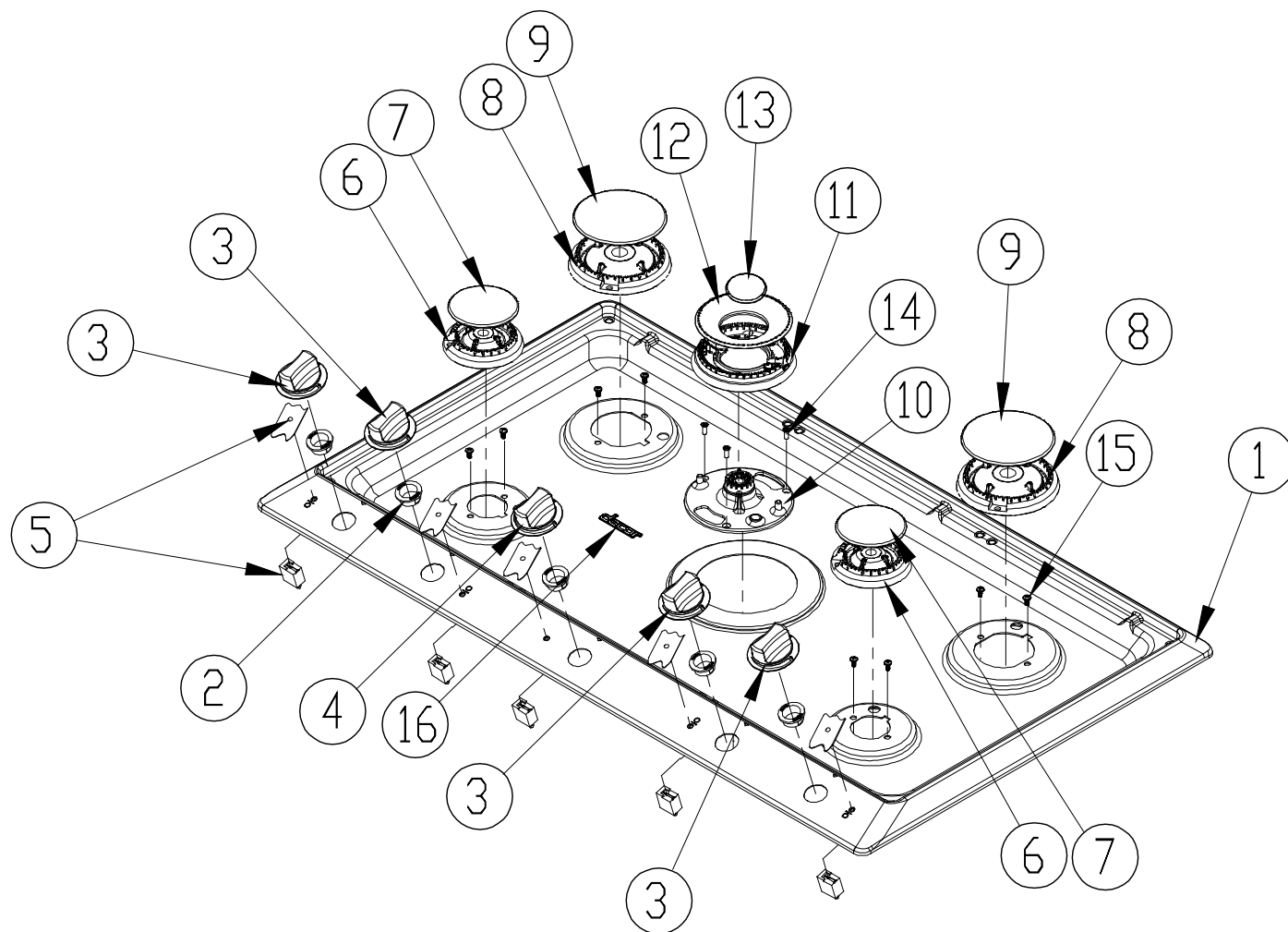
DCT365 Cooktop

Page #	Description
2	Top Frame Assembly
3	Sub-Cooktop Assembly
4	Manifold Assembly

IMPORTANT: This model is not approved for field conversions from one gas type to another and from one altitude setting to another.

Revised 09-12-2013

DCT365 Top Frame Assembly

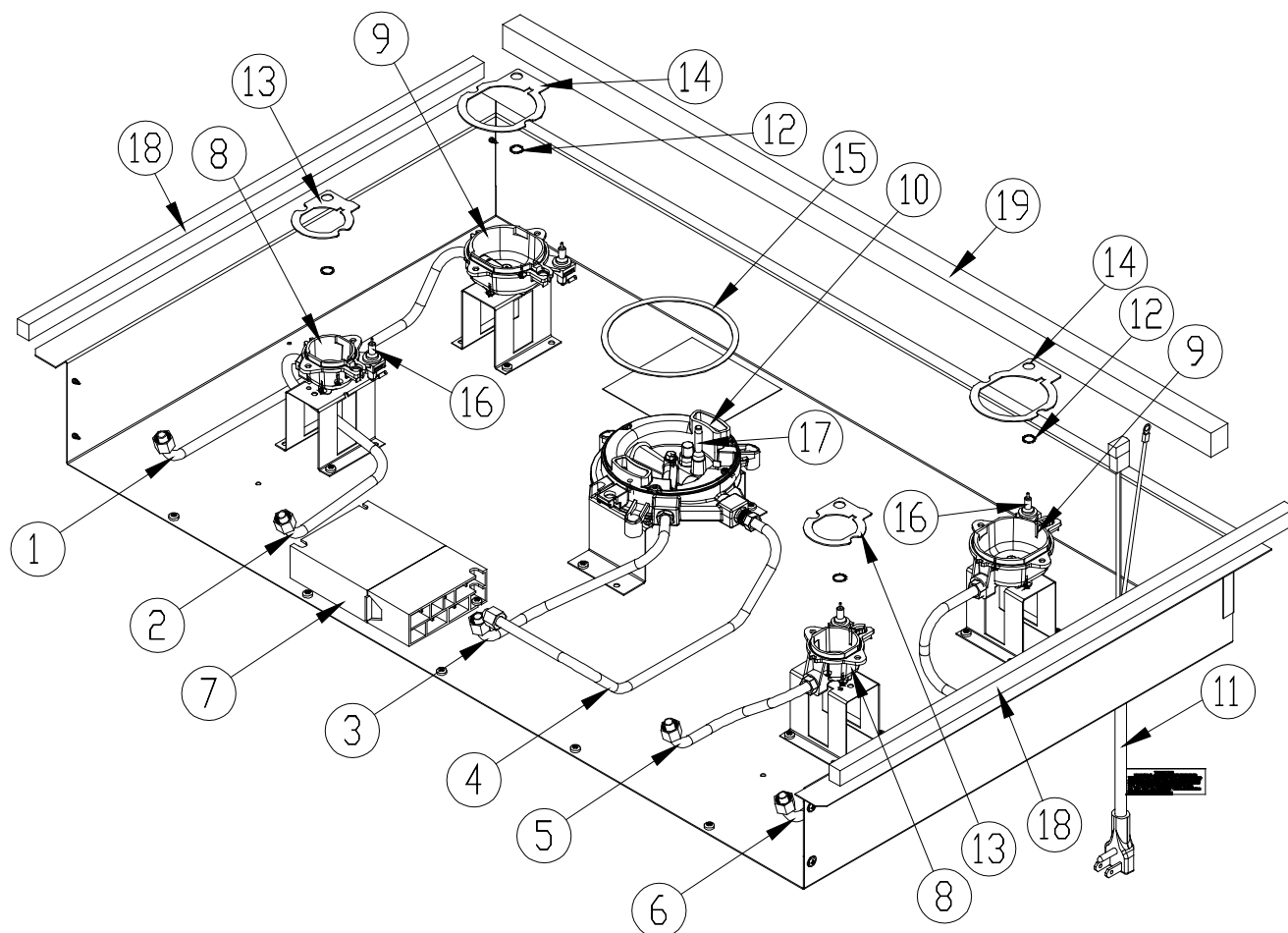


Item	Part #	Description
1	701485	Frame, Top, Etched
2	83055	Snap Bushing
3	106859-01	Knob, Single
4	106859-02	Knob, Dual
5	62036	Indicator Light, Blue, Neo
6	102594	Ring, Burner, 9.5k
7	102593	Cap, Burner, 9.5k
8	102591	Ring, Burner, 15k
9	102590	Cap, Burner, 15k
10	102587	Ring, Burner, Inner, 18k
11	102588	Ring, Burner, Outer, 18k
12	102586	Cap, Burner, Outer, 18k
13	102585	Cap, Burner, Inner, 18k
14	103755	Screw, M4 x 12mm Lg.
15	103696	Screw, M4 x 8mm Lg.
16	106920CH	Dacor Logo, 3"

Grates	
Part #	Description
106864	Grate, Center (Not Shown)
106865-01	Grate, Left (Not Shown)
106865-02	Grate, Right (Not Shown)
*Check Grate underside to verify Part # Do not mix grates.	

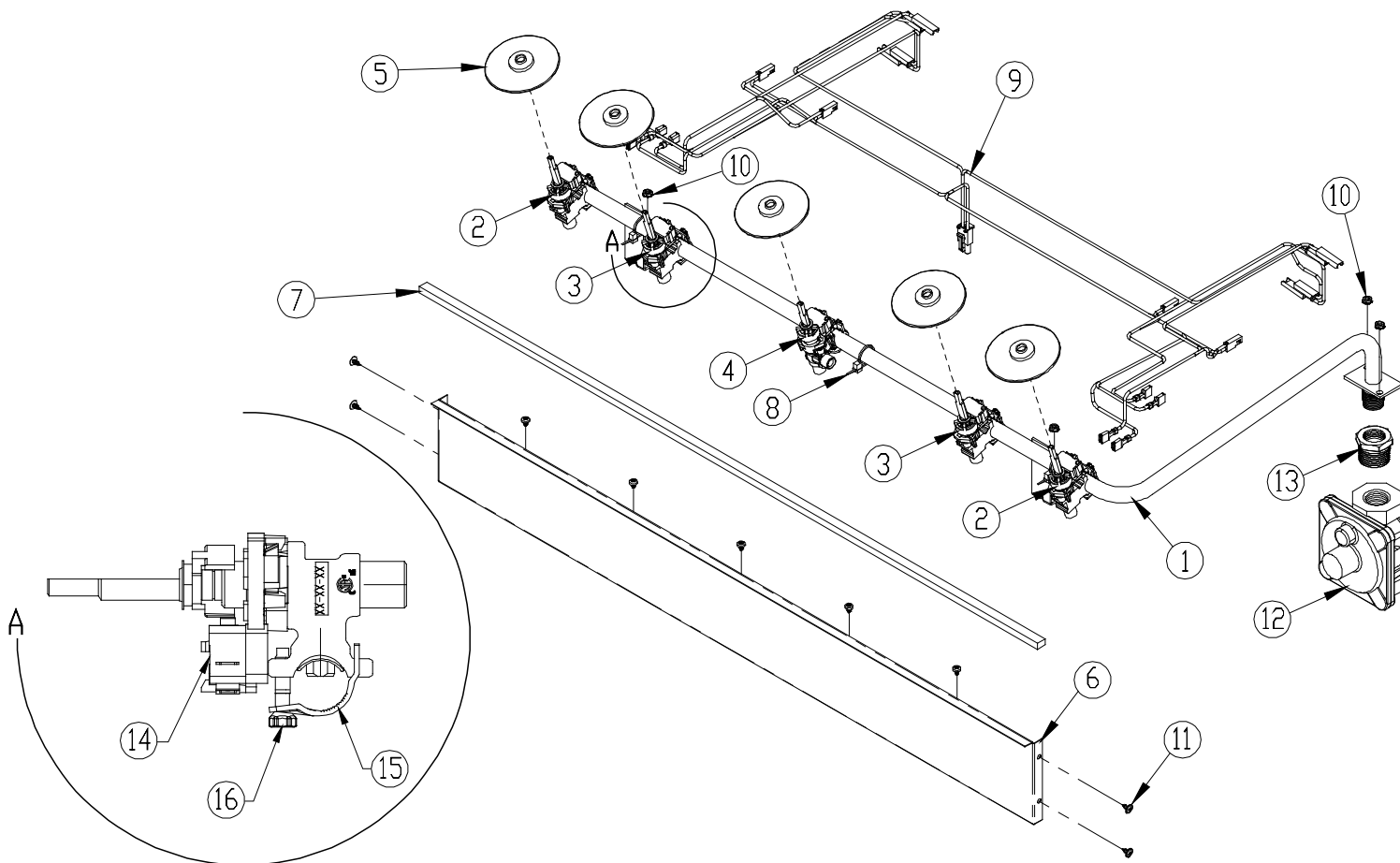
Alternate Grates	
Part #	Description
106847	Grate, Center (Not Shown)
106848-01	Grate, Left (Not Shown)
106848-02	Grate, Right (Not Shown)
*Check Grate underside to verify Part # Do not mix grates.	

DCT365 Sub-Cooktop Assembly



Item	NG Part #	LP Part #	NGH Part #	LPH Part #	Description
1	103666	103666	103666	103666	Tube, Burner, LR
2	105855	105855	105855	105855	Tube, Burner, LF
3	105855	105855	105855	105855	Tube, Burner, Center, Simmer
4	103666	103666	103666	103666	Tube, Burner, Center, Main
5	105855	105855	105855	105855	Tube, Burner, RF
6	105855	105855	105855	105855	Tube, Burner, RR
7	82317	82317	82317	82317	Spark Module, 5 point
8	102595-05	102595-06	102595-07	102595-08	Assy, Injector Holder, 9K
9	102592-05	102592-06	102592-07	102592-08	Assy, Injector Holder, 12K
10	102589-06	102589-08	102589-07	102589-09	Assy, Injector Holder, 18K
11	72765	72765	72765	72765	Power Supply Cord
12	103554	103554	103554	103554	'O' Ring, Burner, 9.5k/15k
13	103551	103551	103551	103551	Gasket, Burner, 9.5k
14	103552	103552	103552	103552	Gasket, Burner, 15k
15	103553	103553	103553	103553	Gasket, Dual Burner, 18k
16	103686	103686	103686	103686	Re-ignition Plug, Single
17	103661	103661	103661	103661	Re-ignition Plug, Dual
18	92310-001	92310-001	92310-001	92310-001	Gasket Foam
19	92310-003	92310-003	92310-003	92310-003	Gasket Foam
-	106856	106856	106856	106856	Set, Igniter Wire (not shown)

DCT365 Manifold Assembly



Item	NG Part #	LP Part #	NGH Part #	LPH Part #	Description
1	701358-01	701358-02	701358-03	701358-04	Assy, Manifold w/Valves
2	103688-07	103688-08	103688-09	103688-08	Valve, Single, Alum.
3	103688-01	103688-03	103688-05	103688-03	Valve, Single, Alum.
4	103689-01	103689-02	103689-03	103689-04	Valve, Dual, Brass (center)
5	106857	106857	106857	106857	Protector, Spill
6	106851	106851	106851	106851	Cover, Chassis, Box
7	106868	106868	106868	106868	Gasket Foam
8	83138	83138	83138	83138	Tie, Cable
9	106855	106855	106855	106855	Wire Harness
10	83048	83048	83048	83048	Nut, Hex Keps, #8-32
11	83263	83263	83263	83263	Screw, Phil Wfr, #8 x 3/8"
12	62834	72980	62834	72980	Regulator, 5/10"
13	83458	83458	83458	83458	Reducer Bushing
14	103789	103789	103789	103789	Micro-switch
15*	103786*	103786*	103786*	103786*	Clamp
16	103787	103787	103787	103787	Screw

* For center valve (Item 4), use clamp part # 103785. Clamp for center burner valve is different.