



The Life of the Kitchen.®

A faded background image of a kitchen. In the center is a white gas stove with a white bowl on top. To the right is a white microwave oven. The kitchen counter is cluttered with various items like bottles and a basket. The overall scene is brightly lit, creating a clean and modern atmosphere.

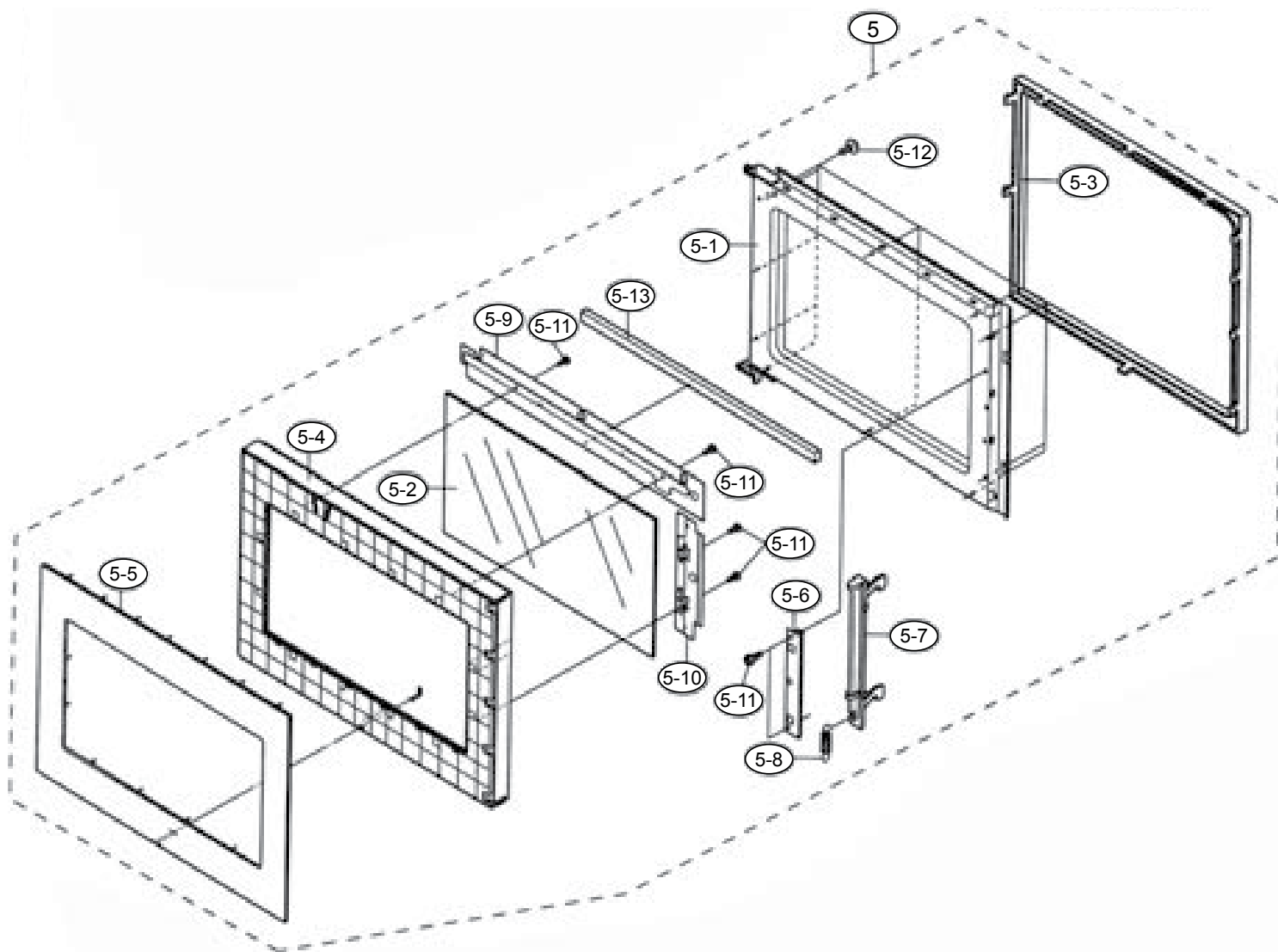
PARTS CATALOG

DCM24 Convection Microwave Oven

Page	Description
2	Door Assembly
3	Control Panel Assembly
4	Chassis Assembly
5	Chassis and Electrical Parts
6	Screws/Fasteners/Misc. Parts

Revised 02-20-2015

DCM24 Microwave Door Assembly



Item	Part #	Description
5	66509B	Complete door assy (Black) ¹
	66509S	Complete door assy (Stainless) ¹
	66509R	Complete door assy (White) ¹
5-1	66512	Door panel assy ¹
5-2	66513	Door glass (Black, Stainless)
	66514	Door glass (White)
5-3	66515	Choke cover ¹
5-4	66516	Door frame (Black, Stainless) ¹
	66517	Door frame (White) ¹

Item	Part #	Description
5-5	66518B ² (105372 ³)	Door decoration (Black) ¹
	66518S ^{2,4} (106887 ³)	Door decoration (Stainless) ¹
	66518R	Door decoration (White) ¹
5-6	66521	Latch angle ¹
5-7	66522	Latch head
5-8	66523	Spring
5-9	66524	Thermal plate upper
5-10	66525	Thermal plate right
5-13	66526	Cushion

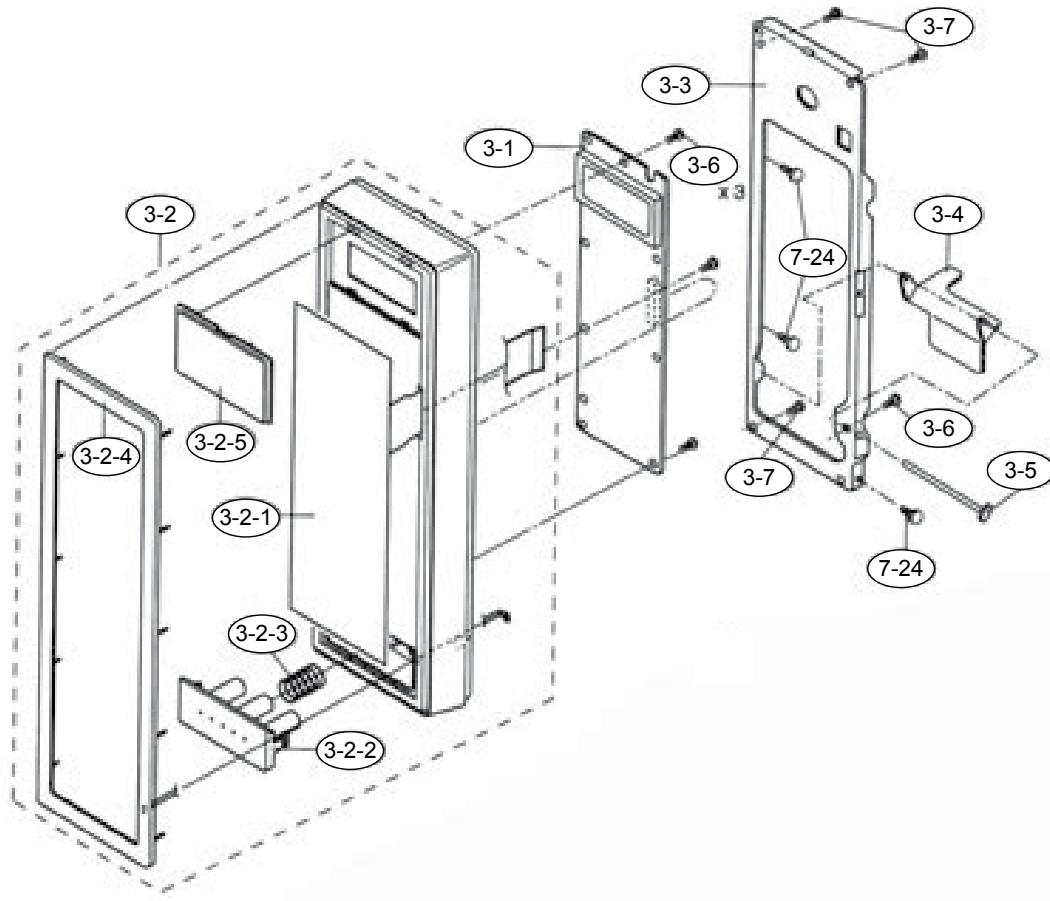
¹ May cause undue microwave exposure.

² Before revision X-E.

³ Revision X-E and later.

⁴ Obsolete, order complete door.

DCM24 Microwave Control Panel Assembly

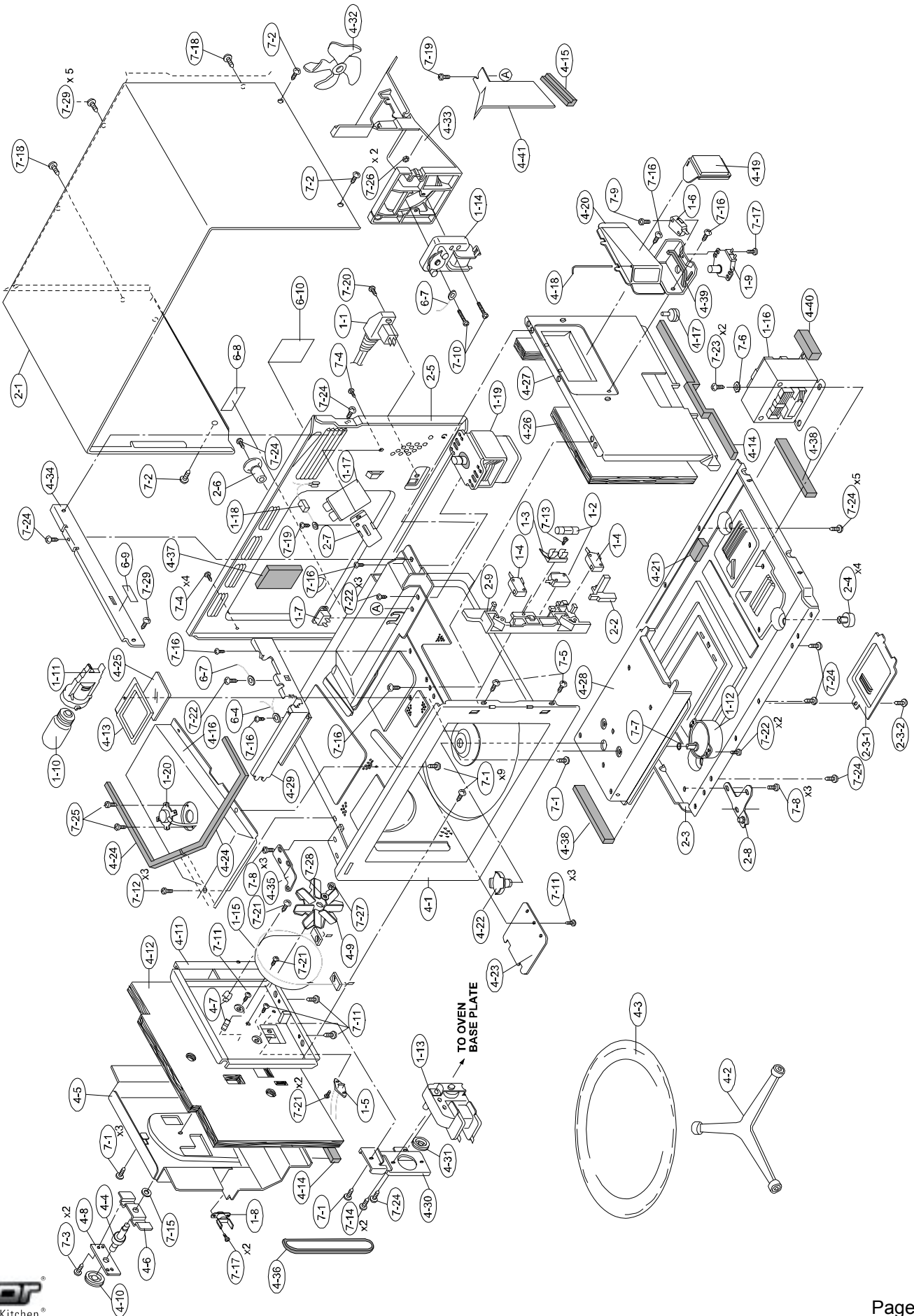


Item	Part #	Description
3-1	66402	Control unit
3-2	66403B ¹	Panel assy, black
	66403S ²	Panel assy, stainless
	66403R	Panel assy, white
3-2-1	66406	Key unit (Black)
	66407	Key unit (White)
3-2-2	66408	Open button (Black)
	66409	Open button (White)
3-2-3	66410	Open button spring
3-2-4	66411S	Control panel trim
3-4	66416	Open lever
3-5	66417	Open shaft

¹ Order P/N 106830 on units with S/N X-E-9421100 or after.

² Order P/N 106829 on units with S/N X-E-9151000 or after.

DCM24 Chassis Assembly



DCM24 Chassis Parts

Item	Part #	Description
1-1	103754	Power supply cord
1-2	66179	Monitor fuse and micro-switch assy
1-3	66373	Fuse holder
1-4	66374	Micro switch a
1-5	66375	Thermistor assy
1-7	66376	Temp. fuse 150_c
1-8	66377	Thermal cut out
1-9	66378	Damper motor
1-10	76233	Oven light
1-11	66380	Oven lamp socket
1-12	66388	Turntable motor ¹
1-13	66381	Conv m. 120
1-14	66382	Fan motor 120
1-15	66383	Heater
1-16	66384	H.v. transformer
1-17	66385	High voltage capacitor ¹
1-18	66386	Hv rectifier assy ¹
1-19	66387	Magnetron ¹
1-20	66389	Ah sensor assy ^{1, 2}
2-1	66390B	Outer case cabinet, black
	66390BLK	Outer case cabinet, black ³
	66390R	Outer case cabinet, white
	66390S	Outer case cabinet, stainless
2-3	66393	Bottom plate assy
2-3-1	66394	Turntable motor cover
2-4	66395	Foot
2-5	66396	Back plate
2-6	66397	Cord holder
2-7	66398	Hv capacitor holder
2-8	66399	Lower oven hinge
2-9	66400	Latch hook ²
2-10	66401	Latch lever ²
4-1	N/A	Cavity Sub Assy.
4-2	66464	Roller Assy.
	702190 ⁴	Roller Assy. ⁴
4-3	102427	Turntable Tray
	108486 ⁴	Turntable Tray ⁴
4-4	66466	Bearing Assy.
4-5	66467	Thermal Cover Left
4-6	66468	Bearing Mounting Plate
4-7	66469	Heater Element Holder

Item	Part #	Description
4-8	66470	Bearing Holder Plate
4-9	66471	Convection Fan
4-10	66472	Pully (f)
4-11	66473	Heater Duct
	66474	Air Guide (a)
	66475	Air Guide (b)
	66476	Air Guide (c)
4-12	66477	Thermal Insulation 1
4-13	66478	Glass Mount Plate
4-14	66479	Cushion
4-15	66480	Cushion
4-16	66481	Steam Duct Assy.
4-17	66482	Damper Cam
4-18	66483	Damper Shaft
4-19	66484	Cushion
	66485	Cushion
	66486	Damper
4-20	66487	Damper Duct
4-21	66488	Rubber Cushion
4-22	106393	Turntable Coupling
4-23	66490	Wave Guide Cover
4-24	66491	Cushion
	106396 ³	Cushion ³
4-25	66492	Light Glass
4-26	66493	Thermal Insulation
4-27	66494	Thermal Cover Right
4-28	66495	Divide Plate Low
4-29	66496	Divide Plate Right
4-30	66497	C Motor Mount Angle
4-31	66498	Pully (m)
4-32	66499	Fan Blade
4-33	66500	Cooling Fan Duct
4-34	66501	Chassis Support
4-35	66502	Oven Hinge (upper)
4-36	66503	Convection Fan Belt
4-37	66504	Thermal Protection Sht.
4-38	66505	Cushion
	106395 ³	Cushion ³
4-39	66506	Cushion
4-40	66507	Cushion
4-41	66508	Mg Rectifier Plate
4-43	106397	Cusion (Not Shown)
-	101989	Noise Filter Board (Not Shown)



¹ Used in voltage more than 250V

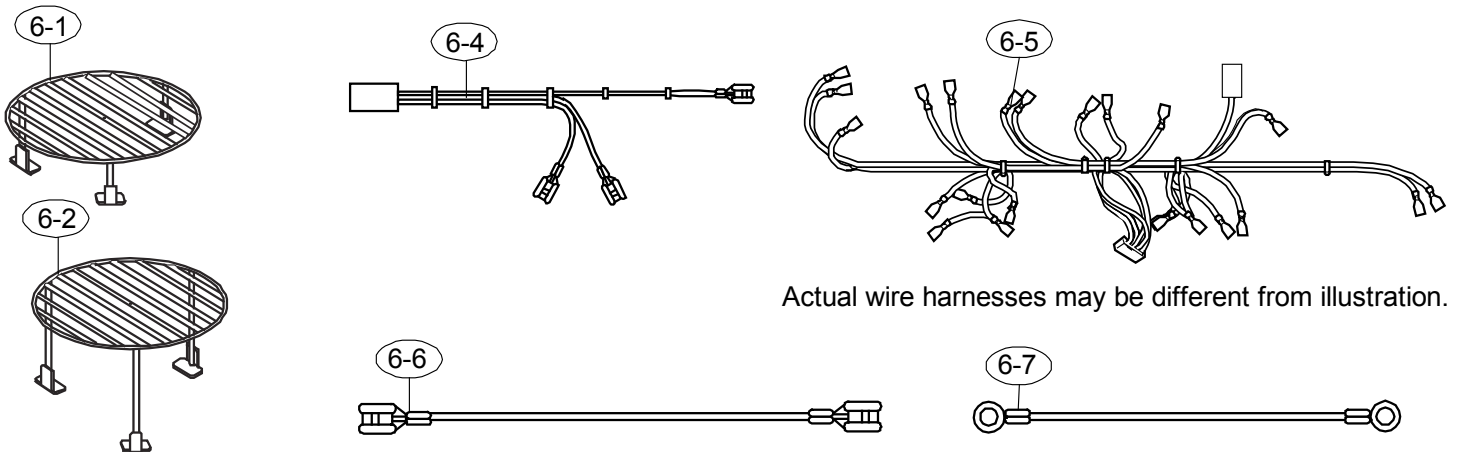
² May cause undue microwave exposure

³ S/N ending in 06265670 and later

⁴ S/N ending in 14281443 and later

DCM24 Screws, Fasteners, Misc. Parts

Misc. Parts



Item	Part #	Description
6-1	66527	Low rack assy
6-2	66528	High rack assy
6-4	66530	Thermistor harness
6-5	66531	Main wire harness
6-6	66532	High voltage wire b ¹
6-7	66533	Grounding wire

¹ Used in voltage more than 250V.

Screws/Fasteners

Item	Part #	Description
7-4	66423	Screw, 4 mm x 8 mm
7-5	66536	Special screw
7-6	66424	Special Screw
7-7	66539	Special washer
7-8	66540	Special Screw
7-9	66428	Screw; 3 mm x 14 mm
7-10	66429	Screw; 4 mm x 25 mm
7-11	66775	Screw; 4 mm x 6 mm
7-12	66431	Screw; 4 mm x 8 mm
7-13	66432	Screw; 4 mm x 10 mm
7-14	66433	Screw; 4 mm x 6 mm
7-15	66541	Washer
7-16	66435	Screw; 4 mm x 8 mm

Item	Part #	Description
7-17	66436	Screw; 3mm x 6mm
7-18	66542	Special Screw
7-19	66437	Screw; 4mm x 8mm
7-20	66438	Screw; 4mm x 12mm
7-21	66439	Screw; 3 mm x 6 mm
7-22	66440	Screw; 4 mm x 8 mm
7-23	66441	Screw; 6 mm x 14 mm
7-24	66442	Screw; 4 mm x 12 mm
7-25	66443	Screw; 3 mm x 8 mm
7-26	66444	Nut; 4 mm x 3.2 mm
7-27	66445	Nut; 4 mm x 3.2 mm
7-28	66446	Washer; 4 mm x 1 mm